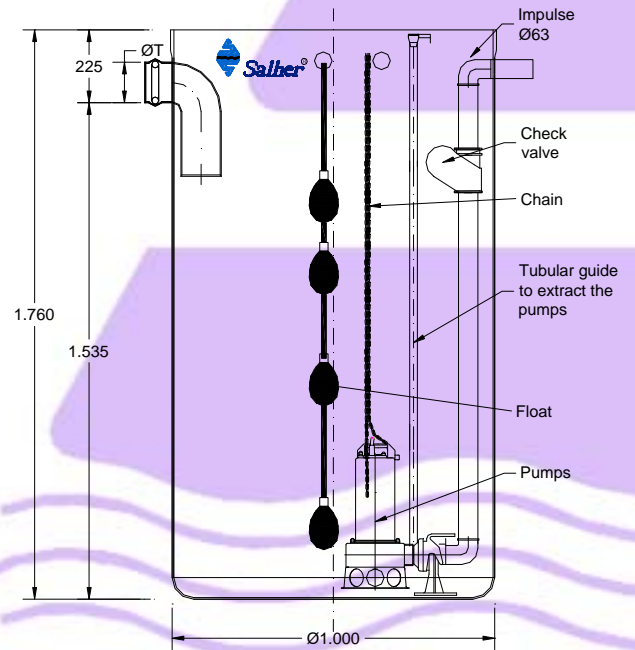
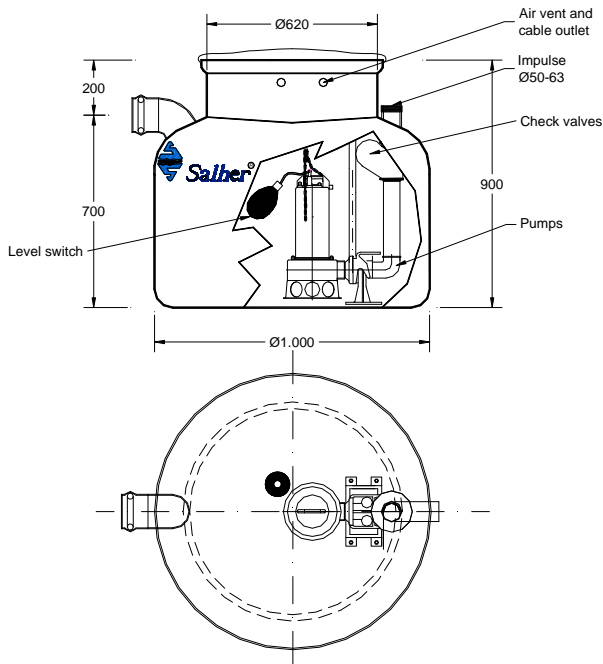


SMALL RANGE
REF: CVC-PB-A

Pumping stations for small flows in accordance with the UN-EN-12050-1 Standard. The CVC-PB-A-1 model has only one monophasic pump, with built-in level regulator.

For the other models, the basic model includes a body made of Glass Fiber Reinforced Polyester (GFRP), 2 pumps with alternate mechanism, 4 level regulators, check valves and lock valves. Pumps are automatically connected to the idler pulley when the deposit is full.



6

REF.	Total Capacity [liters]	Effective capacity [liters]	REF. PUMP	Pumps Units/kW/tension	Ø [mm]	Height [mm]	Ø T [mm]
CVC-PB-A-1	500	470	1	1 x 0.5 kW II	1.000	900	110-125
CVA-PB-A-2	1.380	1.200	2	2 x 0.6 kW III	1.000	1.760	110-160
CVA-PB-A-3	1.380	1.200	3	2 x 0.9 kW III	1.000	1.760	110-160

PUMP CHARACTERISTICS: VORTEX IMPELLER

Pump	Nominal Power (kW)	Tension (V)	Intensity (A)	Flow													Ø Solids pass.	
				L/min	0	50	100	150	200	250	300	400	500	550	600	650		700
				M³/h	0	3	6	9	12	15	18	24	30	33	36	39		42
1	0.5	230V M	3.15	MWC	8	6,5	5,2	3,4	2	0,2								40
2	0.6	400V T	1.55		9	7,7	6,4	5	3,8	2,3	1							40
3	0.9	400V T	2.3		11	10	9	7,8	6,3	5	3,8	1						40