

## GEM-SOL COIL



### General Description

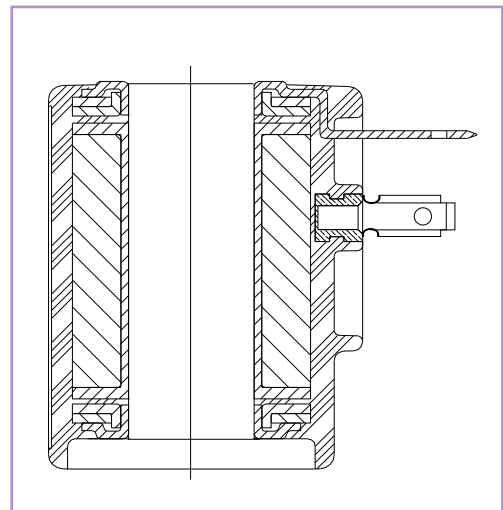
The GEM-SOL coil is designed to be mounted on the "operator" to set up a solenoid valve.

The coil, including its magnetic circuit, is encapsulated in high temperature resistant nylon to withstand humidity and heavy duty requirements.



### Notes

- The coil should not be energized without being assembled on operator.
- All GEM-SOL coils are designed to operate at  $\pm 10\%$  of normal voltage.
- Our engineering department is able to design coils to any special requirement, they can then be produced in any quantity specified.
- GEM-SOL coils are suitable to work at 100% ED, however when energizing AC8W or DC10W coils for a long time, the temperature developed may affect solenoid seals. Please consult our technical sales department to get further information on the use of lower power coils or Viton seals.
- For outdoor applications or when the coil is exposed to high humidity, we recommend the use of impregnated coils. Please contact our technical sales department for specific requirements.



### How to Order

#### Example : GEM-B-341

Is a GEM-SOL Coil 24V AC 5.5W  
50 Hz with connector.

GEM-B	Voltage	Power	Connector
6	1	AC8W 50Hz	1 without
12	2	AC8W 60Hz	2 with
24	3	DC10W	3 with LED
48	4	AC5.5W 50Hz	4 with bi color LED
110	5	AC5.5W 60Hz	5 with bi color LED
120	6	AC2.5W	6 flying leads
230	7	DC5.5W	7 coil
240	8	DC3.5W	8 with 1/2" Hub
other	9		



## Technical Specifications

Coil winding insulation:	H 180°
Temp Range:	-20°C to 150°C
Duty cycle:	100% ED. (Coil temp 70°C at 20°C ambient)
Protection:	IP65 with connector
Voltage range:	Standard industrial voltage 6 to 415VAC or DC
Voltage variation:	Nominal ±10%, over voltage category II
Power consumption:	AC - see table DC 10W, 5.5W, 3.5W
Electric connection:	AMP pins, DIN 46242, 2 poles + 1 earth 2 flying leads, AWG18 300mm length
Junction box:	DIN 43650
Cable exit:	PG9 or 1/2" NPT
Assembly:	In any position
Fixing:	One nut G1/4" hexagonal 19mm
Weight:	100gr.

Power Consumption Table (AC)

Type	Inrush	Holding
8W	26VA-13W	16VA-8W
5.5W	16VA-8W	12VA
2.5	2.5W	2.5W

## Dimensions

