

# Electrically operated valves

Series MC-07 for manifold mounting, 5/2- and 5/3-way  
1200 NI/min (1.219 Cv)



## Order code

MC-07-510-HN-712

Series and function

## Coil options

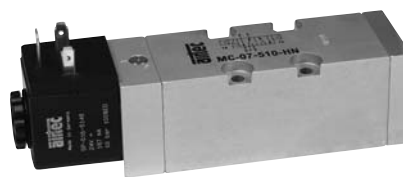
without plug socket 28-ST-03

712 = 24 V DC, 4.8 W

722 = 24 V AC, 7.9/5.5 VA

726 = 115 V AC, 7.9/5.5 VA

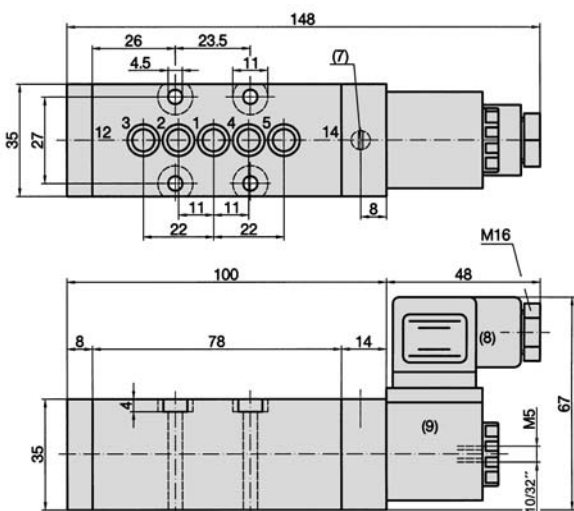
727 = 230 V AC, 7.9/5.5 VA



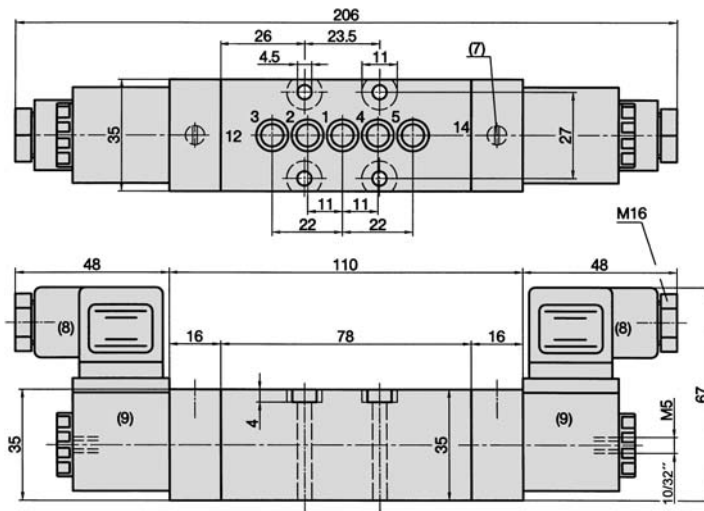
## Design, function and technical data

Spool valve actuated by an electrical signal.

### MC-07-510-HN



### MC-07-520-HN, MC-07-530-HN, MC-07-533-HN



**Note:** Plug socket(s) not included in scope of delivery.

- 1 = pressure inlet
- 2, 4 = outlets
- 3, 5 = exhausts
- (7) = manual override (detent) can be repositioned by 180°
- (8) = plug socket can be repositioned by 4 x 90°
- (9) = solenoid coil can be repositioned by 4 x 90°

Order number	MC-07-510-HN	MC-07-520-HN	MC-07-530-HN	MC-07-533-HN
Please complete according to order code.				
Function	5/2-way single solenoid	5/2-way double solenoid	5/3-way center position closed	5/3-way center position exhausted
Connection	sub-base mounting			
Nominal size	7 mm			
Flow rate	1200 NI/min (1.219 Cv)			
Pressure range	1,5 ... 10 bar (22 ... 145 psi)	2 ... 10 bar (29 ... 145 psi)	3 ... 10 bar (43 ... 145 psi)	
Response time at 6 bar	on 15 ms off 19 ms	14 ms	on 15 ms off 22 ms	
Temperature range	- 10 °C ... + 70 °C (+ 14 °F ... + 158 °F)			
Materials	Body: Al (anodized), Seals: NBR and POM, Inner parts: Al, stainless steel, brass			
Medium	Compressed air in accordance with ISO 8573-1:2001, Class 7 4 – and free of aggressive additives			
Degree of protection	IP 65 according to EN 60529			
Weight	0.470 kg (1.036 lbs.)	0.660 kg (1.455 lbs.)		

## Solenoid coil, plug socket, actuator



Standard coil  
23-SP-016-...  
page 4.280



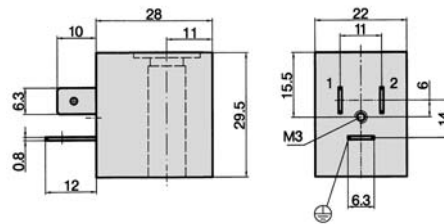
Standard plug socket  
28-ST-03  
page 4.282



Standard actuator  
23-R-013

# Accessories for electrically operated valves

## Solenoid coils



### Solenoid coils with connection pattern pursuant to DIN EN 175301-803 Shape B

Order number	23-SP-011-411	23-SP-011-412	23-SP-011-422	23-SP-011-426	23-SP-011-427	23-SP-012-431	23-SP-012-432
Standard voltage	12 V DC	24 V DC	24 V AC	115 V AC	230 V AC	12 V DC	24 V DC
Power consumption DC	4.2 W	4.2 W				2.2 W	2.2 W
Power consumption 50 Hz			4 VA	4 VA	4 VA		
Degree of protection	IP 65 according to EN 60529 with connected plug socket						
Duty cycle	100 %						
Temperature range	- 20 °C ... + 50 °C (- 4 °F ... + 122 °F)						
Voltage tolerance	± 10 %						
Standard for series	MS-18, M-04, M-05, M-07, M-22, KM-09, KM-10, MF-05, MF-07, MN-06, KN-05, MI-01, MI-02, MI-03						

Other voltages on request.

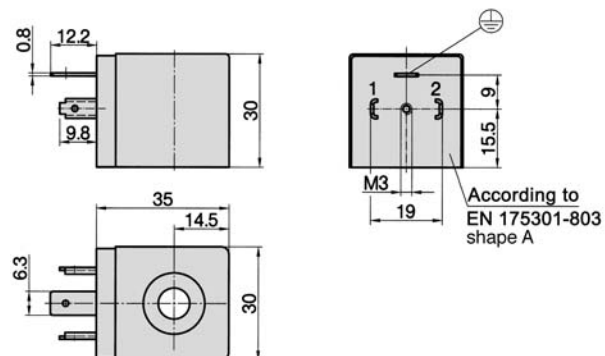
### Solenoid coils with connection pattern pursuant to DIN EN 175301-803 Shape B

(with enhanced humidity resistance)

Order number	23-SP-011-1-711	23-SP-011-1-712	23-SP-011-1-712	23-SP-011-1-722	23-SP-011-1-725	23-SP-011-1-727	23-SP-012-1-732
Standard voltage	12 V DC/24 V AC	24 V DC	48 V AC	12 V DC/24 V AC	110 V AC	230 V AC	24 V DC
Power consumption DC	4.6 W	4.8 W	-	5.5 W	-	-	2.5 W
Power consumption 50 Hz	7.1 VA	-	7.7 VA	8.9 VA	8.5 VA	7.9 VA	
Degree of protection	IP 65 according to EN 60529 with connected plug socket *1						
Duty cycle	100 %						
Temperature range	- 20 °C ... + 50 °C (- 4 °F ... + 122 °F)						
Voltage tolerance	± 10 %						
Standard for series	KMX-09, KMX-10, ICK-09, ICK-10, KN-55, KNX-55, ICKN-55						

\*1: IP67 pursuant to EN 60529 with plug socket and sealing set 20-SP-011/012-02

### Solenoid coils with connection pattern pursuant to DIN EN 175301-803 Shape A



Order number	23-SP-016-712	23-SP-016-722	23-SP-016-726	23-SP-016-726	23-SP-016-727	23-SP-016-727
Standard voltage	24 V DC	24 V AC	110 V AC	115 V AC	230 V AC	110 V DC
Power consumption DC	4.5 W	-	-	-	-	5.3 W
Power consumption 50 Hz	-	8.0 VA	7.6 VA	8.6 VA	7.9 VA	-
Degree of protection	IP 65 according to EN 60529 with connected plug socket					
Duty cycle	100 %					
Temperature range	- 20 °C ... + 50 °C (- 4 °F ... + 122 °F)					
Voltage tolerance	± 10 %					
Standard for series	MC-07					

# Accessories for electrically operated valves

## Solenoid coils



### Solenoid coils with connection pattern pursuant to DIN EN 175301-803 Shape B (cranked contacts)



<b>Order number</b>	<b>23-SP-011-G-412</b>	<b>23-SP-011-G-427</b>
<b>Standard voltage</b>	24 V DC	230 V AC
<b>Power consumption DC</b>	4.2 W	
<b>Power consumption 50 Hz</b>		4 VA
<b>Degree of protection</b>	IP 65 according to EN 60529 with connected plug socket	
<b>Duty cycle</b>	100 %	
<b>Temperature range</b>	- 20 °C ... + 50 °C (- 4 °F ... + 122 °F)	
<b>Voltage tolerance</b>	± 10 %	

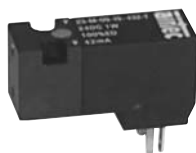
### Solenoid coils with connection pattern pursuant to DIN EN 175301-803 Shape C

<b>Degree of protection</b>	IP 65 according to EN 60529 with connected plug socket
<b>Duty cycle</b>	100 %
<b>Temperature range</b>	- 20 °C ... + 50 °C (- 4 °F ... + 122 °F)
<b>Voltage tolerance</b>	± 10 %
<b>Standard for series</b>	BM-01, BM-02



<b>Order number</b>	<b>23-M-09-19-461-T</b>	<b>23-M-09-19-462-T</b>	<b>23-M-09-19-452-T</b>	<b>23-M-09-19-456-T</b>	<b>23-M-09-19-457-T</b>
<b>Standard voltage</b>	12 V DC	24 V DC	24 V AC	115 V AC	230 V AC
<b>Power consumption</b>	1 W	1 W	3 VA	3 VA	3 VA
<b>Ambient temperature</b>	- 10 °C ... + 50 °C (+ 14 °F ... + 122 °F)				
<b>Manual override</b>	non detented				
<b>Position of manual override</b>	Side of the contacts				

<b>Order number</b>	<b>23-M-09-19-461-R</b>	<b>23-M-09-19-462-R</b>	<b>23-M-09-19-452-R</b>	<b>23-M-09-19-456-R</b>	<b>23-M-09-19-457-R</b>
<b>Standard voltage</b>	12 V DC	24 V DC	24 V AC	115 V AC	230 V AC
<b>Power consumption</b>	1 W	1 W	3 VA	3 VA	3 VA
<b>Ambient temperature</b>	- 10 °C ... + 50 °C (+ 14 °F ... + 122 °F)				
<b>Manual override</b>	detented				
<b>Position of manual override</b>	Side of the contacts				



<b>Order number</b>	<b>23-M-09-19-431-T</b>	<b>23-M-09-19-432-T</b>	<b>23-M-09-19-422-T</b>	<b>23-M-09-19-426-T</b>	<b>23-M-09-19-427-T</b>
<b>Standard voltage</b>	12 V DC	24 V DC	24 V AC	115 V AC	230 V AC
<b>Power consumption</b>	1 W	1 W	3 VA	3 VA	3 VA
<b>Manual override</b>	non detented				
<b>Position of manual override</b>	Opposite the contacts				

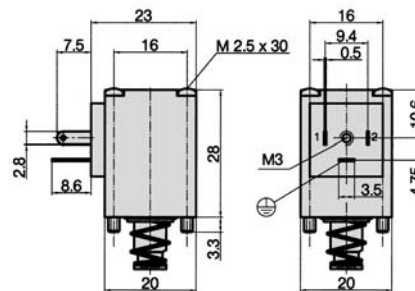
<b>Order number</b>	<b>23-M-09-19-431-R</b>	<b>23-M-09-19-432-R</b>	<b>23-M-09-19-422-R</b>	<b>23-M-09-19-426-R</b>	<b>23-M-09-19-427-R</b>
<b>Standard voltage</b>	12 V DC	24 V DC	24 V AC	115 V AC	230 V AC
<b>Power consumption</b>	1 W	1 W	3 VA	3 VA	3 VA
<b>Manual override</b>	detented				
<b>Position of manual override</b>	Opposite the contacts				

# Accessories for electrically operated valves

## Solenoid coils and plug sockets

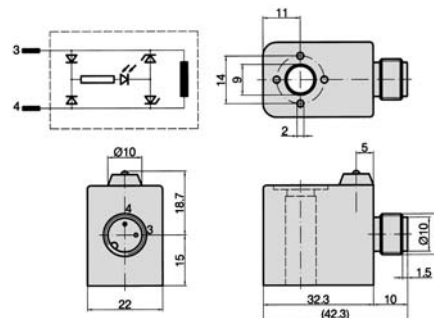


### Solenoid coils with connection pattern pursuant to DIN EN 175301-803 Shape C



<b>Order number</b>	<b>23-M-20-411</b>	<b>23-M-20-412</b>
<b>Standard voltage</b>	12 V DC	24 V DC
<b>Power consumption</b>	2 W	2 W
<b>Degree of protection</b>	IP 65 according to EN 60529 with connected plug socket	
<b>Duty cycle</b>	100 %	
<b>Temperature range</b>	- 20 °C ... + 50 °C	
<b>Voltage tolerance</b>	± 10 %	
<b>Standard for series</b>	MS-20, MF-04	

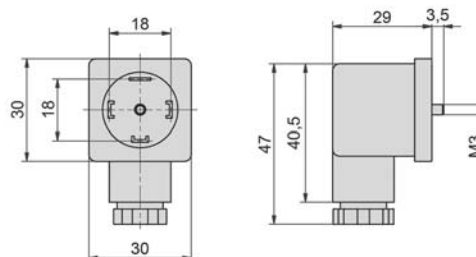
### Solenoid coils with M12 connection, with LED and protective circuit.



<b>Order number</b>	<b>23-SP-011-5-O12</b>	<b>23-SP-012-5-O32</b>
<b>Standard voltage</b>	24 V DC	24 V DC
<b>Power consumption</b>	4.8 W	2.5 W
<b>Degree of protection</b>	IP 65 according to EN 60529 with connected cable	
<b>Duty cycle</b>	100 %	
<b>Temperature range</b>	- 20 °C ... + 50 °C	
<b>Voltage tolerance</b>	± 10 %	

### Plug sockets pursuant to DIN EN 175301-803 Shape A

(2pol. + PE, 27 x 27 mm, Contact distance 18 mm)



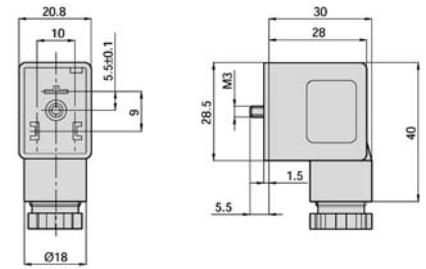
<b>Order number</b>	<b>28-ST-03</b>	<b>28-ST-11-112</b>
<b>Standard voltage</b>	all	24 V DC
<b>Protective circuit</b>	no	yes
<b>Status indicator</b>	without	yes
<b>Degree of protection</b>	IP 65 pursuant to EN 60529 requires a flat gasket	
<b>Connecting cable</b>	without	
<b>Ø Connecting cable</b>	6 – 8 mm	
<b>Max. wire cross section</b>	1,5 mm <sup>2</sup>	
<b>for coil</b>	23-SP-016	

# Accessories for electrically operated valves

## Plug sockets for coil

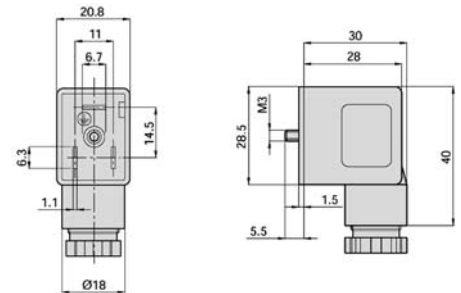


**Plug sockets pursuant to DIN EN 175301-803 Shape B with cranked contacts** (2pol. + PE, 21 x 28 mm, Contact distance 10 mm)



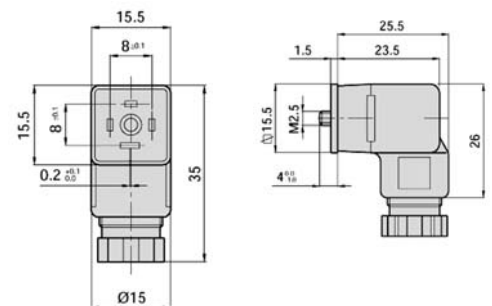
<b>Order number</b>	<b>28-ST-01-G</b>
<b>Standard voltage</b>	all
<b>Protective circuit</b>	no
<b>Status indicator</b>	without
<b>Degree of protection</b>	IP 65 pursuant to EN 60529 requires a flat gasket
<b>Connecting cable</b>	without
<b>Ø Connecting cable</b>	6 – 8 mm
<b>Max. wire cross section</b>	1,5 mm <sup>2</sup>
<b>for coil</b>	23-SP-011-G

**Plug sockets pursuant to DIN EN 175301-803 Shape B** (2pol. + PE, 21 x 28 mm, Contact distance 11 mm)



<b>Order number</b>	28-ST-01	28-ST-04-112	28-ST-04-127	28-ST-06-112	28-ST-06-127	28-ST-06-K3-112	28-ST-06-K3-127
<b>Standard voltage</b>	all	24 V DC	230 V AC	24 V DC	230 V AC	24 V DC	230 V AC
<b>Protective circuit</b>	no	no	no	yes	yes	yes	yes
<b>Status indicator</b>	without	yes	yes	yes	yes	yes	yes
<b>Degree of protection</b>	IP 65 pursuant to EN 60529 requires a flat gasket						
<b>Connecting cable</b>	without					3 m	3m
<b>Ø Connecting cable</b>	6 – 8 mm					–	–
<b>Max. wire cross section</b>	1,5 mm <sup>2</sup>					–	–
<b>for coil</b>	23-SP-011, 23-SP-011-1						

**Plug sockets pursuant to DIN EN 175301-803 Shape C** (2pol. + PE, 15,5 x 15,5 mm, Contact distance 8 mm)



<b>Order number</b>	28-ST-02-1	28-ST-09-1-112	28-ST-09-1-127	28-ST-10-1-112	28-ST-10-1-127	28-ST-10-1-K3-112
<b>Standard voltage</b>	all	24 V DC	230 V AC	24 V DC	230 V AC	24 V DC
<b>Protective circuit</b>	no	no	no	yes	yes	yes
<b>Status indicator</b>	without	yes	yes	yes	yes	yes
<b>Degree of protection</b>	IP 65 pursuant to EN 60529 requires a flat gasket					
<b>Connecting cable</b>	without					3 m
<b>max. Ø Connecting cable</b>	6,5 mm					–
<b>Max. wire cross section</b>	0,75 mm <sup>2</sup>					–
<b>for coil</b>	23-M-09-19					

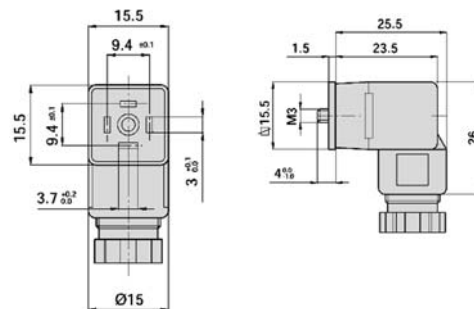
# Accessories for electrically operated valves

## Plug sockets for coil



### Plug sockets pursuant to DIN EN 175301-803 Shape C

(2pol. + PE, 15,5 x 15,5 mm, Contact distance 9,4 mm)

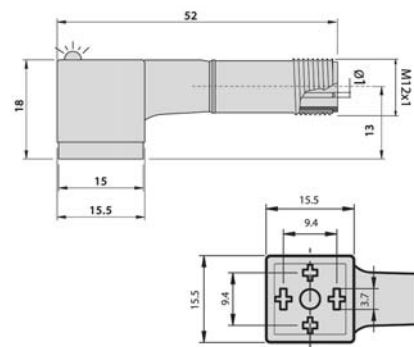
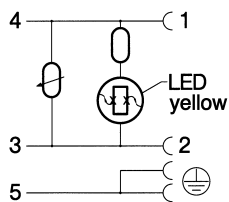


Order number	28-ST-02-01	28-ST-09-112	28-ST-09-127	28-ST-10-112	28-ST-10-127	28-ST-10-K3-112	28-ST-10-K3-127
Standard voltage	all	24 V DC	230 V AC	24 V DC	230 V AC	24 V DC	230 V AC
Protective circuit	no	no	no	yes	yes	yes	yes
Status indicator	without	yes	yes	yes	yes	yes	yes
Degree of protection	IP 65 pursuant to EN 60529 requires a flat gasket						
Connecting cable	without					3 m	3m
max. Ø Connecting cable	6,5 mm					-	-
Max. wire cross section	0,75 mm <sup>2</sup>					-	-
for coil	23-M-20						

### Plug sockets with integrated adaptor for M8/M12

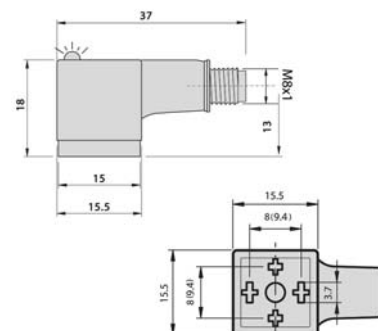
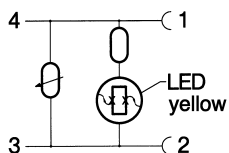
(2pol. + PE, 15,2 x 15,8 mm, Contact distance 8 bzw. 9,4 mm)

#### Plug socket 28-ST-02-2-07



2 = not connected    4 = +24 Volt (+)  
3 = 0 Volt (-)        5 = ⊕

#### Plug socket 28-ST-02-1-05 and 28-ST-02-2-05



2 = +24 Volt (+)  
3 = 0 Volt (-)  
4 = not connected

Order number	28-ST-02-1-05	28-ST-02-2-05	28-ST-02-2-07
Standard voltage	24 V DC		
Protective circuit	yes		
Status indicator	yes		
Degree of protection	IP 65 pursuant to EN 60529 requires a flat gasket		
Contact distance	8 mm	9,4 mm	9,4 mm
for plug sockets	M8	M8	M12
for coil	23-M-09-19	23-M-20	