



IE1

ALLUMINIO - ALUMINIUM

SPECIFICHE TECNICHE 2 POLI
TECHNICAL SPECIFICATION 2 POLE

Motor Type	Rated output		Speed r/min	Current A			Efficiency $\eta\%$	Power factor COS ϕ	Tn Nm	Tst/Tn	Tm/Tn	Is/In	moment of inertia (J) kgm ²	Noise LwdB(A)	kg
	kW	HP		380V	400V	415V									
MA561-2	0.09	0.12	2750	0.32	0.3	0.29	62.0	0.70	0.31	2.1	2.2	5.2	0.00018	57	3.6
MA562-2	0.12	0.18	2750	0.38	0.36	0.72	67.0	0.72	0.41	2.1	2.2	5.2	0.00023	57	3.9
MA631-2	0.18	0.25	2720	0.53	0.5	0.18	65.0	0.80	0.61	2.2	2.3	5.5	0.00031	58	4.8
MA632-2	0.25	0.37	2720	0.69	0.66	0.63	68.0	0.81	0.96	2.2	2.3	5.5	0.0006	58	5.1
MA711-2	0.37	0.5	2740	0.90	0.94	0.91	70.0	0.81	1.26	2.2	2.3	6.1	0.00075	61	6.0
MA712-2	0.55	0.75	2740	1.4	1.33	0.28	73.0	0.82	1.88	2.2	2.3	6.1	0.0009	61	6.5
MA801-2	0.75	1	2840	1.83	1.73	1.68	75.1	0.83	2.54	2.2	2.3	6.1	0.0012	64	8.7
MA802-2	1.1	1.5	2840	2.58	2.45	2.37	77.0	0.84	3.72	2.2	2.3	7.0	0.0014	64	9.5
MA90S-2	1.5	2	2840	3.43	3.26	3.14	79.0	0.84	5.14	2.2	2.3	7.0	0.0029	69	11.8
MA90L-2	2.2	3	2840	4.85	4.61	4.44	81.1	0.85	7.40	2.2	2.3	7.0	0.0055	69	13.5
MA100L-2	3	4	2860	6.33	6.01	5.79	82.8	0.87	9.95	2.2	2.3	7.5	0.0109	73	21.0
MA112M-2	4	5.5	2880	8.18	7.77	7.49	84.4	0.88	13.22	2.2	2.3	7.5	0.0126	74	28.0
MA132S1-2	5.5	7.5	2900	11.1	10.5	10.1	85.9	0.88	18.11	2.2	2.3	7.5	0.0377	77	39.0
MA132S2-2	7.5	10	2900	14.9	14.1	13.6	87.2	0.88	24.70	2.2	2.3	7.5	0.0499	77	44.5
MA160M1-2	11	15	2930	21.2	20.2	19.4	88.5	0.89	35.85	2.2	2.3	7.5	0.055	83	69.5
MA160M2-2	15	20	2930	28.6	27.2	26.2	89.5	0.89	48.89	2.2	2.3	7.5	0.075	83	78.0
MA160L-2	18.5	25	2930	34.6	32.9	31.7	90.2	0.90	60.30	2.2	2.3	7.5	0.124	83	88.5
MA180M-2	22	30	2940	40.9	38.9	37.5	90.7	0.90	71.46	2.0	2.3	7.5	0.075	89	102.3
MA200L1-2	30	40	2950	55.4	52.6	50.7	91.5	0.90	97.12	2.0	2.3	7.5	0.124	92	119
MA200L2-2	37	50	2950	67.7	64.4	62	92.2	0.90	119.78	2.0	2.3	7.5	0.139	92	125

SPECIFICHE TECNICHE 4 POLI
TECHNICAL SPECIFICATION 4 POLE

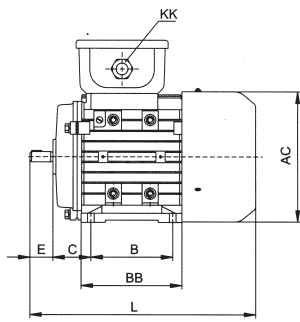
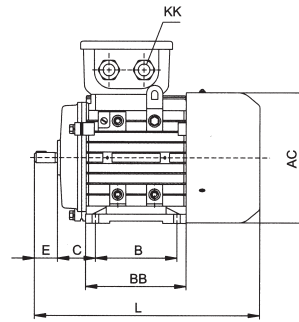
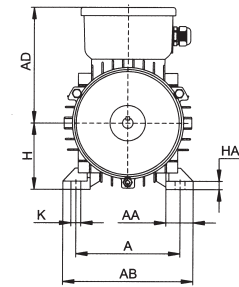
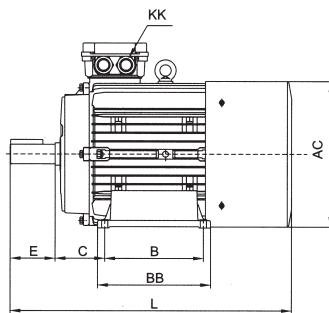
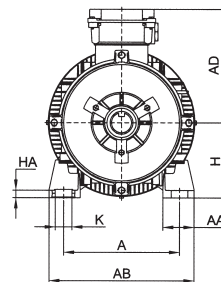
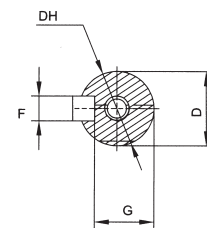
Motor Type	Rated output		Speed r/min	Current A			Efficiency $\eta\%$	Power factor COS ϕ	Tn Nm	Tst/Tn	Tm/Tn	Is/In	moment of inertia (J) kgm ²	Noise LwdB(A)	kg
	kW	HP		380V	400V	415V									
MA561-4	0.06	0.09	1325	0.28	0.27	0.26	56.0	0.58	0.43	2	2.1	4.0	0.0003	48	3.6
MA562-4	0.09	0.12	1325	0.39	0.37	0.35	58.0	0.61	0.64	2	2.1	4.0	0.0004	48	3.9
MA631-4	0.12	0.18	1310	0.44	0.42	0.41	57.0	0.72	0.84	2.1	2.2	4.4	0.0005	48	4.8
MA632-4	0.18	0.25	1310	0.62	0.59	0.57	60.0	0.73	1.26	2.1	2.2	4.4	0.0006	48	5.1
MA711-4	0.25	0.37	1330	0.79	0.75	0.72	65.0	0.74	1.73	2.1	2.2	5.2	0.0008	53	6.0
MA712-4	0.37	0.5	1330	1.12	1.06	1.02	67.0	0.75	2.56	2.1	2.2	5.2	0.0013	53	6.3
MA801-4	0.55	0.75	1390	1.57	1.49	1.43	71.1	0.75	3.75	2.3	2.3	5.2	0.0018	58	9.4
MA802-4	0.75	1	1390	2.05	1.95	1.88	73.1	0.76	5.11	2.3	2.3	6.0	0.0021	58	10.8
MA90S-4	1.1	1.5	1390	2.84	2.7	2.6	76.3	0.77	7.5	2.3	2.3	6.0	0.0023	59	12.0
MA90L-4	1.5	2	1390	3.67	3.49	3.36	78.6	0.79	10.23	2.3	2.3	6.0	0.0027	59	13.8
MA100L1-4	2.2	3	1410	5.08	4.83	4.65	81.2	0.81	14.8	2.3	2.3	7.0	0.0054	61	20.8
MA100L2-4	3	4	1410	6.72	6.39	6.15	82.7	0.82	20.18	2.3	2.3	7.0	0.0067	61	23.5
MA112M-4	4	5.5	1435	8.79	8.35	8.05	84.3	0.82	26.53	2.3	2.3	7.0	0.0095	62	29.5
MA132S-4	5.5	7.5	1440	11.7	11.1	10.7	85.8	0.83	36.48	2.3	2.3	7.0	0.0214	69	41.0
MA132M-4	7.5	10	1440	15.6	14.8	14.3	87.1	0.84	0.74	2.3	2.3	7.0	0.0296	69	47.5
MA160M-4	11	15	1460	22.5	21.4	20.6	88.5	0.84	0.74	2.3	2.3	7.0	0.0747	72	72.5
MA160L-4	15	20	1460	30	28.5	27.4	89.5	0.85	0.75	2.3	2.3	7.0	0.0918	72	85.6
MA180M-4	18.5	25	1470	36.3	34.5	33.2	90.1	0.86	120.19	2.2	2.3	7.5	0.1390	76	101
MA180L-4	22	30	1470	42.9	40.8	39.3	90.6	0.86	142.93	2.2	2.3	7.5	0.1580	76	112
MA200L-4	30	40	1470	57.9	55	53	91.5	0.86	160.96	2.2	2.3	7.2	0.2620	79	122

SPECIFICHE TECNICHE 6 POLI
TECHNICAL SPECIFICATION 6 POLE

Motor Type	Rated output		Speed r/min	Current A			Efficiency $\eta\%$	Power factor COS ϕ	Tn Nm	Tst/Tn	Tm/Tn	Is/In	moment of inertia (J) kgm ²	Noise LwdB(A)	kg
	kW	HP		380V	400V	415V									
MA631-6	0.09	0.12	840	0.52	0.49	0.47	44.0	0.60	1.80	1.8	1.9	3.5	0.00025	48	4.8
MA632-6	0.12	0.18	850	0.63	0.60	0.58	48.0	0.60	2.25	1.8	1.9	3.5	0.0004	48	5.1
MA711-6	0.18	0.25	850	0.74	0.70	0.68	56.0	0.66	1.91	1.9	2.0	4.0	0.0011	49	6.0
MA712-6	0.25	0.37	850	0.95	0.90	0.87	59.0	0.68	2.65	1.9	2.0	4.0	0.0014	49	6.3
MA801-6	0.37	0.5	885	1.30	1.23	1.19	62.0	0.70	3.93	1.9	2.0	4.7	0.0016	51	8.9
MA802-6	0.55	0.75	885	1.78	1.69	1.63	65.0	0.72	5.84	1.9	2.1	4.7	0.0019	51	10.4
MA90S	0.75	1	910	2.29	2.18	2.10	69.0	0.72	7.87	2.0	2.1	5.5	0.0029	54	12.1
MA90L-6	1.1	1.5	910	3.18	3.02	2.91	72.1	0.73	11.54	2.0	2.1	5.5	0.0035	54	13.7
MA100L-6	1.5	2	920	3.99	3.79	3.66	76.1	0.75	15.24	2.0	2.1	5.5	0.0069	58	23.0
MA112M-6	2.2	3	935	5.55	5.28	5.08	79.2	0.76	22.35	2.1	2.1	6.5	0.014	62	28.2
MA132S-6	3	4	960	7.4	7.03	6.77	81.1	0.76	29.84	2.1	2.1	6.5	0.0286	66	40.3
MA132M1-6	4	5.5	960	9.74	9.25	8.92	82.1	0.76	39.79	2.1	2.1	6.5	0.0357	66	43.0
MA132M2-6	5.5	7.5	960	12.9	12.3	11.8	84.1	0.77	54.71	2.1	2.1	6.5	0.0449	66	47.2
MA160M-6	7.5	10	970	17.2	16.3	15.7	86.1	0.77	54.71	2.1	2.1	6.5	0.081	70	70.6
MA160L-6	11	15	970	24.5	23.2	22.4	87.6	0.78	108.30	2.1	2.1	6.5	0.116	70	85.0
MA180L-6	15	20	970	31.6	30	28.9	89.1	0.81	147.68	2.1	2.1	7.0	0.207	73	105
MA200L1-6	18.5	25	980	38.5	36.6	35.3	90.1	0.81	182.14	2.1	2.0	7.0	0.315	76	115
MA200L2-6	22	30	980	44.7	42.5	40.9	90.1	0.83	216.60	2.1	2.0	7.0	0.36	76	121

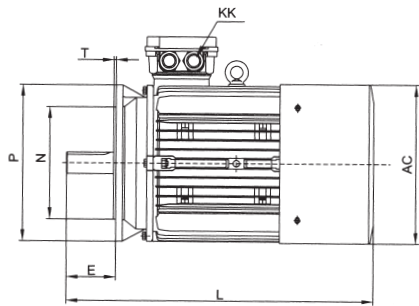
SPECIFICHE TECNICHE 8 POLI
TECHNICAL SPECIFICATION 8 POLE

Motor Type	Rated output		Speed r/min	Current A			Efficiency $\eta\%$	Power factor COS ϕ	Tn Nm	Tst/Tn	Tm/Tn	Is/In	moment of inertia (J) kgm ²	Noise LwdB(A)	kg
	kW	HP		380V	400V	415V									
MA711-8	0.09	0.12	600	0.60	0.57	0.55	40.0	0.57	1.95	1.8	1.9	2.8	0.0080	48	6.0
MA712-8	0.12	0.18	600	0.71	0.70	0.65	45.0	0.57	2.16	1.8	1.9	2.8	0.0010	48	6.3
MA801-8	0.18	0.25	645	0.88	0.84	0.80	51.0	0.61	2.5	1.8	1.9	3.3	0.0025	48	8.9
MA802-8	0.25	0.37	645	1.15	1.10	1.06	54.0	0.61	3.5	1.8	1.9	3.3	0.0030	48	10.4
MA90S-8	0.37	0.5	670	1.49	1.41	1.36	62.0	0.61	5.1	1.8	1.9	4.0	0.0051	53	12.1
MA90L-8	0.55	0.75	670	2.17	2.07	1.99	63.0	0.61	7.6	1.8	2.0	4.0	0.0065	53	13.7
MA100L1-8	0.75	1	680	2.40	2.28	2.19	71.0	0.67	10.2	1.8	2.0	4.0	0.0095	56	23.0
MA100L2-8	1.1	1.5	680	3.32	3.15	3.04	73.0	0.69	15.0	1.8	2.0	5.0	0.0110	56	25.1
MA112M-8	1.5	2	690	4.40	4.18	4.03	75.0	0.69	20.5	1.8	2.0	5.0	0.0254	59	28.2
MA132S-8	2.2	3	705	6.04	5.73	5.53	78.0	0.71	19.6	1.8	2.0	6.0	0.0314	61	40.3
MA132M-8	3	4	705	7.90	7.51	7.24	79.0	0.73	40.4	1.8	2.0	6.0	0.0395	61	45.0
MA160M1-8	4	5.5	720	10.30	9.76	9.41	81.0	0.73	53.1	1.9	2.0	6.0	0.0753	65	68.5
MA160M2-8	5.5	7.5	720	13.60	12.90	12.50	83.0	0.74	72.6	2.0	2.0	6.0	0.0931	65	76.0
MA160L-8	7.5	10	720	17.80	16.90	16.30	85.5	0.75	99.5	2.0	2.0	6.0	0.1260	65	86.2
MA80L-8	11	15	730	25.1	23.9	23	87.5	0.76	143.90	2.0	2.0	6.0	0.2030	70	101
MA200L-8	15	20	730	34.1	32.4	31.2	88.0	0.76	196.23	2.0	2.0	6.6	0.3990	73	120

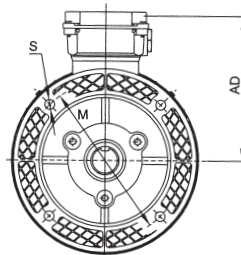
**56-90****100-160****56-160****180-200****180-200**

DIMENSIONI B3 DIMENSION B3

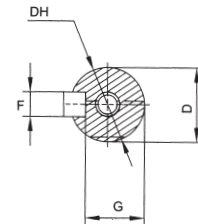
Type	A	AA	AB	BB	HA	AC	AD	B	C	D	DH	E	F	G	H	K	KK		Overall L
																	Metric	PG	
56	90	23	115	88	7	110	100	71	36	9	M4X12	20	3	7.2	56	5.8	1-M20X1.5	1-PG11	199
63	100	24	135	100	7	130	111	80	40	11	M4X12	23	4	8.5	63	7.0	1-M20X1.5	1-PG11	217
71	112	26	150	110	8	145	118	90	45	14	M5X12	30	5	11	71	7.0	1-M20X1.5	1-PG11	245
80	125	35	165	125	9	175	134	100	50	19	M6X16	40	6	15.5	80	10.0	1-M25X1.5	1-PG16	287
90S	140	37	180	125	10	195	140	100	56	24	M8X19	50	8	20.0	90	10.0	1-M25X1.5	1-PG16	315
90L	140	37	180	150	10	195	140	125	56	24	M8X19	50	8	20.0	90	10.0	1-M25X1.5	1-PG16	340
100L	160	40	205	172	11	215	160	140	63	28	M10X22	60	8	24.0	100	12.0	1-M32X1.5	1-PG21	385
112M	190	41	230	181	12	240	178	140	70	28	M10X22	60	8	24.0	112	12.0	2-M32X1.5	2-PG21	400
132S	216	51	270	186	15	275	206	140	89	38	M12X28	80	10	33.0	132	12.0	2-M32X1.5	2-PG21	483
132M	216	51	270	224	15	275	206	178	89	38	M12X28	80	10	33.0	132	12.0	2-M32X1.5	2-PG21	510
160M	254	55	320	260	18	330	255	210	108	42	M16X36	110	12	37.0	160	15.0	2-M40X1.5	2-PG29	615
160L	254	55	320	304	18	330	255	254	108	42	M16X36	110	12	37.0	160	16.0	2-M40X1.5	2-PG29	670
180M	279	75	350	315	18	355	272	241	221	48	M16X36	110	14	42.5	180	15	2-M32X1.5	2-PG29	765
180L	279	75	350	315	18	355	272	279	221	48	M16X36	110	14	42.5	180	15	2-M32X1.5	2-PG29	765
200L	318	100	398	355	24	355	272	305	133	55	M20X42	110	16	49	200	19	2-M32X1.5	2-PG36	790



56-200

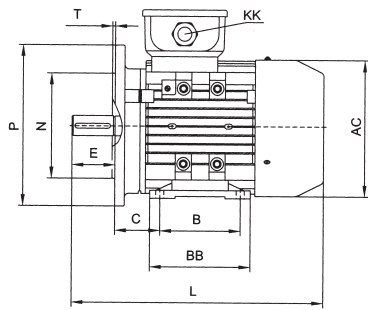


56-200

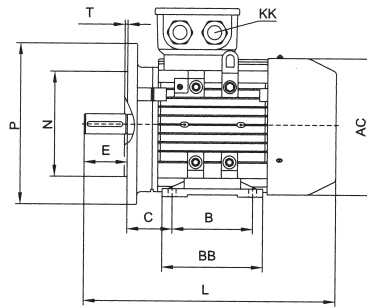


DIMENSIONI B5
DIMENSION B5

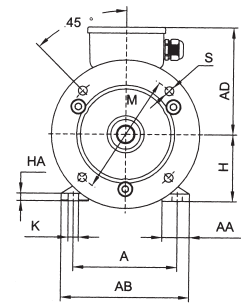
Type	HA	AC	AD	B	C	D	DH	E	F	G	H	K	KK		Overall dimensions					
													Metric	PG	L	M	N	P	S	T
56	7	110	100	71	36	9	M4X12	20	3	7.2	56	5.8	1-M20X1.5	1-PG11	199	100	80	120	7	3.0
63	7	130	111	80	40	11	M4X12	23	4	8.5	63	7.0	1-M20X1.5	1-PG11	217	115	95	140	10	3.0
71	8	145	118	90	45	14	M5X12	30	5	11	71	7.0	1-M20X1.5	1-PG11	245	130	110	160	12	3.5
80	9	175	134	100	50	19	M6X16	40	6	15.5	80	10.0	1-M25X1.5	1-PG16	287	165	130	200	12	3.5
90S	10	195	140	100	56	24	M8X19	50	8	20.0	90	10.0	1-M25X1.5	1-PG16	315	165	130	200	12	3.5
90L	10	195	140	125	56	24	M8X19	50	8	20.0	90	10.0	1-M25X1.5	1-PG16	340	165	130	200	12	3.5
100L	11	215	160	140	63	28	M10X22	60	8	24.0	100	12.0	1-M32X1.5	1-PG21	385	215	180	250	15	4.0
112M	12	240	178	140	70	28	M10X22	60	8	24.0	112	12.0	2-M32X1.5	2-PG21	400	215	180	250	15	4.0
132S	15	275	206	140	89	38	M12X28	80	10	33.0	132	12.0	2-M32X1.5	2-PG21	483	265	230	300	15	4.0
132M	15	275	206	178	89	38	M12X28	80	10	33.0	132	12.0	2-M32X1.5	2-PG21	510	265	230	300	15	4.0
160M	18	330	255	210	108	42	M16X36	110	12	37.0	160	15.0	2-M40X1.5	2-PG29	615	300	250	350	19	5.0
160L	18	330	255	254	108	42	M16X36	110	12	37.0	160	16.0	2-M40X1.5	2-PG29	670	300	250	350	19	5.0
180M	18	355	272	241	121	48	M16X36	110	14	42.5	180	15.0	2-M32X1.5	2-PG29	765	300	250	350	19	5
180L	18	355	272	279	121	48	M16X36	110	14	42.5	180	15.0	2-M32X1.5	2-PG29	765	300	250	350	19	5
200L	24	355	272	305	133	55	M20X42	110	16	49	200	19	2-M32X1.5	2-PG36	790	350	300	400	19	5



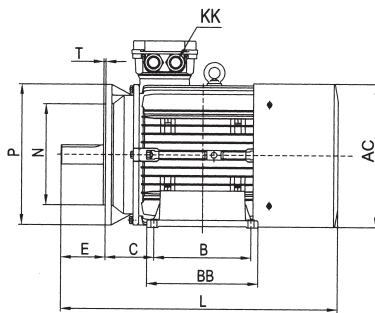
56-90



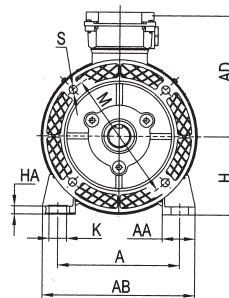
100-160



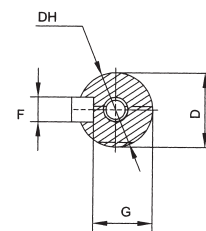
56-160



180-200

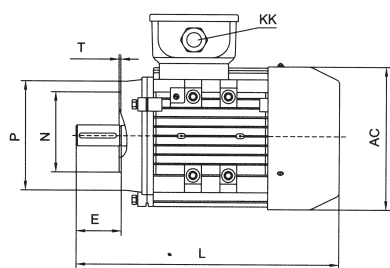


180-200

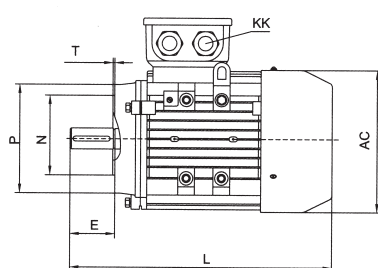


**DIMENSIONI B35
DIMENSION B35**

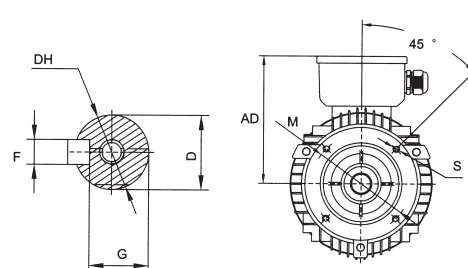
Type	A	AA	AB	BB	HA	AC	AD	B	C	D	DH	E	F	G	H	K	KK		Overall dimensions					
																	Metric	PG	L	M	N	P	S	T
56	90	23	115	88	7	110	100	71	36	9	M4X12	20	3	7.2	56	5.8	1-M20X1.5	1-PG11	199	100	80	120	7	3.0
63	100	24	235	100	7	130	111	80	40	11	M4X12	23	4	8.5	63	7.0	1-M20X1.5	1-PG11	217	115	95	140	10	3.0
71	112	26	150	110	8	145	118	90	45	14	M5X12	30	5	11	71	7.0	1-M20X1.5	1-PG11	245	130	110	160	12	3.5
80	125	35	165	125	9	175	134	100	50	19	M6X16	40	6	15.5	80	10.0	1-M25X1.5	1-PG16	287	165	130	200	12	3.5
90S	140	37	180	125	10	195	140	100	56	24	M8X19	50	8	20.0	90	10.0	1-M25X1.5	1-PG16	315	165	130	200	12	3.5
90L	147	37	180	150	10	195	140	125	56	24	M8X19	50	8	20.0	90	10.0	1-M25X1.5	1-PG16	340	165	130	200	12	3.5
100L	160	40	205	172	11	215	160	140	63	28	M10X22	60	8	24.0	100	12.0	1-M32X1.5	1-PG21	385	215	180	250	15	4.0
112M	190	41	230	181	12	240	178	140	70	28	M10X22	60	8	24.0	112	12.0	2-M32X1.5	2-PG21	400	215	180	250	15	4.0
132S	216	51	270	186	15	275	206	140	89	38	M12X28	80	10	33.0	132	12	2-M32X1.5	2-PG21	483	265	230	300	15	4.0
132M	216	51	270	224	15	275	206	178	89	38	M12X28	80	10	33.0	132	12.0	2-M32X1.5	2-PG21	510	265	230	300	15	4.0
160M	254	55	320	260	18	330	255	210	108	42	M16X36	110	12	37.0	160	15.0	2-M40X1.5	2-PG29	615	300	250	350	19	5.0
160L	254	55	320	304	18	330	255	254	108	42	M16X36	110	12	37.0	160	16.0	2-M40X1.5	2-PG29	670	300	250	350	19	5.0
180M	279	75	350	315	18	355	272	241	121	48	M16*36	110	14	42.5	180	15	2-M32X1.5	2-PG29	765	300	250	350	19	5
180L	279	75	350	315	18	355	272	279	121	48	M16*36	110	14	42.5	180	15	2-M32X1.5	2-PG29	765	300	250	350	19	5
200L	318	100	398	355	24	355	272	305	133	55	M20*42	110	16	49	200	19	2-M32X1.5	2-PG36	790	350	300	400	19	5



56-90



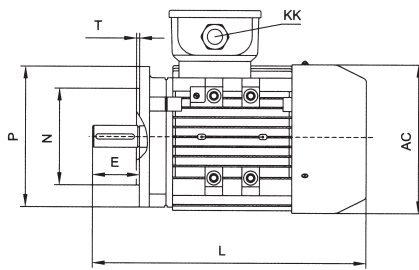
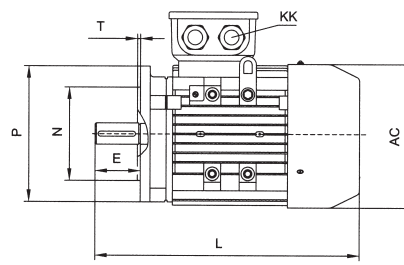
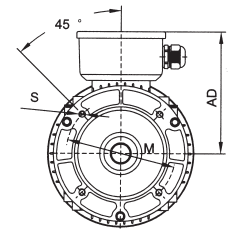
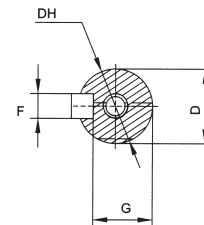
100-160



56-160

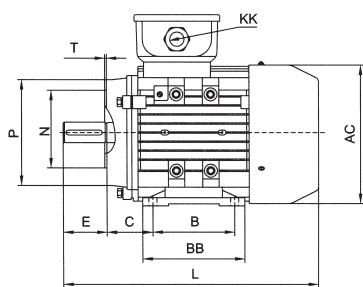
**DIMENSIONI B14A
DIMENSION B14A**

Type	AC	AD	D	DH	E	F	G	KK		L	M	N	P	S	T
								Metric	PG						
56	110	100	9	M4X12	20	3	7.2	1-M20X1.5	1-PG11	199	65	50	80	M5	2.5
63	130	111	11	M4X12	23	4	8.5	1-M20X1.5	1-PG11	217	75	60	90	M5	2.5
71	145	114	18	M5X12	30	5	11.0	1-M20X1.5	1-PG11	245	85	70	105	M6	2.5
80	175	134	19	M6X16	40	6	15.5	1-M25X1.5	1-PG16	297	100	80	120	M6	3.0
90S	195	140	24	M8X19	50	8	20.0	1-M25X1.5	1-PG16	315	115	95	140	M8	3.0
90L	195	140	24	M8X19	50	8	20.0	1-M25X1.5	1-PG16	340	115	95	140	M8	3.0
100L	215	160	28	M10X22	60	8	24.0	1-M32X1.5	1-PG21	385	130	110	160	M8	3.5
112M	240	178	28	M10X22	60	88	24.0	2-M32X1.5	2-PG21	430	130	110	160	M8	3.5
132S	275	206	38	M12X28	80	10	33.0	2-M32X1.5	2-PG21	483	165	130	200	M10	3.5
132M	275	206	38	M12X28	80	10	33.0	2-M32X1.5	2-PG21	510	165	130	200	M10	3.5
160M	330	255	42	M16X36	110	12	37.0	2-M40X1.5	2-PG29	615	215	180	250	M12	4.0
160L	330	255	42	M16X36	110	12	37.0	2-M40X1.5	2-PG29	615	215	180	250	M12	4.0

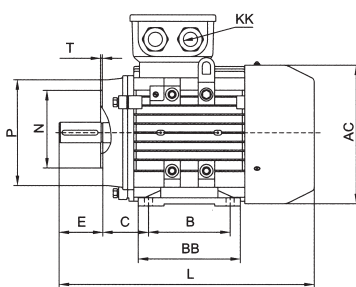
**56-90****100-160****56-160**

DIMENSIONI B14B DIMENSION B14B

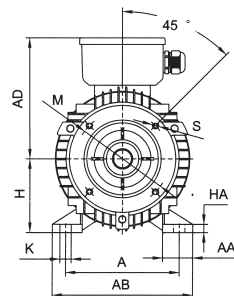
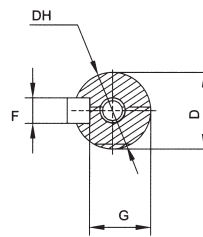
Type	AC	AD	D	DH	E	F	G	KK		L	M	N	P	S	T
								Metric	PG						
56	110	100	9	M4X12	20	3	7.2	1-M20X1.5	1-PG11	199	85	70	105	M6	2.5
63	130	111	11	M4X12	23	4	8.5	1-M20X1.5	1-PG11	217	100	80	120	M6	2.5
71	145	118	14	M5X12	30	5	11.0	1-M20X1.5	1-PG11	245	115	95	140	M8	3.0
80	175	134	19	M6X16	40	6	15.5	1-M25X1.5	1-PG16	297	130	110	160	M8	3.5
90S	195	140	24	M8X19	50	8	20.0	1-M25X1.5	1-PG16	315	130	110	160	M8	3.5
90L	195	140	25	M8X19	50	8	20.0	1-M25X1.5	1-PG16	340	130	110	160	M8	3.5
100L	215	160	28	M10X22	60	8	24.0	1-M32X1.5	1-PG21	385	165	130	200	M10	3.5
112M	240	178	28	M10X22	60	88	24.0	2-M32X1.5	2-PG21	400	165	130	200	M10	3.5
132S	275	206	38	M12X28	80	10	33.0	2-M32X1.5	2-PG21	483	215	180	250	M12	4.0
132M	274	206	38	M12X28	80	10	33.0	2-M32X1.5	2-PG21	510	215	180	250	M12	4.0
160M	330	255	42	M16X36	110	12	37.0	2-M40X1.5	2-PG29	615	265	230	300	M16	5.0
160L	330	255	42	M16X36	110	12	37.0	2-M40X1.5	2-PG29	670	265	230	300	M16	5.0



56-90



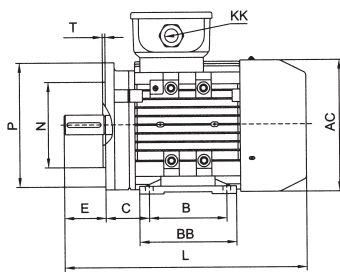
90-160



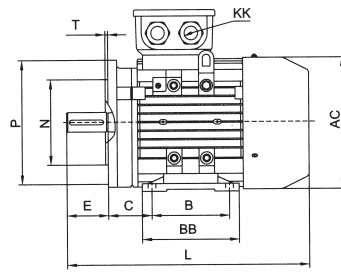
56-160

**DIMENSIONI B34A
DIMENSION B34A**

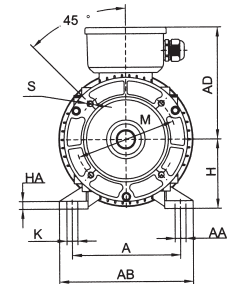
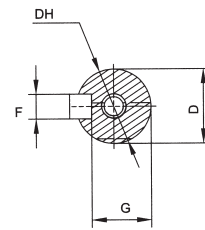
Type	AC	AD	D	DH	E	F	G	KK		L	M	N	P	S	T
								Metric	PG						
56	110	100	9	M4X12	20	3	7.2	1-M20X1.5	1-PG11	199	65	50	80	M5	2.5
63	130	110	11	M4X12	23	4	8.5	1-M20X1.5	1-PG11	217	75	60	90	M5	2.5
71	145	118	14	M5X12	30	5	11.0	1-M20X1.5	1-PG11	245	85	70	105	M6	2.5
80	175	134	19	M6X16	40	6	15.5	1-M25X1.5	1-PG16	297	100	80	120	M6	3.0
90S	195	140	24	M8X19	50	8	20.0	1-M25X1.5	1-PG16	315	115	95	140	M8	3.0
90L	195	140	24	M8X19	50	8	20.0	1-M25X1.5	1-PG16	340	315	95	140	M8	3.0
100L	215	160	29	M10X22	60	8	24.0	1-M32X1.5	1-PG21	385	130	110	160	M8	3.5
112M	240	178	28	M10X22	60	88	24.0	2-M32X1.5	2-PG21	400	130	110	160	M8	3.5
132S	275	206	38	M12X28	80	10	33.0	2-M32X1.5	2-PG21	483	165	130	200	M10	3.5
132M	275	206	38	M12X28	80	10	33.0	2-M32X1.5	2-PG21	510	165	130	200	M10	3.5
160M	330	255	42	M16X36	110	12	37.0	2-M40X1.5	2-PG29	615	215	180	250	M12	4.0
160L	330	255	42	M16X36	110	12	37.0	2-M40X1.5	2-PG29	670	215	180	250	M12	4.0



56-90



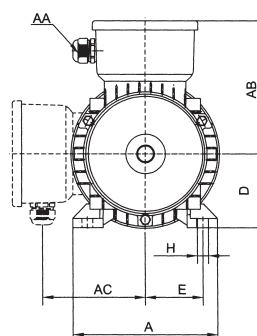
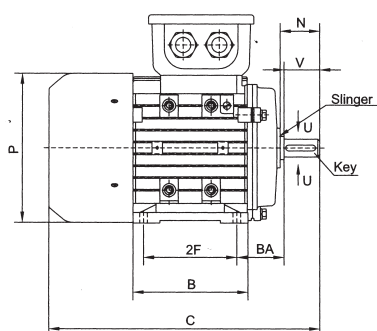
100-160



56-160

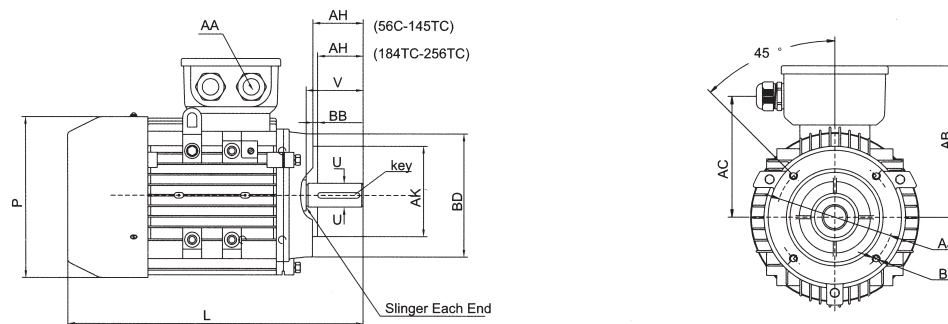
DIMENSIONI B34B DIMENSION B34B

Type	AC	AD	D	DH	E	F	G	KK		L	M	N	P	S	T
								Metric	PG						
56	110	100	9	M4X12	20	3	7.2	1-M20X1.5	1-PG11	199	85	70	105	M6	2.5
63	130	111	11	M4X12	23	4	8.5	1-M20X1.5	1-PG11	217	100	80	120	M6	2.5
71	145	118	14	M5X12	30	5	11.0	1-M20X1.5	1-PG11	245	115	95	140	M8	3.0
80	175	134	19	M6X16	40	6	15.5	1-M25X1.5	1-PG16	297	130	110	160	M8	3.5
90S	195	140	24	M8X19	50	8	20.0	1-M25X1.5	1-PG16	315	130	110	160	M8	3.5
90L	195	140	24	M8X19	50	8	20.0	1-M25X1.5	1-PG16	340	130	110	160	M8	3.5
100L	215	160	28	M10X22	60	8	24.0	1-M32X1.5	1-PG21	385	165	130	200	M10	3.5
112M	240	178	28	M10X22	60	88	24.0	2-M32X1.5	2-PG21	400	165	130	200	M10	3.5
132S	275	206	38	M12X28	80	10	33.0	2-M32X1.5	2-PG21	483	215	180	250	M12	4.0
132M	275	206	38	M12X28	80	10	33.0	2-M32X1.5	2-PG21	510	215	180	250	M12	4.0
160M	330	255	42	M16X36	110	12	37.0	2-M40X1.5	2-PG29	615	265	230	300	M16	5.0
160L	330	255	42	M16X36	110	12	37.0	2-M40X1.5	2-PG29	670	265	230	300	M16	5.0



NEMA - DIMENSIONI 143T-286T
NEMA - DIMENSION 143T-286T

NEMA Type	IEC Type	A	B	D	E	2F	H	Key	N	O	P	U	V	AA	AB	AC	BA
143T																	
145T	IEC90	6.50	5.88	3.50	2.75	5.00	0.38	0.19	2.50	7.48	8.00	0.875	2.25	0.75	6.38	5.00	2.25*
182T						4.50											
184T	IEC112	8.62	6.50	4.50	3.75	5.50	0.41	0.25	2.81	9.23	10.12	1.125	2.75	0.75	7.12	5.75	2.75
213T						5.50											
215T	IEC132	9.62	8.12	5.25	4.25	7.00	0.41	0.31	3.88	10.99	12.18	1.375	3.38	1.00	9.22	7.43	3.50
245T						8.25											
256T	IEC160	11.50	11.50	6.25	5.00	10.00	0.53	0.38	4.20	12.96	13.44	1.625	4.00	1.25	10.48	8.66	4.25
284T						9.50											
286T	IEC180	12.76	12.75	7.00	5.50	11.00	0.53	0.38	4.88	14.74	15.54	1.875	4.63	1.50	12.46	10.14	4.75



NEMA - DIMENSIONI 56C, 143TC-286TC
NEMA - DIMENSION 56C, 143TC-286TC

NEMA Type	IEC Type	A	B	D	E	2F	H	Key	O	P	U	V	AA	AB	AC	AH	AJ	AK	BB	BD	Tap BF	BA
56C	IEC90	6.50	4.95	3.50	2.44	3.00	0.34	0.19	6.81	8.02	0.625	1.88	0.75	6.36	5.00	2.06	5.88	4.50	0.13	6.48	0.38-16	2.25*
143TC						4.00																
145TC	IEC90	6.50	5.88	3.50	2.75	5.00	0.38	0.19	7.48	8.00	0.875	2.12	0.75	6.38	5.00	2.25	5.88	4.50	0.13	6.51	0.38-16	2.25
182TC						4.50																
184TC	IEC112	8.62	6.50	4.50	3.75	5.50	0.41	0.25	9.23	10.12	1.125	2.62	0.75	7.12	5.75	2.75	7.25	8.50	0.25	9.00	0.50-13	2.75
213TC						5.50																
215TC	IEC132	9.62	8.12	5.25	4.25	7.00	0.41	0.31	10.99	12.18	1.375	3.38	1.00	9.22	7.43	3.15	7.25	8.50	0.25	9.06	0.50-13	3.50
254TC						8.25																
256TC	IEC160	11.50	11.50	6.25	5.00	10.00	0.53	0.38	12.96	13.44	1.625	4.00	1.25	10.48	8.66	3.75	7.25	8.50	0.25	9.13	0.50-13	4.25
284TC						9.50																
286TC	IEC180	12.76	12.75	7.00	5.50	11.00	0.53	0.38	14.74	15.54	1.875	4.63	1.50	12.46	10.14	4.38	9.00	10.50	0.25	11.23	0.50-13	4.75

CUSCINETTI BEARINGS

Frame size	Poles	Driving End	Non-driving End
56	2 TO 4	6201 2RS-C3 (6201 ZZ-C3)	6201 2RS-C3 (6201 ZZ-C3)
63	2 TO 6	6201 2RS-C3 (6201 ZZ-C3)	6201 2RS-C3 (6201 ZZ-C3)
71	2 TO 8	6202 2RS-C3 (6202 ZZ-C3)	6202 2RS-C3 (6202 ZZ-C3)
80	2 TO 8	6204 2RS-C3 (6204 ZZ-C3)	6204 2RS-C3 (6204 ZZ-C3)
90	2 TO 8	6205 2RS-C3 (6205 ZZ-C3)	6205 2RS-C3 (6205 ZZ-C3)
100	2 TO 8	6206 2RS-C3 (6206 ZZ-C3)	6206 2RS-C3 (6206 ZZ-C3)
112	2 TO 8	6206 2RS-C3 (6206 ZZ-C3)	6206 2RS-C3 (6206 ZZ-C3)
132	2 TO 8	6208 2RS-C3 (6208 ZZ-C3)	6208 2RS-C3 (6208 ZZ-C3)
160	2 TO 8	6309 2RS-C3 (6309 ZZ-C3)	6309 2RS-C3 (6309 ZZ-C3)
180	2 TO 8	6311 ZZ-C3	6311 ZZ C3
200	2 TO 8	6312 ZZ-C3	6312 ZZ-C3