

Flat suction cup (oval)

SGON 30x10 HT1-60 G1/8-AG

<https://www.schmalz.com/10.01.05.00410>



Part no.: 10.01.05.00410

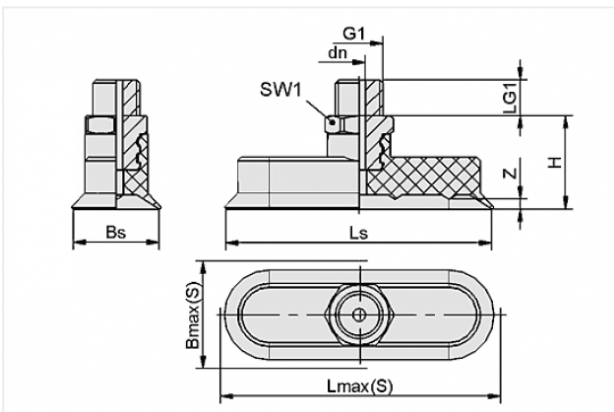
Homepage > Vacuum Technology for Automation > Vacuum Components > Vacuum Suction Cups > Flat Suction Cups (Oval) > Flat Suction Cups SGON > SGON 30x10 HT1-60 G1/8-AG

Flat suction cup (oval) for long and also curved workpieces



Dimensions (LxB): 30 x 10 mm
 Suction cup material:
 High temp material HT1
 Material hardness: 60 °Sh
 Material property: non-marking
 Nipple material: Aluminium
 Vacuum connection: G1/8"-M

Design Data



| Attribute | Value |
|-----------|---------|
| Bmax(S) | 11.5 mm |
| Bs | 9.4 mm |
| dn | 2.5 mm |
| G1 | G1/8"-M |
| H | 17 mm |
| LG1 | 8 mm |
| Lmax(S) | 30.5 mm |
| Ls | 29.4 mm |
| SW1 | 14 mm |
| Z | 1.5 mm |

Technical Data

| Attribute | Value |
|---------------------------------|------------------------|
| Suction force | 12.2 N |
| Volume | 0.516 cm ³ |
| Curve radius (min) (convex) | 7.5 mm |
| Internal hose diameter (recom.) | 4 mm |
| Dimensions (LxB) | 30 x 10 mm |
| Number of folds | 0 |
| Suction cup material | High temp material HT1 |
| Material hardness | 60 °Sh |
| Weight | 6.8 g |
| Product family | SGON |

Note:

- Suction force: The specified suction forces are theoretical values at a vacuum of -0.6 bar and with a smooth, dry workpiece surface - they do not include a safety factor
- Hose diameter: The recommended hose diameter refers to a hose length of approx. 2 m

Spare Parts



SA-NIP N022 G1/8-AG DN350

Part no. 10.01.05.00124

Suction cup connection nipple

Nipple: N 022

Thread G1: G1/8-M

Overall length: 18.5 mm

Fitting length: 5 mm

Nominal size: 3,50 mm

Material: Aluminium



SGO 30x10 HT1-60 N022

Part no. 10.01.05.00438

Flat suction cup (oval) for narrow or curved workpieces

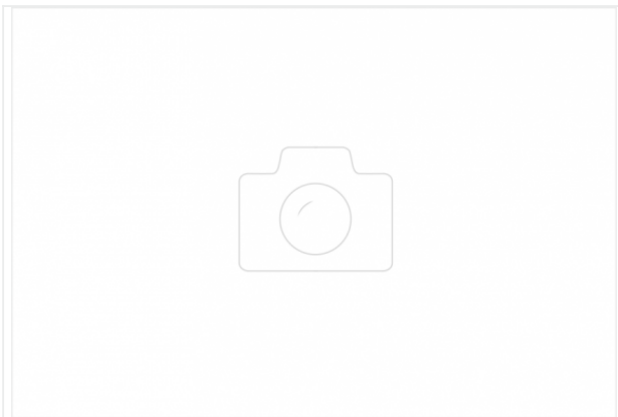
Dimensions (LxB): 30 x 10 mm

Suction cup material:

High temp material HT1

Material hardness: 60 °Sh

Material property: imprint-free



ZOKL 11-13

Part no. 10.07.10.00032

Two-ear clamp

Clamping range: 11.0 ... 13.0 mm

Material: Steel galvanised