

# INDOOR VOLTAGE TRANSFORMER

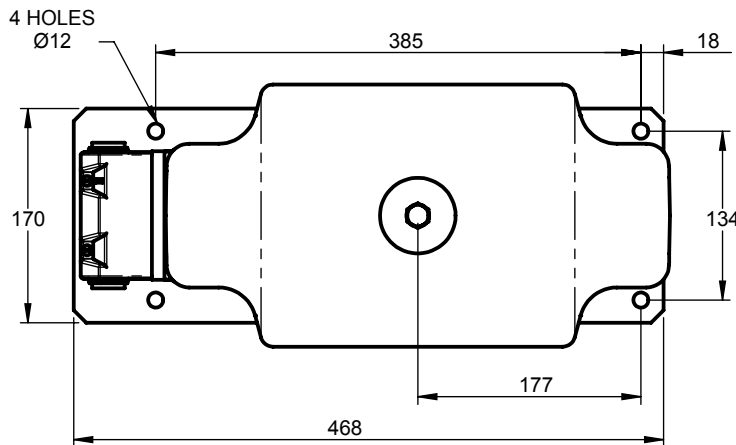
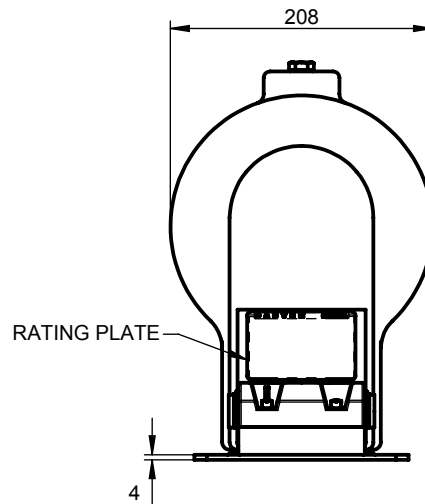
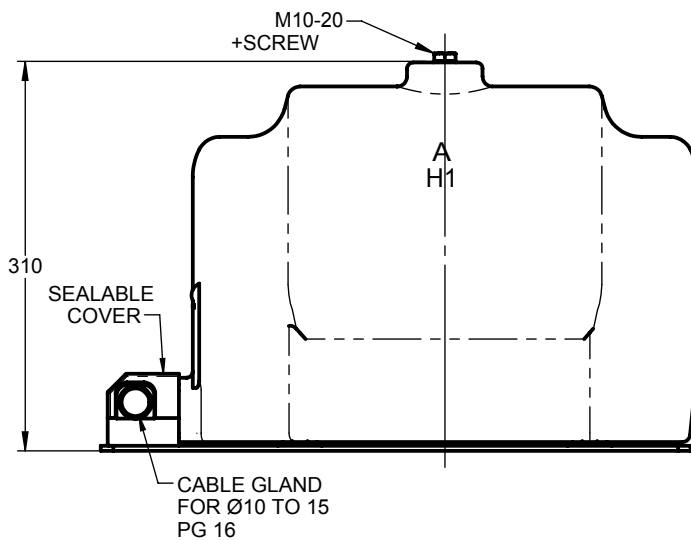
STANDARD : IEC - ANSI - CSA

INSULATION LEVEL : up to 40.5/85/185kV

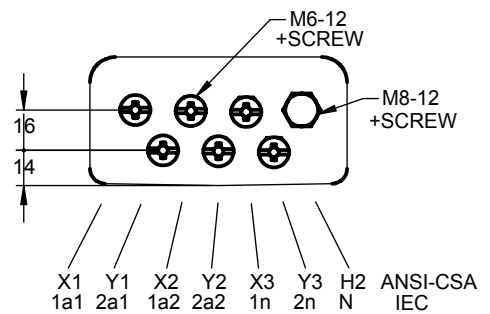
1 H.V. Bushing

## TYPE : RY7

WITH SEALABLE COVER



### SECONDARY TERMINALS



### RATED TIGHTENING TORQUE (±5%)

Primary terminals (M10) : 15 N.m  
 Secondary terminals (M8) : 8 N.m  
 Secondary terminals (M6) : 3 N.m

Approx. Weight : 43 Kg

This document is the property of SADTEM and may be changed without prior notice

Créat. : 29.09.2003



BP 655  
 59506 DOUAI CEDEX  
 FRANCE

B

Rév. : 31.07.2012

INSTRUMENT TRANSFORMERS

N°2-36652