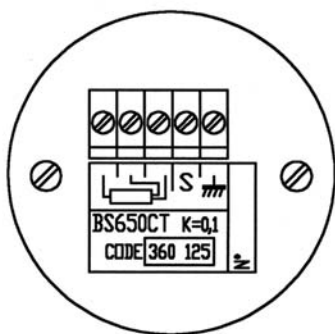
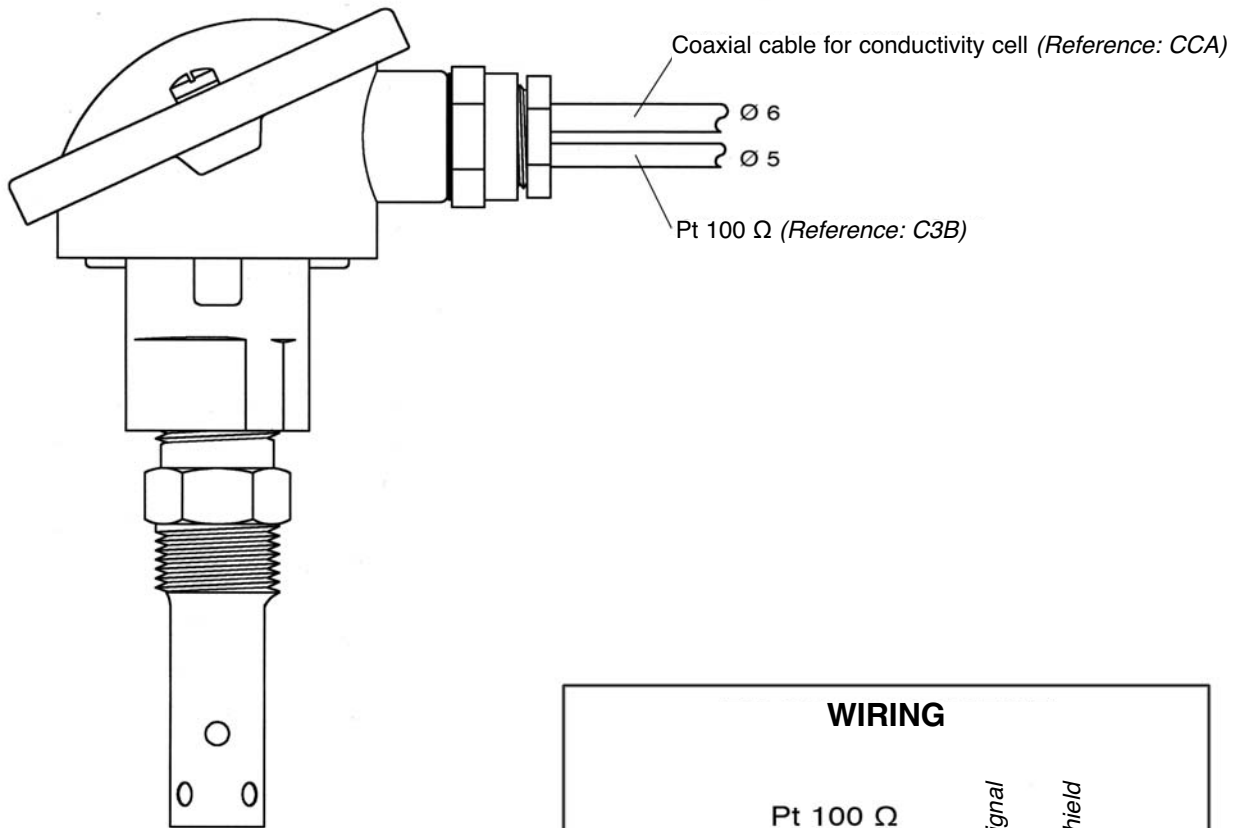
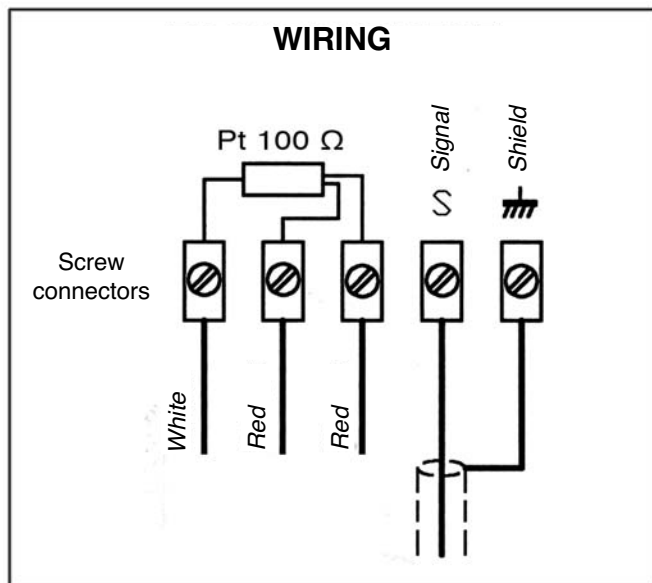


BS 650 CT

Conductivity probe



Screw connectors view



WIRING INFORMATION