

## Submersible Waste Water Pumps



Ama-Drainer A 4../10



Ama-Drainer A, C, R 522/11



Ama-Drainer A, C, R 5../10K



Ama-Drainer A, C 4../35

### Fields of Application

- Automatic drainage of pits, shafts, yards and cellars at risk of flooding
- Lowering the surface water level
- Drainage of underground passages
- Extraction of water from rivers and reservoirs
- Drainage
- Disposal of highly contaminated, fibre-containing water, e.g. from laundries, common washing facilities, washing-machines and dish washers (incl. hot water cycle), industrial businesses

### Fluid Handled

#### Ama-Drainer /10, /11 – Standard variant for waste water

Slightly contaminated water, also containing solid particles with a particle size of up to 10 or 11 mm.

#### Ama-Drainer /35 – Variant for waste water

Waste water containing long fibres and substances liable to twist and bunch, also solid particles with a particle size of up to 35 mm.

#### Ama-Drainer C – Variant for aggressive water

- Transport of seawater or water containing salt
- Transport of swimming pool water and brackish water
- Transport of aggressive waste water containing solids with a particle size of up to 35 mm

#### Ama-Drainer R – Variant for water containing oil / oil emulsions

- Transport of oil emulsions and cutting oils
- Disposal of waste water containing oil

### Operating Data

Q up to 50 m<sup>3</sup>/h, 14 l/s

H up to 21 m

t up to 40 °C; up to max. 3 minutes: 90 °C

For pumps with smaller capacities and/or heads, please refer to Type Series Booklets 2331.51-10 and 2331.52-10; for pumps with higher capacities and/or heads, please refer to Type Series Booklet 2331.54-10.

### Design / Variant

Vertical, fully floodable submersible motor pumps in close-coupled design, IP 68, single-stage, with or without level control. Cable length: 10 m. Max. immersion depth 10 m.

### Bearings

Maintenance-free, grease-lubricated deep-groove ball bearings sealed for life.

### Materials

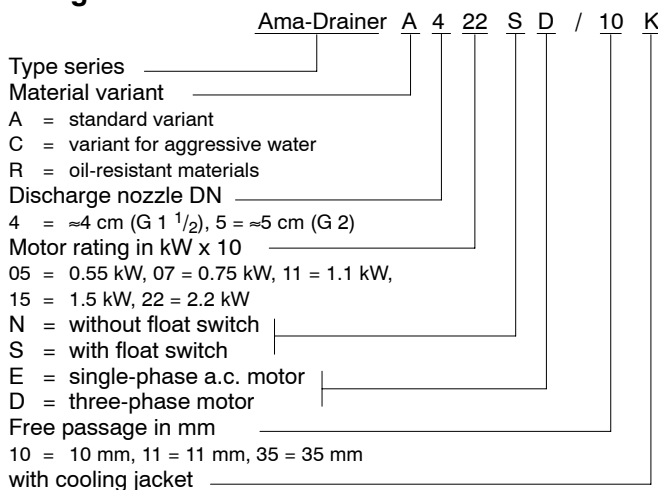
Please refer to page 9.

### Shaft Seal

Ama-Drainer	Impeller end	Motor end
All pump sizes	1 mechanical seal	1 shaft seal ring

An oil reservoir is fitted in-between the two seal elements.

### Designation



### Drive

**Ama-Drainer /10 and /35 NE/SE:** Single-phase a.c. motor with integrated temperature switch, power supply cable and shockproof plug.

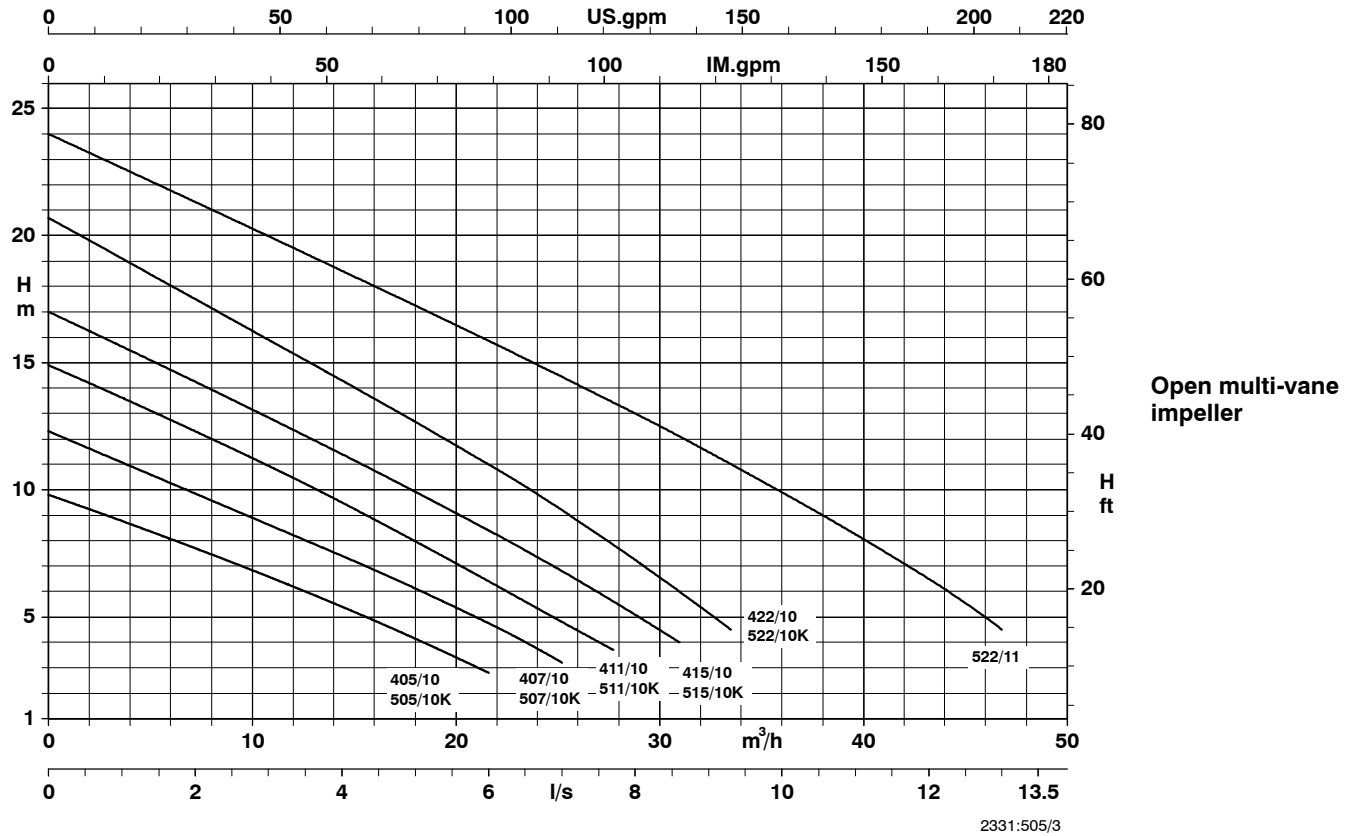
**Ama-Drainer /10, /11 and /35 SD:** Three-phase motor with integrated temperature switch, power supply cable and CEE plug (3L+PE+N) including motor contactor and phase inverter.

**Ama-Drainer /10, /11 and /35 ND:** Three-phase motor with integrated temperature switch, power supply cable without plug and with protective cap.

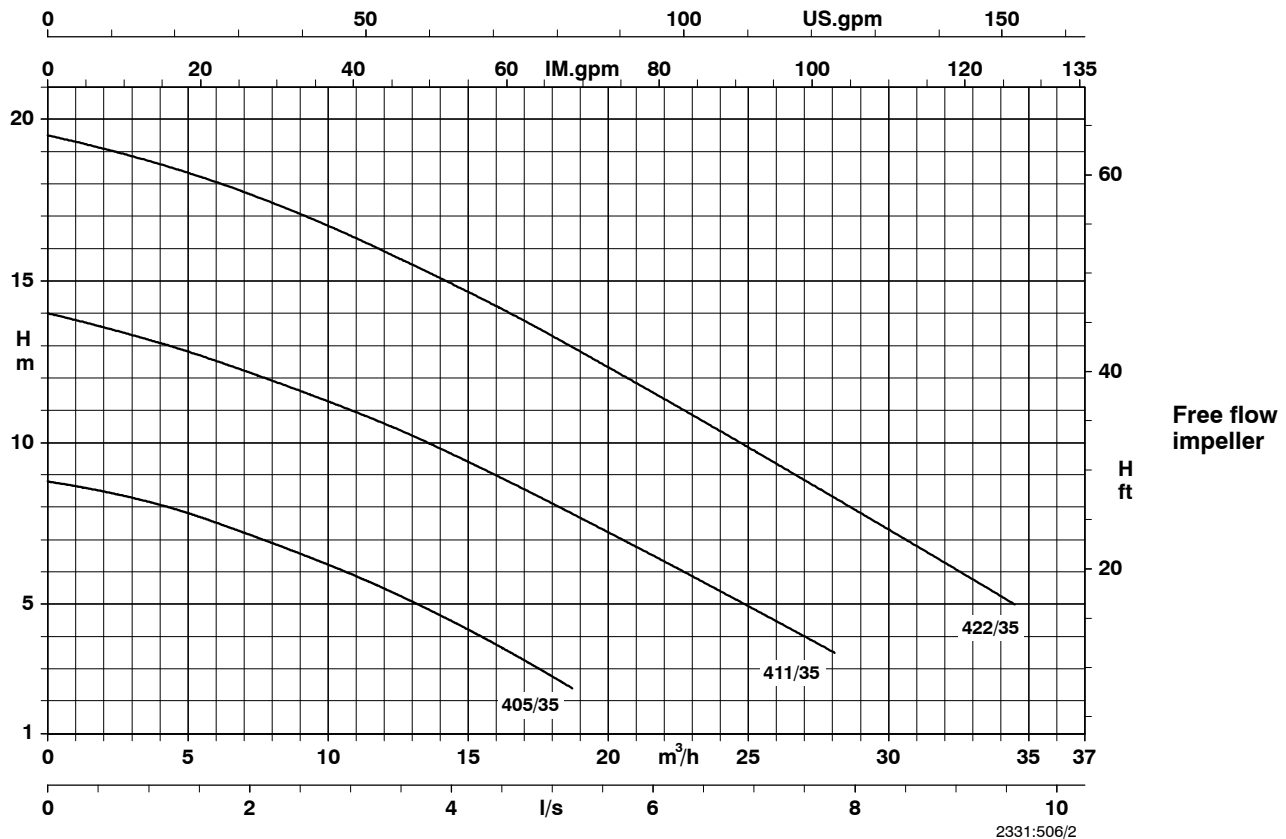
CE - EN 12 050-2

Other cable lengths, halogen-free cables, special voltages, other frequencies on request.

Ama-Drainer 405, 407, 411, 415, 422, 505, 507, 511, 515 with a free passage of 10 mm and 522 with a free passage of 11 mm Standard, C and R variants - n = 2800 1/min



Ama-Drainer 405, 411, 422 with a free passage of 35 mm Standard and C variant - n = 2800 1/min



Performance tolerance to ISO 2548 Class C (water under standard conditions)

**Ama-Drainer – standard variant, particle size 10 mm (522/11 11 mm)**

Ama-Drainer	Nominal diameter	Particle size mm	P <sub>1</sub> kW	P <sub>2</sub> kW	50 Hz		Power supply cable 10 m		Level control H07RN-F3G1 m		net ≈ kg
					1~ 220 - 240 V I <sub>N</sub> ≈ A	3~ 380 - 415 V I <sub>N</sub> ≈ A	S07RN-F6G1	H07RN-F3G1			
A 405 NE/10	G 1 1/2	10	0.9	0.55	4.1	-	-	X	-	29 128 651	12.2
A 405 SE/10			0.9		4.1	-	-	X	0.5	29 128 650	12.7
A 405 ND/10			0.76		-	1.7	X	-	-	29 128 652	13.3
A 405 SD/10			0.76		-	1.7	X	-	10	29 128 742	15.1
A 407 NE/10	G 1 1/2	10	1.26	0.75	5.5	-	-	X	-	29 128 654	12.2
A 407 SE/10			1.26		5.5	-	-	X	0.5	29 128 653	12.7
A 407 ND/10			1.01		-	1.9	X	-	-	29 128 655	13.3
A 407 SD/10			1.01		-	1.9	X	-	10	29 128 743	15.1
A 411 NE/10	G 1 1/2	10	1.45	1.1	6.55	-	-	X	-	29 128 657	14.5
A 411 SE/10			1.45		6.55	-	-	X	0.5	29 128 656	15.0
A 411 ND/10			1.54		-	2.5	X	-	-	29 128 658	13.3
A 411 SD/10			1.54		-	2.5	X	-	10	29 128 744	15.1
A 415 NE/10	G 1 1/2	10	2.07	1.5	8.95	-	-	X	-	29 128 660	14.5
A 415 SE/10			2.07		8.95	-	-	X	0.5	29 128 659	15.0
A 415 ND/10			1.88		-	3.6	X	-	-	29 128 661	15.6
A 415 SD/10			1.88		-	3.6	X	-	10	29 128 745	17.5
A 422 ND/10	G 1 1/2	10	2.9	2.2	-	4.8	X	-	-	29 128 662	15.7
A 422 SD/10			2.9		-	4.8	X	-	10	29 128 746	17.6
A 522 ND/11	G 2	11	2.9	2.2	-	4.8	X	-	-	29 128 865	22.5
A 522 SD/11			2.9		-	4.8	X	-	10	29 128 866	24.5

**Ama-Drainer – standard variant, particle size 10 mm, with cooling jacket**

Ama-Drainer	Nominal diameter	Particle size mm	P <sub>1</sub> kW	P <sub>2</sub> kW	50 Hz		Power supply cable 10 m		Level control H07RN-F3G1 m		net ≈ kg
					1~ 220 - 240 V I <sub>N</sub> ≈ A	3~ 380 - 415 V I <sub>N</sub> ≈ A	S07RN-F6G1	H07RN-F3G1			
A 505 NE/10 K	G 2	10	0.9	0.55	4.1	-	-	X	-	29 128 664	14.2
A 505 SE/10 K			0.9		4.1	-	-	X	0.5	29 128 663	14.7
A 505 ND/10 K			0.76		-	1.7	X	-	-	29 128 665	15.3
A 505 SD/10 K			0.76		-	1.7	X	-	10	29 128 747	17.1
A 507 NE/10 K	G 2	10	1.26	0.75	5.5	-	-	X	-	29 128 667	14.2
A 507 SE/10 K			1.26		5.5	-	-	X	0.5	29 128 666	14.7
A 507 ND/10 K			1.01		-	1.9	X	-	-	29 128 668	15.3
A 507 SD/10 K			1.01		-	1.9	X	-	10	29 128 748	17.1
A 511 NE/10 K	G 2	10	1.45	1.1	6.55	-	-	X	-	29 128 670	16.5
A 511 SE/10 K			1.45		6.55	-	-	X	0.5	29 128 669	17.0
A 511 ND/10 K			1.54		-	2.5	X	-	-	29 128 671	15.3
A 511 SD/10 K			1.54		-	2.5	X	-	10	29 128 749	17.1
A 515 NE/10 K	G 2	10	2.07	1.5	8.95	-	-	X	-	29 128 673	16.5
A 515 SE/10 K			2.07		8.95	-	-	X	0.5	29 128 672	17.0
A 515 ND/10 K			1.88		-	3.6	X	-	-	29 128 674	17.6
A 515 SD/10 K			1.88		-	3.6	X	-	10	29 128 750	19.5
A 522 ND/10 K	G 2	10	2.9	2.2	-	4.8	X	-	-	29 128 675	17.7
A 522 SD/10 K			2.9		-	4.8	X	-	10	29 128 751	19.6

**Ama-Drainer – standard variant, particle size 35 mm**

Ama-Drainer	Nominal diameter	Particle size mm	P <sub>1</sub> kW	P <sub>2</sub> kW	50 Hz		Power supply cable 10 m		Level control H07RN-F3G1 m		net ≈ kg
					1~ 220 - 240 V I <sub>N</sub> ≈ A	3~ 380 - 415 V I <sub>N</sub> ≈ A	S07RN-F6G1	H07RN-F3G1			
A 405 NE/35	G 1 1/2	35	0.9	0.55	4.1	-	-	X	-	29 128 677	13.2
A 405 SE/35			0.9		4.1	-	-	X	0.5	29 128 676	13.7
A 405 ND/35			0.76		-	1.7	X	-	-	29 128 678	14.4
A 405 SD/35			0.76		-	1.7	X	-	10	29 128 752	16.1
A 411 NE/35	G 1 1/2	35	1.45	1.1	6.55	-	-	X	-	29 128 680	15.5
A 411 SE/35			1.45		6.55	-	-	X	0.5	29 128 679	16.0
A 411 ND/35			1.54		-	2.5	X	-	-	29 128 681	14.4
A 411 SD/35			1.54		-	2.5	X	-	10	29 128 753	16.1
A 422 ND/35	G 1 1/2	35	2.9	2.2	-	4.8	X	-	-	29 128 682	16.9
A 422 SD/35			2.9		-	4.8	X	-	10	29 128 754	18.7

**Ama-Drainer – variant C for aggressive water, particle size 10 mm, with cooling jacket  
522/11 particle size 11 mm, without cooling jacket**

Ama-Drainer	Nominal diameter	Particle size mm	P <sub>1</sub> kW	P <sub>2</sub> kW	50 Hz		Power supply cable 10 m		Level control H07RN-F3G1 m		net ≈ kg
					1~ 220 - 240 V I <sub>N</sub> ≈ A	3~ 380 - 415 V I <sub>N</sub> ≈ A	S07RN-F6G1	H07RN-F3G1			
C 505 NE/10 K	G 2	10	0.9	0.55	4.1	-	-	X	-	29 128 697	14.2
C 505 SE/10 K			0.9		4.1	-	-	X	0.5	29 128 696	14.7
C 505 ND/10 K			0.76		-	1.7	X	-	-	29 128 698	15.3
C 505 SD/10 K			0.76		-	1.7	X	-	10	29 128 755	17.1
C 507 NE/10 K	G 2	10	1.26	0.75	5.5	-	-	X	-	29 128 700	14.2
C 507 SE/10 K			1.26		5.5	-	-	X	0.5	29 128 699	14.7
C 507 ND/10 K			1.01		-	1.9	X	-	-	29 128 701	15.3
C 507 SD/10 K			1.01		-	1.9	X	-	10	29 128 756	17.1
C 511 NE/10 K	G 2	10	1.45	1.1	6.55	-	-	X	-	29 128 703	16.5
C 511 SE/10 K			1.45		6.55	-	-	X	0.5	29 128 702	17.0
C 511 ND/10 K			1.54		-	2.5	X	-	-	29 128 704	15.3
C 511 SD/10 K			1.54		-	2.5	X	-	10	29 128 757	17.1
C 515 NE/10 K	G 2	10	2.07	1.5	8.95	-	-	X	-	29 128 706	16.5
C 515 SE/10 K			2.07		8.95	-	-	X	0.5	29 128 705	17.0
C 515 ND/10 K			1.88		-	3.6	X	-	-	29 128 707	17.6
C 515 SD/10 K			1.88		-	3.6	X	-	10	29 128 758	19.5
C 522 ND/10 K	G 2	10	2.9	2.2	-	4.8	X	-	-	29 128 708	17.7
C 522 SD/10 K			2.9		-	4.8	X	-	10	29 128 759	19.6
C 522 ND/11	G 2	11	2.9	2.2	-	4.8	X	-	-	29 128 693	23.5
C 522 SD/11			2.9		-	4.8	X	-	10	29 128 694	25.5

**Ama-Drainer – variant R for water containing oil / oil emulsions, particle size 10 mm, with cooling jacket  
522/11 particle size 11 mm, without cooling jacket**

Ama-Drainer	Nominal diameter	Particle size mm	P <sub>1</sub> kW	P <sub>2</sub> kW	50 Hz		Power supply cable 10 m		Level control H07RN-F3G1 m		net ≈ kg
					1~ 220 - 240 V I <sub>N</sub> ≈ A	3~ 380 - 415 V I <sub>N</sub> ≈ A	PUR 6x1	PUR 3x1			
R 505 NE/10 K	G 2	10	0.9	0.55	4.1	-	-	X	-	29 128 723	14.2
R 505 SE/10 K			0.9		4.1	-	-	X	0.5	29 128 722	14.7
R 505 ND/10 K			0.76		-	1.7	X	-	-	29 128 724	15.3
R 505 SD/10 K			0.76		-	1.7	X	-	10	29 128 760	17.1
R 507 NE/10 K	G 2	10	1.26	0.75	5.5	-	-	X	-	29 128 726	14.2
R 507 SE/10 K			1.26		5.5	-	-	X	0.5	29 128 725	14.7
R 507 ND/10 K			1.01		-	1.9	X	-	-	29 128 727	15.3
R 507 SD/10 K			1.01		-	1.9	X	-	10	29 128 761	17.1
R 511 NE/10 K	G 2	10	1.45	1.1	6.55	-	-	X	-	29 128 729	16.5
R 511 SE/10 K			1.45		6.55	-	-	X	0.5	29 128 728	17.0
R 511 ND/10 K			1.54		-	2.5	X	-	-	29 128 730	15.3
R 511 SD/10 K			1.54		-	2.5	X	-	10	29 128 762	17.1
R 515 NE/10 K	G 2	10	2.07	1.5	8.95	-	-	X	-	29 128 732	16.5
R 515 SE/10 K			2.07		8.95	-	-	X	0.5	29 128 731	17.0
R 515 ND/10 K			1.88		-	3.6	X	-	-	29 128 733	17.6
R 515 SD/10 K			1.88		-	3.6	X	-	10	29 128 763	19.5
R 522 ND/10 K	G 2	10	2.9	2.2	-	4.8	X	-	-	29 128 734	17.7
R 522 SD/10 K			2.9		-	4.8	X	-	10	29 128 764	19.6
R 522 ND/11	G 2	11	2.9	2.2	-	4.8	X	-	-	29 128 867	23.5
R 522 SD/11			2.9		-	4.8	X	-	10	29 128 868	25.5

**Ama-Drainer – variant C for aggressive water, particle size 35 mm**

Ama-Drainer	Nominal diameter	Particle size mm	P <sub>1</sub> kW	P <sub>2</sub> kW	50 Hz		Power supply cable 10 m		Level control H07RN-F3G1 m		net ≈ kg
					1~ 220 - 240 V I <sub>N</sub> ≈ A	3~ 380 - 415 V I <sub>N</sub> ≈ A	S07RN-F6G1	H07RN-F3G1			
<b>C 405 NE/35</b>	G 1 1/2	35	0.9	0.55	4.1	-	-	X	-	29 128 683	13.2
<b>C 405 SE/35</b>			0.9		4.1	-	-	X	0.5	29 128 684	13.7
<b>C 405 ND/35</b>			0.76		-	1.7	X	-	-	29 128 685	14.4
<b>C 405 SD/35</b>			0.76		-	1.7	X	-	10	29 128 686	16.1
<b>C 411 NE/35</b>	G 1 1/2	35	1.45	1.1	6.55	-	-	X	-	29 128 687	15.5
<b>C 411 SE/35</b>			1.45		6.55	-	-	X	0.5	29 128 688	16.0
<b>C 411 ND/35</b>			1.54		-	2.5	X	-	-	29 128 689	14.4
<b>C 411 SD/35</b>			1.54		-	2.5	X	-	10	29 128 690	16.1
<b>C 422 ND/35</b>	G 1 1/2	35	2.9	2.2	-	4.8	X	-	-	29 128 691	16.9
<b>C 422 SD/35</b>			2.9		-	4.8	X	-	10	29 128 692	18.7

**Product Features**
**to Our Customers' Benefit**
**Ama-Drainer A 405 SE/10**
**Ready to be plugged in**

**Your benefit:**  
No need for external electrical installation

**Integrated motor protection**

**Your benefit:**  
Prevents motor overloads and ensures dry-running protection

**Cooling jacket**

**Your benefit:**  
Conversion of uncooled design to cooled variant by retrofitting a cooling jacket

**Vertical discharge nozzle**

**Your benefit:**  
Easy installation  
Low space requirement  
No need for additional components such as elbows

**Clamp**

**Your benefit:**  
Hydraulic parts are easily accessible

**Locking the float switch at a specific switching point**

**Your benefit:**  
Can be done with effortless ease

**Grease-lubricated bearings sealed for life**

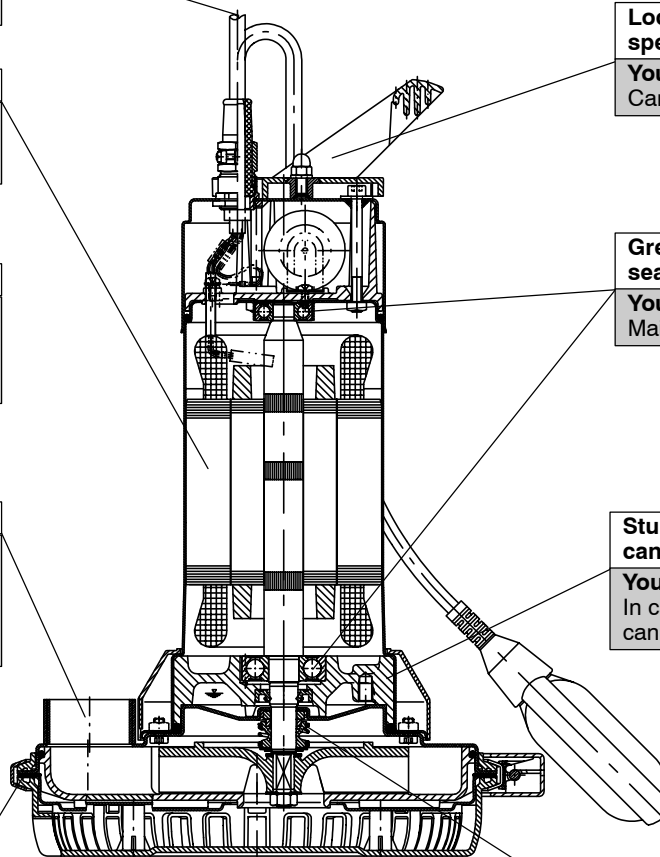
**Your benefit:**  
Maintenance-free

**Sturdy bearing bracket which can be dismantled**

**Your benefit:**  
In case of repair, all components can be easily replaced

**SiC-SiC mechanical seal with oil supply**

**Your benefit:**  
Reliable shaft seal with good dry-running characteristics

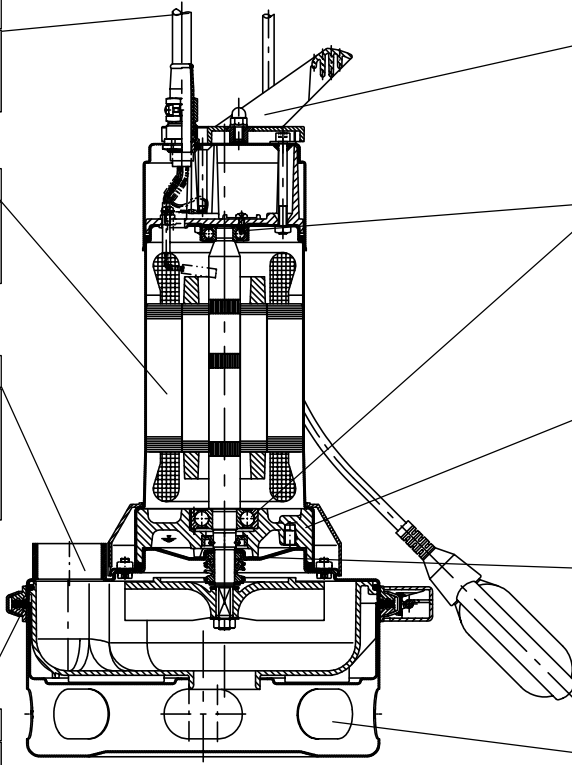


2331,137/2

**Product Features**

**to Our Customers' Benefit**

**Ama-Drainer 422 SD/35**



**Ready to be plugged in**  
Your benefit: No need for external electrical installation

**Integrated motor protection**  
Your benefit: Prevents motor overloads and ensures dry-running protection

**Vertical discharge nozzle**  
Your benefit: Easy installation  
Low space requirement  
No need for additional components such as elbows

**Clamp**  
Your benefit: Hydraulic parts are easily accessible

**Locking the float switch at a specific switching point**  
Your benefit: Can be done with effortless ease

**Grease-lubricated bearings sealed for life**  
Your benefit: Maintenance-free

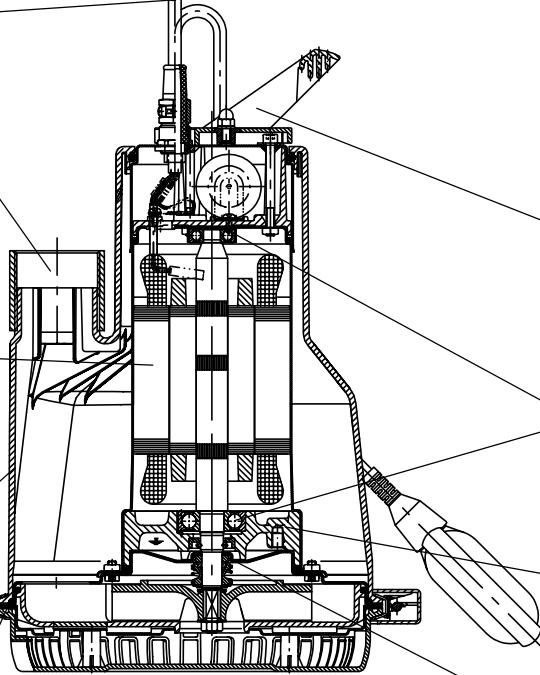
**Sturdy bearing bracket which can be dismantled**  
Your benefit: In case of repair, all components can be easily replaced

**SiC-SiC mechanical seal with oil supply**  
Your benefit: Reliable shaft seal with good dry-running characteristics

**Copes with solid particles up to a particle size of 35 mm**  
Your benefit: Broad range of applications, including waste water containing fibrous matter

2331.136/2

**Ama-Drainer 515 SE/10 K**



**Ready to be plugged in**  
Your benefit: No need for external electrical installation

**Vertical discharge nozzle**  
Your benefit: Easy installation  
Low space requirement  
No need for additional components such as elbows

**Integrated motor protection**  
Your benefit: Prevents motor overloads and ensures dry-running protection

**High-quality plastic casing**  
Your benefit: Low weight  
Corrosion-resistant  
Shock-resistant  
Abrasion-resistant  
Low-noise operation

**Clamp**  
Your benefit: Hydraulic parts are easily accessible

**Cooling jacket**  
Your benefit: Conversion of uncooled design to cooled variant by retrofitting a cooling jacket

**Locking the float switch at a specific switching point**  
Your benefit: Can be done with effortless ease

**Grease-lubricated bearings sealed for life**  
Your benefit: Maintenance-free

**Sturdy bearing bracket which can be dismantled**  
Your benefit: In case of repair, all components can be easily replaced

**SiC-SiC mechanical seal with oil supply**  
Your benefit: Reliable shaft seal with good dry-running characteristics

**Jacket cooling**  
Your benefit: Permits operation even when not submerged

2331.135/2

**Materials**
**Ama-Drainer – Standard Variant**

	<b>Ama-Drainer A 4.. ../10</b>	<b>Ama-Drainer A 4.. ../35</b>	<b>Ama-Drainer A 5.. ../10 K</b>	<b>Ama-Drainer A 522 ../11</b>
Pump casing	Chrome nickel steel (1.4301)	Chrome nickel steel (1.4301)	Chrome nickel steel (1.4301)	Cast iron EN-GJL-250 (GG-25)
Suction cover	Chrome nickel steel (1.4301)	Chrome nickel steel (1.4301)	Chrome nickel steel (1.4301)	Cast iron EN-GJL-250 (GG-25)
Volute	Acrylonitrile-butadiene-styrene copolymer (ABS)	Acrylonitrile-butadiene-styrene copolymer (ABS)	Acrylonitrile-butadiene-styrene copolymer (ABS)	-
Impeller	Polyamide (PA)	Polyamide (PA)	Polyamide (PA)	Polyamide (PA)
Foot	Polypropylene (PP)	Chrome nickel steel (1.4301)	Polypropylene (PP)	Polyethylene (PE)
O-rings	Acrylonitrile-butadiene (NBR)	Acrylonitrile-butadiene (NBR)	Acrylonitrile-butadiene (NBR)	Acrylonitrile-butadiene (NBR)
Mechanical seal	Silicon carbide (SiC/SiC)	Silicon carbide (SiC/SiC)	Silicon carbide (SiC/SiC)	Silicon carbide (SiC/SiC)
Stator case	Chrome nickel steel (1.4301)	Chrome nickel steel (1.4301)	Chrome nickel steel (1.4301)	Chrome nickel steel (1.4301)
Rotor shaft	Chrome steel (1.4021)	Chrome steel (1.4021)	Chrome steel (1.4021)	Chrome steel (1.4021)
Motor connection cable	Polychloroprene rubber (CR)	Polychloroprene rubber (CR)	Polychloroprene rubber (CR)	Polychloroprene rubber (CR)
Float	Polypropylene (PP)	Polypropylene (PP)	Polypropylene (PP)	Polypropylene (PP)
Cooling jacket	-	-	Polyoxymethylene (POM)	-
Oil supply	Liquid paraffin (environmentally friendly)	Liquid paraffin (environmentally friendly)	Liquid paraffin (environmentally friendly)	Liquid paraffin (environmentally friendly)

**Ama-Drainer - Variant C**

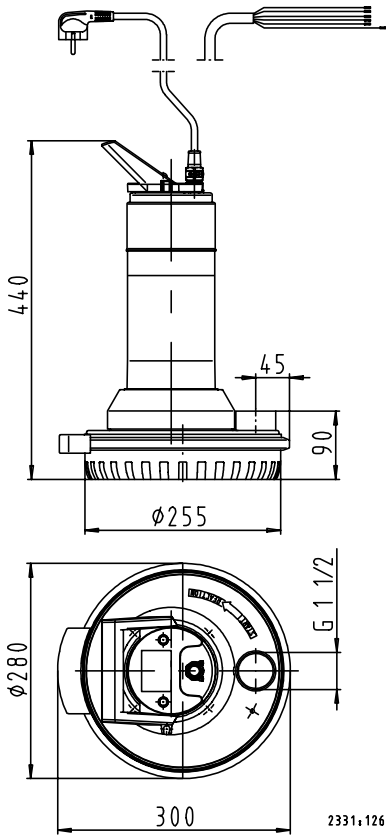
		<b>Ama-Drainer C 4.. ../35 *)</b>	<b>Ama-Drainer C 5.. ../10 K *)</b>	<b>Ama-Drainer C 522 ../11 *)</b>
Pump casing		CrNiMo steel (1.4401)	CrNiMo steel (1.4401)	Cast CrNiMo steel (1.4408)
Suction cover		CrNiMo steel (1.4401)	CrNiMo steel (1.4401)	Cast CrNiMo steel (1.4408)
Volute		Acrylonitrile-butadiene-styrene copolymer (ABS)	Acrylonitrile-butadiene-styrene copolymer (ABS)	-
Impeller		Polyamide (PA)	Polyamide (PA)	Polyamide (PA)
Foot		Polypropylene (PP)	Polypropylene (PP)	Polyethylene (PE)
O-rings		Acrylonitrile-butadiene (NBR)	Acrylonitrile-butadiene (NBR)	Acrylonitrile-butadiene (NBR)
Mechanical seal		Silicon carbide (SiC/SiC)	Silicon carbide (SiC/SiC)	Silicon carbide (SiC/SiC)
Stator case		CrNiMo steel (1.4401)	CrNiMo steel (1.4401)	CrNiMo steel (1.4401)
Rotor shaft		CrNiMo steel (1.4571)	CrNiMo steel (1.4571)	CrNiMo steel (1.4571)
Motor connection cable		Polychloroprene rubber (CR)	Polychloroprene rubber (CR)	Polychloroprene rubber (CR)
Float		Polypropylene (PP)	Polypropylene (PP)	Polypropylene (PP)
Cooling jacket		-	Polyoxymethylene (POM)	-
Oil supply		Liquid paraffin (environmentally friendly)	Liquid paraffin (environmentally friendly)	Liquid paraffin (environmentally friendly)

**Ama-Drainer -Variant R**

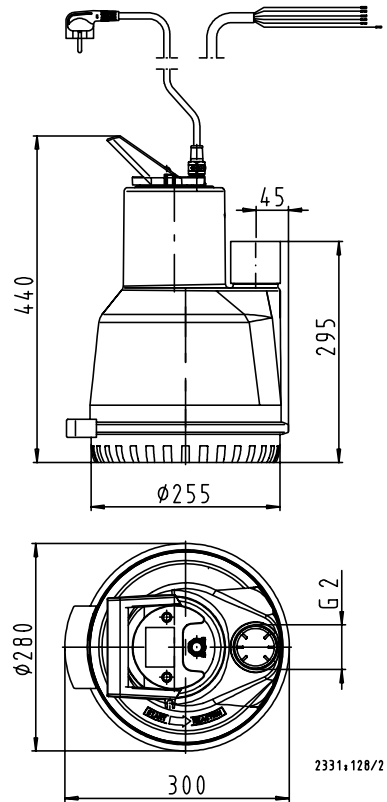
			<b>Ama-Drainer R 5.. ../10 K</b>	<b>Ama-Drainer R 522 ../11</b>
Pump casing			Chrome nickel steel (1.4301)	Cast iron EN-GJL-250
Suction cover			Chrome nickel steel (1.4301)	Cast iron EN-GJL-250
Volute			Acrylonitrile-butadiene-styrene copolymer (ABS)	-
Impeller			Polyamide (PA)	Polyamide (PA)
Foot			Polypropylene (PP)	Polypropylene (PP)
O-rings			Fluorocarbon rubber (FPM)	Fluorocarbon rubber (FPM)
Mechanical seal			Silicon carbide (SiC/SiC)	Silicon carbide (SiC/SiC)
Stator case			Chrome nickel steel (1.4301)	Chrome nickel steel (1.4301)
Rotor shaft			Chrome steel (1.4021)	Chrome steel (1.4021)
Motor connection cable			Polyurethane (PUR)	Polyurethane (PUR)
Float			Polypropylene (PP)	Polypropylene (PP)
Cooling jacket			Polyoxymethylene (POM)	-
Oil supply			Liquid paraffin (environmentally friendly)	Liquid paraffin (environmentally friendly)

\*) **Caution:** Check accessories for corrosion resistance

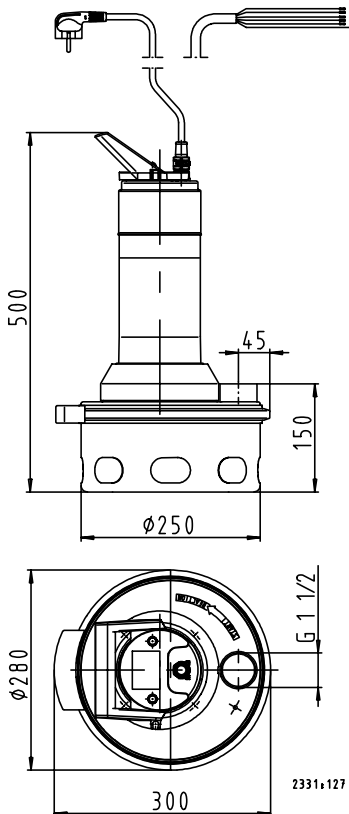
**Ama-Drainer 4../10 without cooling jacket**



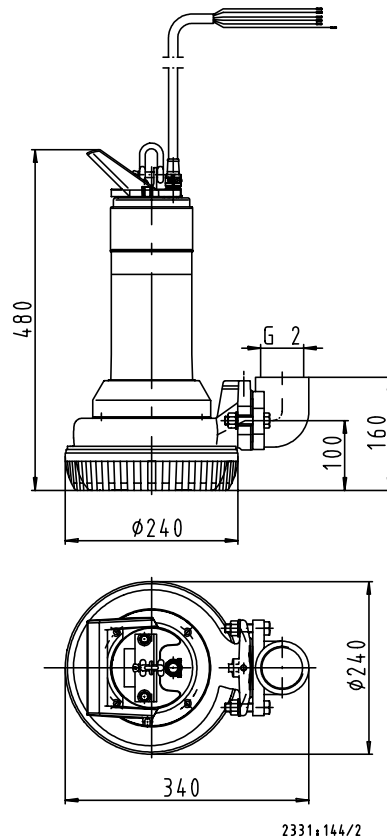
**Ama-Drainer 5../10 K with cooling jacket**



**Ama-Drainer 4../35 without cooling jacket**



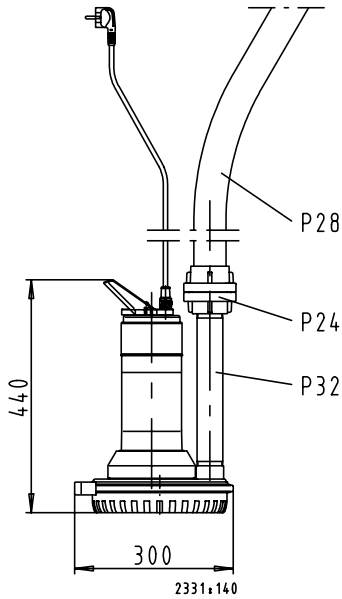
**Ama-Drainer 522/11 without cooling jacket**



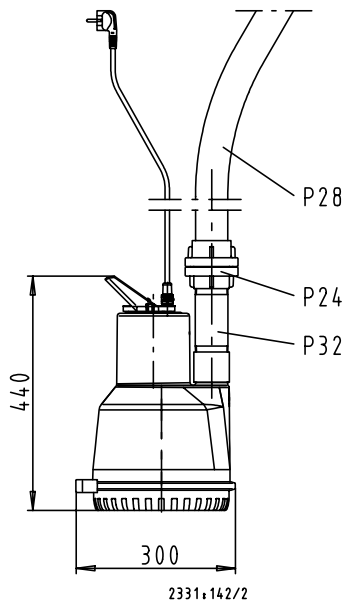


Examples of portable version

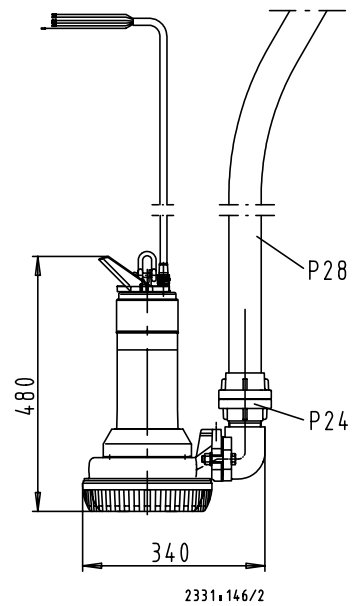
4.. NE/10 without cooling jacket



5.. NE/10 K with cooling jacket



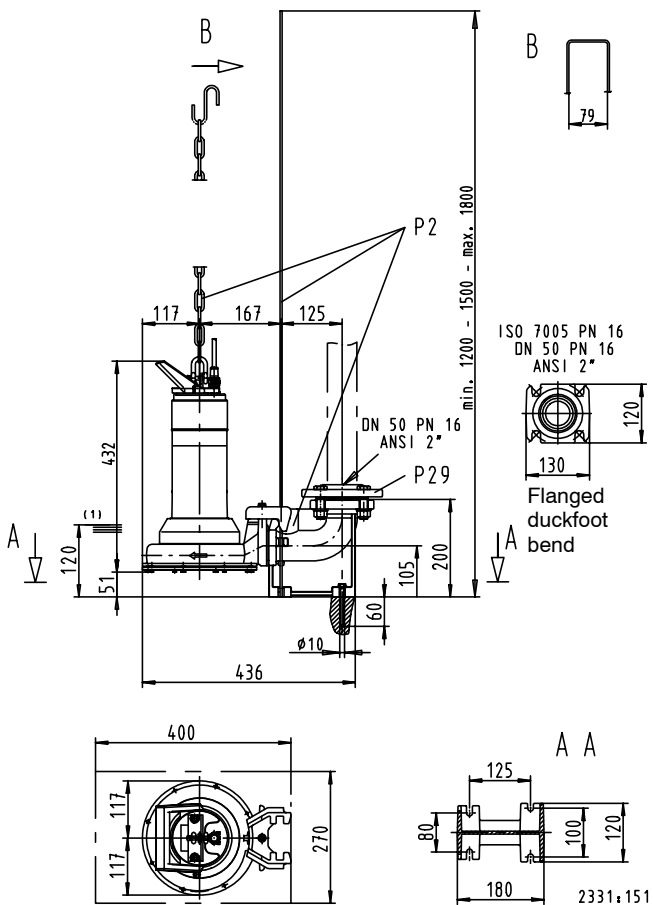
522 ND/11 without cooling jacket



- P 24 Storz rigid coupling
- P 28 Plastic hose
- P 32 Pipe extension

Stationary installation

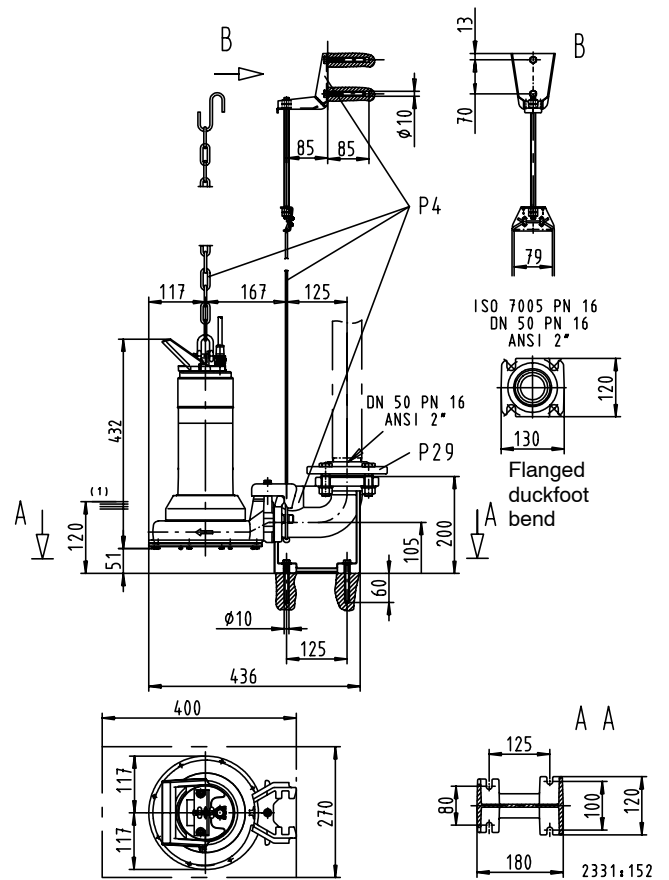
Ama-Drainer 522 ND/11 with hoop



(1) lowest switch-off point for automatic operation

- P 2 Hoop arrangement
- P 4 Wire arrangement
- P 29 Screwed flange

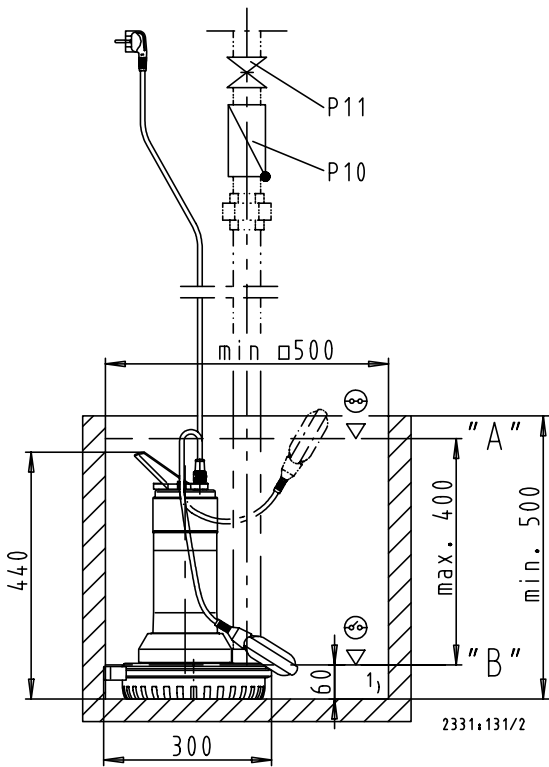
Ama-Drainer 522 ND/11 with guide wire



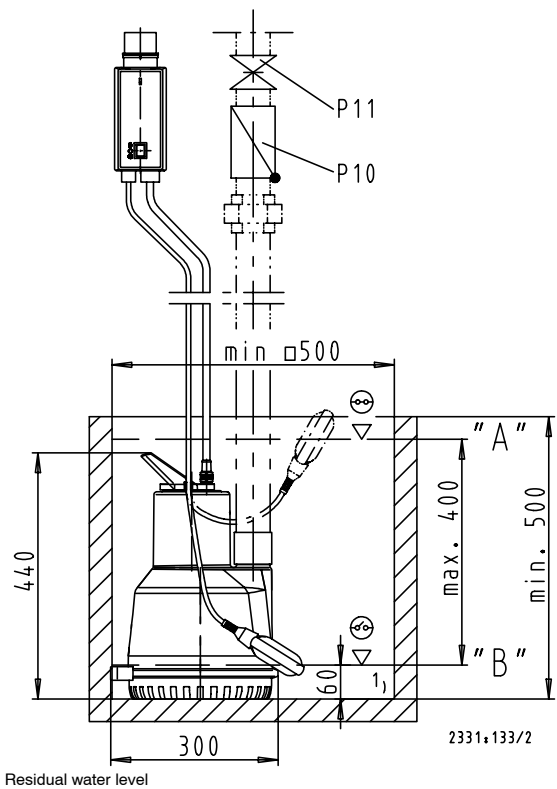
(1) lowest switch-off point for automatic operation

Outline Drawings of Single Pumps

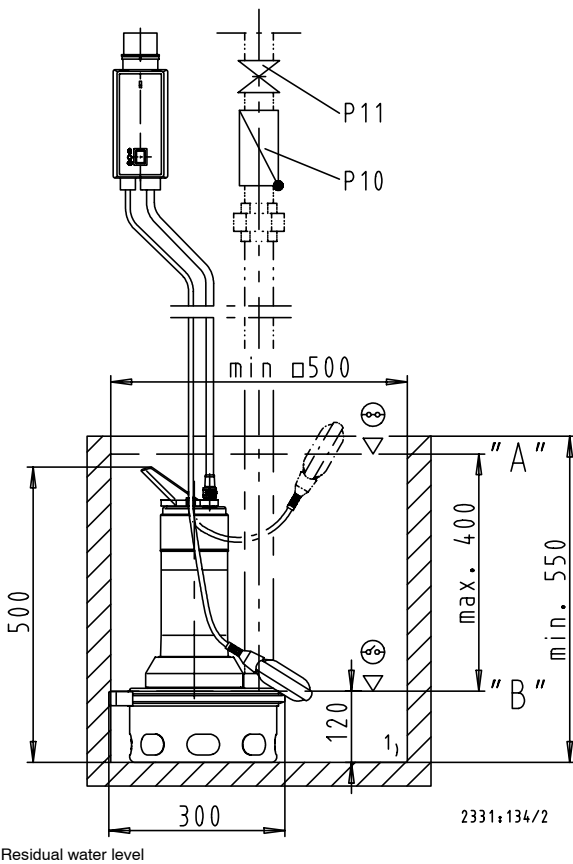
Ama-Drainer 4..SE /10 without cooling jacket



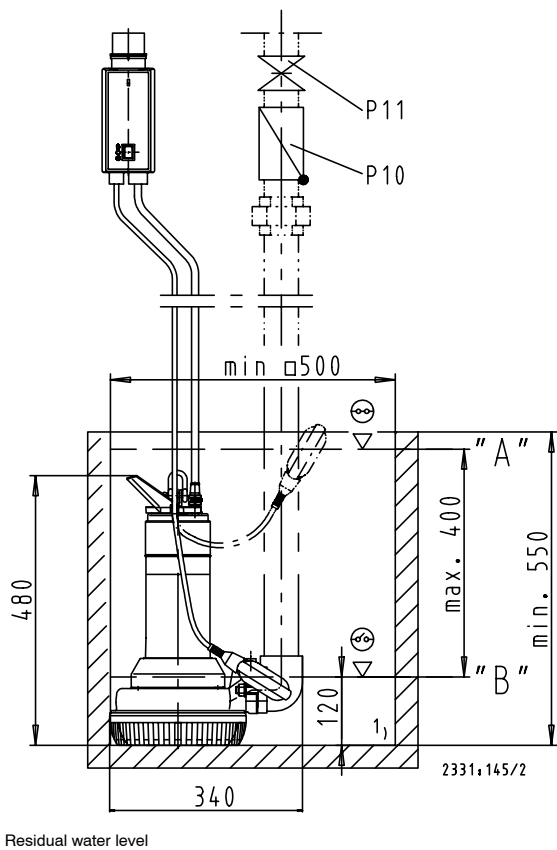
Ama-Drainer 5.. SD/10 K with cooling jacket



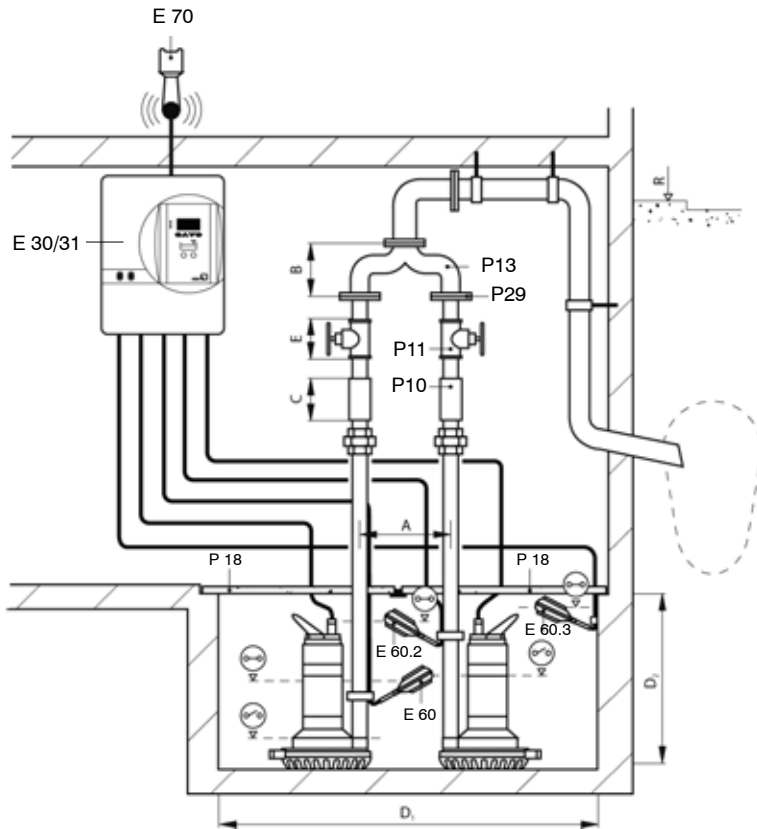
Ama-Drainer 4.. SD/35 without cooling jacket



Ama-Drainer 522 SD/11 without cooling jacket



P 10 Swing check valve  
P 11 Gate valve

**Installation example of duplex-pump station**  
**Ama-Drainer 405 ... 422 NE/ND / 505 ... 522 NE/ND**


- P 10 Swing check valve
- P 11 Gate valve
- P 13 Y-pipe
- P 18 Cover plate
- P 29 Screwed flange
- E 30/31 Switchgear
- E 60 "Base load" float switch
- E 60/2 "Peak load" float switch
- E 60/3 "High water alert" float switch
- E 70 Horn
- R Flood level

**Dimensions and Weights**

Ama-Drainer	A	B	C	D <sub>1</sub>	D <sub>2</sub>	E	~kg
4../10	275	190	130	1060 x 500	500	55	16
4../35	275	190	130	1060 x 500	550	60	17
5../10 K	300	210	130	1060 x 500	500	55	17
522/11	300	210	130	1060 x 500	550	55	24