



PRODUCT DESCRIPTIONS / SPECIFICATIONS

3D - The Direct Drive Difference

Process Gauges TLG "Tough Little Gauges"

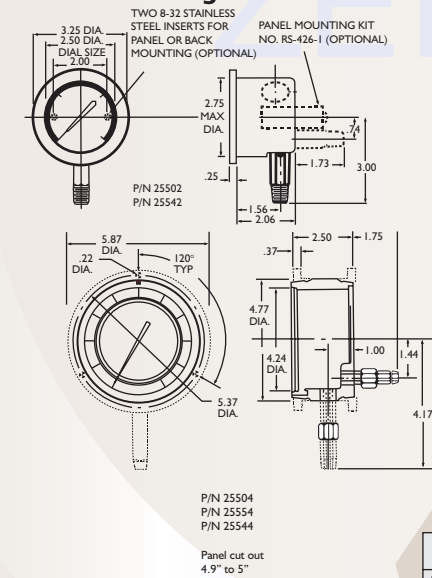
3D Process Gauges are called TLG's for "Tough Little Gauge". Small wonder, our process gauges are designed specifically for the toughest conditions in your process. Typically a 3D TLG can last 4-10 times longer than a standard gauge, even if the standard gauge has been liquid filled. The "Tough Little Gauge" features a robust case of engineered plastic either ABS (Series 25) or waterproof Valox (Series 24) and is available in diameters of: 2 1/2", 4 1/2", and 6" with 8 1/2" and 12" available on request. The "Dyna-Mount" 4 1/2" TLG is standard with a special swivel fitting and moveable flange. The gauge can be changed to front or back flange and bottom or back mount (Except ranges lower than 60 psi) in the field with no more than a screwdriver. Standard accuracies are 0.5% mid-scale. Pressure ranges available are from vacuum to 20,000 psi.

Process Dial Graduation Chart (Accuracy: 0.5% full scale @ midscale)

Pressure Range (psig)	Major Figure Interval (psig)	Mid Graduation (psig)	Minor Graduation* (psig)
30" Hg-0 Vac	5	5	0.5
0-30	5	5	0.2
0-60	5	1	0.5
0-100	10	5	1.0
0-150	10	5	1.0
0-160	20	10	2.0
0-200	20	10	2.0
0-300	50	10	2.0
0-500	50	10	5.0
0-600	50	10	5.0
0-1,000	100	50	10.0
0-1,500	100	50	10.0
0-2,000	200	100	20.0
0-3,000	500	100	20.0
0-4,000	500	100	50.0
0-5,000	1,000	500	50.0
0-6,000	1,000	500	50.0
0-8,000	1,000	500	100.0
0-10,000	1,000	500	100.0
0-15,000	1,500	500	100.0
0-20,000	2,000	1,000	100.0

*2.5" Dial size may have fewer divisions

Series-25 Gauge Dimensions



Panel cut out 4.9" to 5"

Model No.	A	B	C	D	E	F	G	H	K	L	M	Panel
255-5	6.31 (160.3)	2.50 (63.5)	7.63 (193.8)	1.00 (25.4)	7.00 (177.8)	2.13 (54.1)	5.72 (145.3)	1.65 (41.9)	0.28 (7.1)	0.50 (12.7)	6.00 (152.4)	6.50 (165.1)
255-6	8.81 (223.8)	2.50 (63.5)	10.20 (259.1)	1.00 (25.4)	9.63 (244.6)	2.13 (54.1)	6.97 (177.0)	1.65 (41.9)	0.28 (7.1)	0.50 (12.7)	8.50 (215.6)	9.00 (228.8)
255-7	12.50 (317.5)	2.50 (63.5)	14.13 (358.9)	1.00 (25.4)	13.50 (342.9)	2.13 (54.1)	8.82 (224.0)	1.65 (41.9)	0.28 (7.1)	0.50 (12.7)	12.00 (304.8)	12.75 (323.9)

Series-25 Test Gauge Dimensions in Inches (Millimeters)

Model No.	A	B	C	D	E	F	G	H	K	L	M	Panel
255-5	6.31 (160.3)	2.50 (63.5)	7.63 (193.8)	1.00 (25.4)	7.00 (177.8)	2.13 (54.1)	5.72 (145.3)	1.65 (41.9)	0.28 (7.1)	0.50 (12.7)	6.00 (152.4)	6.50 (165.1)
255-6	8.81 (223.8)	2.50 (63.5)	10.20 (259.1)	1.00 (25.4)	9.63 (244.6)	2.13 (54.1)	6.97 (177.0)	1.65 (41.9)	0.28 (7.1)	0.50 (12.7)	8.50 (215.6)	9.00 (228.8)
255-7	12.50 (317.5)	2.50 (63.5)	14.13 (358.9)	1.00 (25.4)	13.50 (342.9)	2.13 (54.1)	8.82 (224.0)	1.65 (41.9)	0.28 (7.1)	0.50 (12.7)	12.00 (304.8)	12.75 (323.9)

Panel cut out 4.9" to 5"

PIN 25504
PIN 25504
PIN 25544

PIN 25504
PIN 25504
PIN 25544

PIN 25504
PIN 25504
PIN 25544

PIN 25504
PIN 25504
PIN 25544

PIN 25504
PIN 25504
PIN 25544

PIN 25504
PIN 25504
PIN 25544

PIN 25504
PIN 25504
PIN 25544

PIN 25504
PIN 25504
PIN 25544

PIN 25504
PIN 25504
PIN 25544

PIN 25504
PIN 25504
PIN 25544

PIN 25504
PIN 25504
PIN 25544

PIN 25504
PIN 25504
PIN 25544

PIN 25504
PIN 25504
PIN 25544

PIN 25504
PIN 25504
PIN 25544

PIN 25504
PIN 25504
PIN 25544

PIN 25504
PIN 25504
PIN 25544

PIN 25504
PIN 25504
PIN 25544

PIN 25504
PIN 25504
PIN 25544

PIN 25504
PIN 25504
PIN 25544

PIN 25504
PIN 25504
PIN 25544

PIN 25504
PIN 25504
PIN 25544

PIN 25504
PIN 25504
PIN 25544

PIN 25504
PIN 25504
PIN 25544

PIN 25504
PIN 25504
PIN 25544

PIN 25504
PIN 25504
PIN 25544

PIN 25504
PIN 25504
PIN 25544

PIN 25504
PIN 25504
PIN 25544

PIN 25504
PIN 25504
PIN 25544

PIN 25504
PIN 25504
PIN 25544

PIN 25504
PIN 25504
PIN 25544

PIN 25504
PIN 25504
PIN 25544

PIN 25504
PIN 25504
PIN 25544

PIN 25504
PIN 25504
PIN 25544

PIN 25504
PIN 25504
PIN 25544

PIN 25504
PIN 25504
PIN 25544

PIN 25504
PIN 25504
PIN 25544

PIN 25504
PIN 25504
PIN 25544

PIN 25504
PIN 25504
PIN 25544

PIN 25504
PIN 25504
PIN 25544

PIN 25504
PIN 25504
PIN 25544

PIN 25504
PIN 25504
PIN 25544

PIN 25504
PIN 25504
PIN 25544

PIN 25504
PIN 25504
PIN 25544

PIN 25504
PIN 25504
PIN 25544

PIN 25504
PIN 25504
PIN 25544

PIN 25504
PIN 25504
PIN 25544

PIN 25504
PIN 25504
PIN 25544

PIN 25504
PIN 25504
PIN 25544

PIN 25504
PIN 25504
PIN 25544

PIN 25504
PIN 25504
PIN 25544

PIN 25504
PIN 25504
PIN 25544

Test Gauges

The 3D Accu-Drive Test Gauge series gives you a choice of two different degrees of accuracy to match your application. All 3D accuracy figures are real: they include all friction, error, hysteresis, and linearity variations. And 3D gauges maintain their rated accuracy over the entire life of the gauge. With no gears or wear points there is no need for recalibration.

Every dial is clearly marked for fast, accurate reading with calibrations covering a 270° arc. Parallax is corrected on the test gauges by a neutral glare-free face and a corrosion resistant stainless steel dial, incorporating a polished mirror band. Our test gauges are easy to zero with a front mounted zero adjust screw, virtually the only adjustment necessary over the life of the gauge. 3D test gauges are ideal for field calibrations where rough service conditions cause the need for frequent recalibrations in lesser gauge technologies. 3D Test Gauges are available in: 2 1/2", 4 1/2", 6", 8 1/2" and 12" diameters. Accuracies available are 0.5% and 0.25% of span¹. A variety of case configurations and colors is provided so that you can match the exact pressure calibration instrument required for your service.

Ambient Temperature:
-65°F to + 190°F (-54°C to +88°C)**
Service Media Temperature:
-65°F to + 400°F (-54°C to + 204°C)
Higher temperatures allowable depending on installation
Life:
250,000 cycles minimum to 1,000,000,*
80% of full scale
Bourdon Tube Volumes: 100 psi = 0.05 cu in (approximate) 10,000 psi = 0.01 cu in (approximate) + 5% from zero to full scale
Dial Sizes:
Process – 2 1/2" (64 mm)
4 1/2" (114 mm) 6" (152 mm)
Test – 2 1/2" (64 mm) 4 1/2" (114 mm)
6" (152 mm) 8 1/2" (216 mm) 12" (305 mm)
Repeatability: ±0.025% full scale
Sensitivity: ±0.025% full scale
Materials of Construction:
Case – Series-24: Valox; Series-25: ABS
Dial, Capillary tube, fittings, screws, and rivets – Stainless Steel**
Sensing Material – Inconel

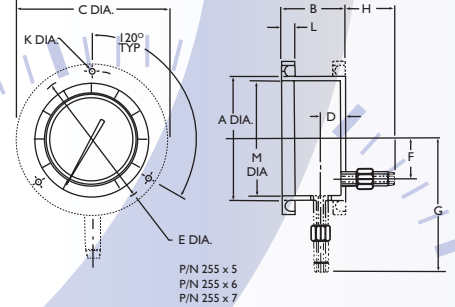
Accuracy:
Process – ± 0.5% of span at mid-range, ± 1.0% overall*
Test – ± 0.25% or ± 0.50% of span¹
¹No tapping required, includes all friction, hysteresis, linearity variations*
Approximately 100ms from 0 to full scale (gas service)

Test Dial Graduation Chart (Accuracy: 0.25% full scale)

Pressure Range (psig)	Major Figure Interval (psig)	Minor Figure Interval (psig)	Major Grad. (psig)	Inter Grad. (psig)	Minor Grad.* (psig)
30" Hg-0 Vac	10	2	10	1	0.25
0-30	5	1	5	1	0.1
0-60	10	1	10	1	0.2
0-100	10	1	10	1	0.5
0-150	10	2	10	1	0.5
0-200	10	2	10	2	1.0
0-300	50	5	50	5	1.0
0-500	100	10	100	10	2.0
0-600	100	10	100	10	2.0
0-1,000	100	20	100	10	5.0
0-1,500	100	20	100	10	5.0
0-2,000	100	20	100	20	10.0
0-3,000	500	50	500	50	10.0
0-4,000	500	100	500	100	20.0
0-5,000	1,000	100	1,000	100	20.0
0-6,000	1,000	100	1,000	100	20.0
0-8,000	1,000	200	1,000	200	50.0
0-10,000	1,000	200	1,000	200	50.0
0-15,000	1,000	250	1,000	250	100.0
0-20,000	2,000	500	2,000	500	100.0

*2.5" Dial size may have fewer divisions

Series-25 Gauge Dimensions



PIN 255 x 5
PIN 255 x 6
PIN 255 x 7

PIN 255 x 5
PIN 255 x 6
PIN 255 x 7

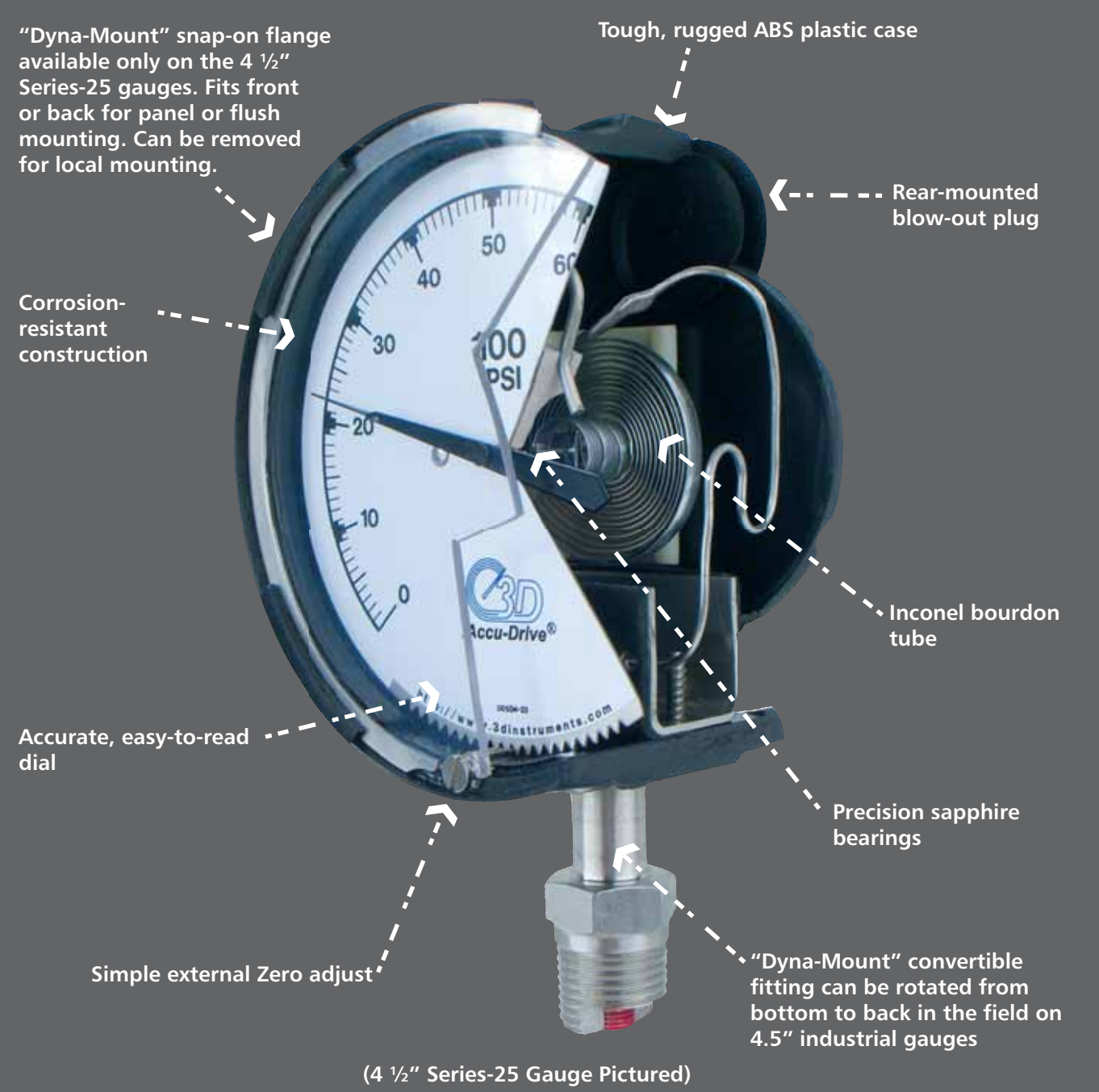
PIN 255 x 5
PIN 255 x 6
PIN 255 x 7

PIN 255 x 5
PIN 255 x 6
PIN 255 x 7

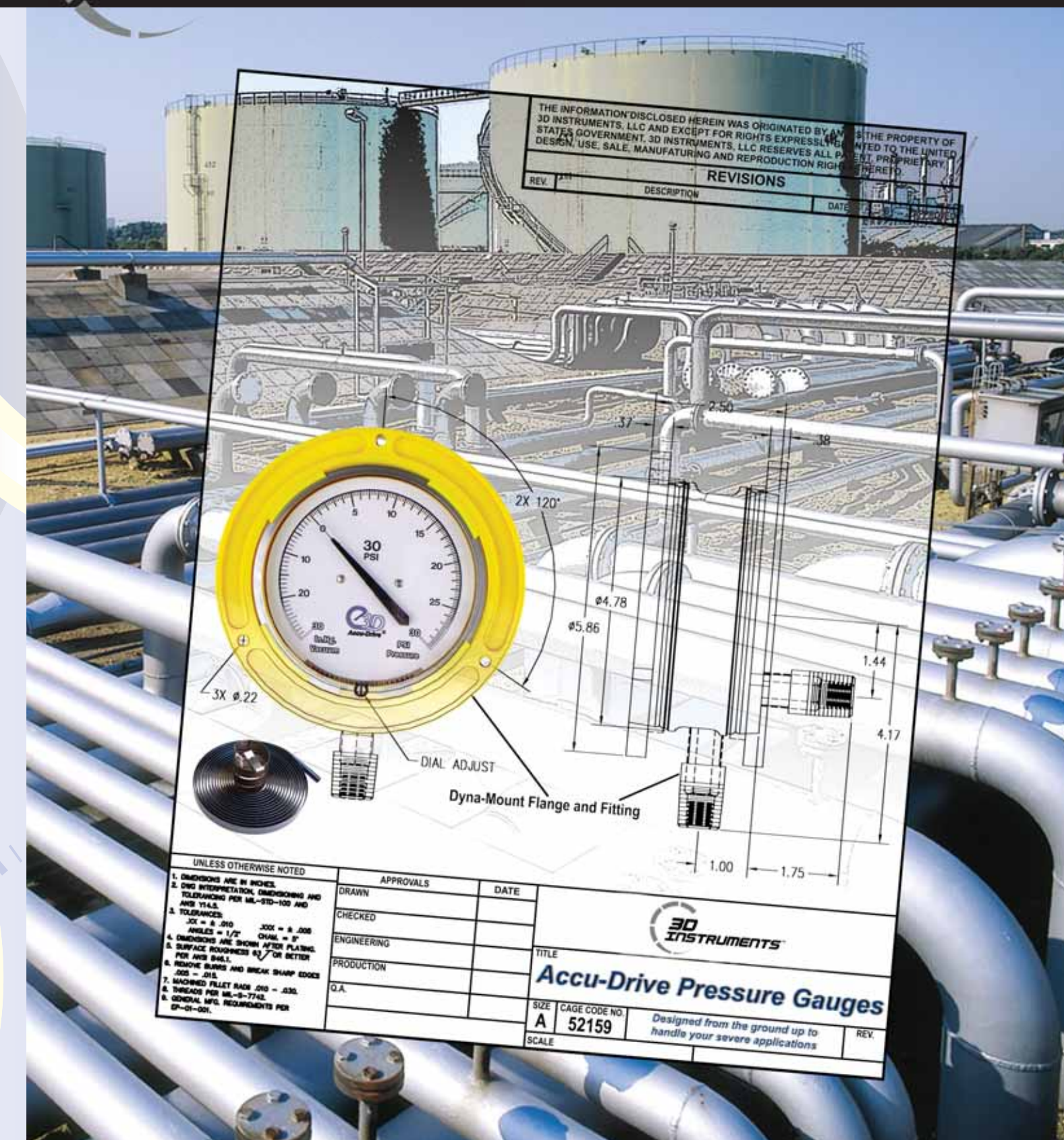
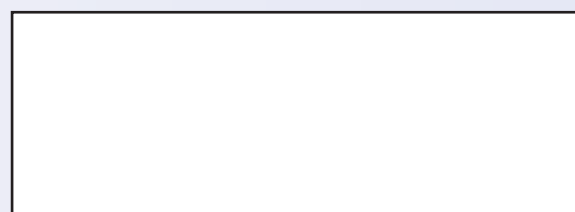
PIN 255 x 5
PIN 255 x 6
PIN 255 x 7

PIN 255 x 5
PIN 255 x 6
PIN 255 x 7

PIN 255 x 5
PIN 255 x 6
PIN 255 x 7



Your Local Distributor



Accu-Drive Pressure Gauges

DIRECT DRIVE TECHNOLOGY

www.3Dinstruments.com

Direct Drive Concept

At 3D Instruments, we believe that simple is beautiful!! Replacing the antiquated "C-shaped" bourdon tube in our Accu-Drive gauges is a unique helically wound bourdon... this is what we call the Direct Drive Difference. Our bourdon is coupled directly to the shaft pointer, which is the only moving part. Fewer moving parts translates to fewer gauge problems!! Regular recalibration is eliminated because there are no complex, wear-prone parts... like linkages and sectors. Linearity is built-in; no span adjustment is necessary - ever! Accuracy is maintained throughout the life of the gauge, which is much longer than those "old fashioned" gauges. Overpressure is not an issue... even 150% of span will not result in a calibration shift and the robust bourdon tube will withstand spikes of 500% of span without bursting. All 3D gauges use the finest materials of construction. The bourdon tube is made of Inconel, which is a highly elastic material with excellent corrosion resistance. All other wetted parts are in 316SS to meet the rigors of your most challenging applications.

Features

- Helically Wound Inconel Bourdon Tube
- Field adjustable fitting and flange on 4 1/2" ABS case
- All Wetted Components are 316 SS or Inconel
- Precision Anti-Friction Sapphire Shaft Bearings
- Shock Resistant and UV Stabilized ABS and Valox cases
- Human Engineered Dial
- Adjustable Zero Set-Point
- One Moving Part
- Lower "Cost of Ownership"
- No Recalibration Required
- Longer Field Service Life
- Greater Reading Accuracy
- Maintenance-Free Design
- Safer Operation

Direct Drive Vs. Liquid Filled Gauges

In many severe applications "C-shaped" pressure gauge cases are filled with a silicone liquid to dampen their movements and increase service life. Besides adding cost to the gauge, the liquid fill causes other problems... loss of accuracy, discoloration and added maintenance difficulties. 3D applies a high viscosity silicone dampener, known as GAD, directly to the outer layers of the bourdon tube. This GAD dampens the pointer movement in severe vibration and/or pulsation based applications thereby eliminating the need for liquid fill. In most instances a standard 3D Accu-Drive Gauge will easily replace a traditional liquid filled gauge. The 3D gauge will provide longer service life and lower field maintenance costs. When compared to liquid filled gauges, 3D gauges can last as much as 10x longer in severe vibration and pulsation service. Using 3D Accu-Drive Gauges will have a dramatically favorable impact on your gauge **cost of ownership!!**

Series-25 Dyna-Mount Field Adjustable Fitting/Flange



SIX YEAR WARRANTY On the Direct Drive Difference

3D Instruments LP. warrants to the original purchaser of any 3D Instruments Accu-Drive Pressure Gauge that it will be free from defects in materials and workmanship for a period of six (6) years from the date of delivery to the purchaser. A copy of the full text of the 3D Instruments six year limited warranty is available online or upon request.

3D Helical Bourdon Tube Technology

The heart of the 3D Accu-Drive gauge is the helically wound Inconel bourdon tube. Inconel was chosen due to its excellent resistance to corrosion and its elasticity. There are two versions of helical bourdon tube: one being designed specifically for high pressures and the other designed for lower pressures. Each pressure range has subtle differences in bourdon tube design and manufacture. To the user the benefits of this painstaking high technology process are longer field life

with inherent accuracy and span. As an assembly in the Test or Process gauge, our coil provides lower cost of ownership and easier field use, simply because our gauges do not fail or require recalibration. In testing, some Accu-Drive gauges have been cycled over a million times with no appreciable wear or effect on accuracy. Some 3D gauges have been in constant service for more than 25 years, replacing traditional gauges which had failed in the same service within weeks.



PRODUCT ORDERING INFORMATION

Process Gauges

PART NO.	CASE TYPE (Check One)	BASIC CLASSIFICATION (Check One)	ACCURACY (Check One)	SCALE SIZE (Check One)	SCALE CODE & RANGE psig (ISO METRIC) (Check One)	CONNECTION SIZE & TYPE (Check One)	SERIES 25 ENCLOSURE FLANGE & FITTING LOCATION & CASE COLOR (Check One)												SERIES 24 ONLY
							Flange: Front Fitting: Bottom	Flange: Front Fitting: Back	Flange: Back Fitting: Bottom	Flange: Back Fitting: Back	Flange: None Fitting: Bottom	Flange: None Fitting: Back	Flange: Detached Fitting: Bottom	Flange: Detached Fitting: Back	Turret Fitting: Bottom	Turret Fitting: Back			
24	Series 24 ABS Turret Case (Refer to Note)	Pressure	±0.1% (over 1000 psi)	4.5"	0-100 psig (0-700 kPa)	1/2" NPT Male	Flange: Front Fitting: Bottom	Flange: Front Fitting: Back	Flange: Back Fitting: Bottom	Flange: Back Fitting: Back	Flange: None Fitting: Bottom	Flange: None Fitting: Back	Flange: Detached Fitting: Bottom	Flange: Detached Fitting: Back	Turret Fitting: Bottom	Turret Fitting: Back			
25	Series 25 ABS Case (Refer to Note)	Pressure	±0.1% (over 1000 psi)	4.5"	0-100 psig (0-700 kPa)	1/2" NPT Male	Flange: Front Fitting: Bottom	Flange: Front Fitting: Back	Flange: Back Fitting: Bottom	Flange: Back Fitting: Back	Flange: None Fitting: Bottom	Flange: None Fitting: Back	Flange: Detached Fitting: Bottom	Flange: Detached Fitting: Back	Turret Fitting: Bottom	Turret Fitting: Back			
1	Series 25 ABS Case (Refer to Note)	Pressure	±0.1% (over 1000 psi)	4.5"	0-100 psig (0-700 kPa)	1/2" NPT Male	Flange: Front Fitting: Bottom	Flange: Front Fitting: Back	Flange: Back Fitting: Bottom	Flange: Back Fitting: Back	Flange: None Fitting: Bottom	Flange: None Fitting: Back	Flange: Detached Fitting: Bottom	Flange: Detached Fitting: Back	Turret Fitting: Bottom	Turret Fitting: Back			
2	Series 25 ABS Case (Refer to Note)	Pressure	±0.1% (over 1000 psi)	4.5"	0-100 psig (0-700 kPa)	1/2" NPT Male	Flange: Front Fitting: Bottom	Flange: Front Fitting: Back	Flange: Back Fitting: Bottom	Flange: Back Fitting: Back	Flange: None Fitting: Bottom	Flange: None Fitting: Back	Flange: Detached Fitting: Bottom	Flange: Detached Fitting: Back	Turret Fitting: Bottom	Turret Fitting: Back			
5	Series 25 ABS Case (Refer to Note)	Pressure	±0.1% (over 1000 psi)	4.5"	0-100 psig (0-700 kPa)	1/2" NPT Male	Flange: Front Fitting: Bottom	Flange: Front Fitting: Back	Flange: Back Fitting: Bottom	Flange: Back Fitting: Back	Flange: None Fitting: Bottom	Flange: None Fitting: Back	Flange: Detached Fitting: Bottom	Flange: Detached Fitting: Back	Turret Fitting: Bottom	Turret Fitting: Back			
0	Series 25 ABS Case (Refer to Note)	Pressure	±0.1% (over 1000 psi)	4.5"	0-100 psig (0-700 kPa)	1/2" NPT Male	Flange: Front Fitting: Bottom	Flange: Front Fitting: Back	Flange: Back Fitting: Bottom	Flange: Back Fitting: Back	Flange: None Fitting: Bottom	Flange: None Fitting: Back	Flange: Detached Fitting: Bottom	Flange: Detached Fitting: Back	Turret Fitting: Bottom	Turret Fitting: Back			
7	Series 25 ABS Case (Refer to Note)	Pressure	±0.1% (over 1000 psi)	4.5"	0-100 psig (0-700 kPa)	1/2" NPT Male	Flange: Front Fitting: Bottom	Flange: Front Fitting: Back	Flange: Back Fitting: Bottom	Flange: Back Fitting: Back	Flange: None Fitting: Bottom	Flange: None Fitting: Back	Flange: Detached Fitting: Bottom	Flange: Detached Fitting: Back	Turret Fitting: Bottom	Turret Fitting: Back			
2	Series 25 ABS Case (Refer to Note)	Pressure	±0.1% (over 1000 psi)	4.5"	0-100 psig (0-700 kPa)	1/2" NPT Male	Flange: Front Fitting: Bottom	Flange: Front Fitting: Back	Flange: Back Fitting: Bottom	Flange: Back Fitting: Back	Flange: None Fitting: Bottom	Flange: None Fitting: Back	Flange: Detached Fitting: Bottom	Flange: Detached Fitting: Back	Turret Fitting: Bottom	Turret Fitting: Back			
4	Series 25 ABS Case (Refer to Note)	Pressure	±0.1% (over 1000 psi)	4.5"	0-100 psig (0-700 kPa)	1/2" NPT Male	Flange: Front Fitting: Bottom	Flange: Front Fitting: Back	Flange: Back Fitting: Bottom	Flange: Back Fitting: Back	Flange: None Fitting: Bottom	Flange: None Fitting: Back	Flange: Detached Fitting: Bottom	Flange: Detached Fitting: Back	Turret Fitting: Bottom	Turret Fitting: Back			
5	Series 25 ABS Case (Refer to Note)	Pressure	±0.1% (over 1000 psi)	4.5"	0-100 psig (0-700 kPa)	1/2" NPT Male	Flange: Front Fitting: Bottom	Flange: Front Fitting: Back	Flange: Back Fitting: Bottom	Flange: Back Fitting: Back	Flange: None Fitting: Bottom	Flange: None Fitting: Back	Flange: Detached Fitting: Bottom	Flange: Detached Fitting: Back	Turret Fitting: Bottom	Turret Fitting: Back			
-	Series 25 ABS Case (Refer to Note)	Pressure	±0.1% (over 1000 psi)	4.5"	0-100 psig (0-700 kPa)	1/2" NPT Male	Flange: Front Fitting: Bottom	Flange: Front Fitting: Back	Flange: Back Fitting: Bottom	Flange: Back Fitting: Back	Flange: None Fitting: Bottom	Flange: None Fitting: Back	Flange: Detached Fitting: Bottom	Flange: Detached Fitting: Back	Turret Fitting: Bottom	Turret Fitting: Back			
48	Series 25 ABS Case (Refer to Note)	Pressure	±0.1% (over 1000 psi)	4.5"	0-100 psig (0-700 kPa)	1/2" NPT Male	Flange: Front Fitting: Bottom	Flange: Front Fitting: Back	Flange: Back Fitting: Bottom	Flange: Back Fitting: Back	Flange: None Fitting: Bottom	Flange: None Fitting: Back	Flange: Detached Fitting: Bottom	Flange: Detached Fitting: Back	Turret Fitting: Bottom	Turret Fitting: Back			
21	Series 25 ABS Case (Refer to Note)	Pressure	±0.1% (over 1000 psi)	4.5"	0-100 psig (0-700 kPa)	1/2" NPT Male	Flange: Front Fitting: Bottom	Flange: Front Fitting: Back	Flange: Back Fitting: Bottom	Flange: Back Fitting: Back	Flange: None Fitting: Bottom	Flange: None Fitting: Back	Flange: Detached Fitting: Bottom	Flange: Detached Fitting: Back	Turret Fitting: Bottom	Turret Fitting: Back			
22	Series 25 ABS Case (Refer to Note)	Pressure	±0.1% (over 1000 psi)	4.5"	0-100 psig (0-700 kPa)	1/2" NPT Male	Flange: Front Fitting: Bottom	Flange: Front Fitting: Back	Flange: Back Fitting: Bottom	Flange: Back Fitting: Back	Flange: None Fitting: Bottom	Flange: None Fitting: Back	Flange: Detached Fitting: Bottom	Flange: Detached Fitting: Back	Turret Fitting: Bottom	Turret Fitting: Back			
23	Series 25 ABS Case (Refer to Note)	Pressure	±0.1% (over 1000 psi)	4.5"	0-100 psig (0-700 kPa)	1/2" NPT Male	Flange: Front Fitting: Bottom	Flange: Front Fitting: Back	Flange: Back Fitting: Bottom	Flange: Back Fitting: Back	Flange: None Fitting: Bottom	Flange: None Fitting: Back	Flange: Detached Fitting: Bottom	Flange: Detached Fitting: Back	Turret Fitting: Bottom	Turret Fitting: Back			
24	Series 25 ABS Case (Refer to Note)	Pressure	±0.1% (over 1000 psi)	4.5"	0-100 psig (0-700 kPa)	1/2" NPT Male	Flange: Front Fitting: Bottom	Flange: Front Fitting: Back	Flange: Back Fitting: Bottom	Flange: Back Fitting: Back	Flange: None Fitting: Bottom	Flange: None Fitting: Back	Flange: Detached Fitting: Bottom	Flange: Detached Fitting: Back	Turret Fitting: Bottom	Turret Fitting: Back			
45	Series 25 ABS Case (Refer to Note)	Pressure	±0.1% (over 1000 psi)	4.5"	0-100 psig (0-700 kPa)	1/2" NPT Male	Flange: Front Fitting: Bottom	Flange: Front Fitting: Back	Flange: Back Fitting: Bottom	Flange: Back Fitting: Back	Flange: None Fitting: Bottom	Flange: None Fitting: Back	Flange: Detached Fitting: Bottom	Flange: Detached Fitting: Back	Turret Fitting: Bottom	Turret Fitting: Back			
25	Series 25 ABS Case (Refer to Note)	Pressure	±0.1% (over 1000 psi)	4.5"	0-100 psig (0-700 kPa)	1/2" NPT Male	Flange: Front Fitting: Bottom	Flange: Front Fitting: Back	Flange: Back Fitting: Bottom	Flange: Back Fitting: Back	Flange: None Fitting: Bottom	Flange: None Fitting: Back	Flange: Detached Fitting: Bottom	Flange: Detached Fitting: Back	Turret Fitting: Bottom	Turret Fitting: Back			
26	Series 25 ABS Case (Refer to Note)	Pressure	±0.1% (over 1000 psi)	4.5"	0-100 psig (0-700 kPa)	1/2" NPT Male	Flange: Front Fitting: Bottom	Flange: Front Fitting: Back	Flange: Back Fitting: Bottom	Flange: Back Fitting: Back	Flange: None Fitting: Bottom	Flange: None Fitting: Back	Flange: Detached Fitting: Bottom	Flange: Detached Fitting: Back	Turret Fitting: Bottom	Turret Fitting: Back			
27	Series 25 ABS Case (Refer to Note)	Pressure	±0.1% (over 1000 psi)	4.5"	0-100 psig (0-700 kPa)	1/2" NPT Male	Flange: Front Fitting: Bottom	Flange: Front Fitting: Back	Flange: Back Fitting: Bottom	Flange: Back Fitting: Back	Flange: None Fitting: Bottom	Flange: None Fitting: Back	Flange: Detached Fitting: Bottom	Flange: Detached Fitting: Back	Turret Fitting: Bottom	Turret Fitting: Back			
28	Series 25 ABS Case (Refer to Note)	Pressure	±0.1% (over 1000 psi)	4.5"	0-100 psig (0-700 kPa)	1/2" NPT Male	Flange: Front Fitting: Bottom	Flange: Front Fitting: Back	Flange: Back Fitting: Bottom	Flange: Back Fitting: Back	Flange: None Fitting: Bottom	Flange: None Fitting: Back	Flange: Detached Fitting: Bottom	Flange: Detached Fitting: Back	Turret Fitting: Bottom	Turret Fitting: Back			
29	Series 25 ABS Case (Refer to Note)	Pressure	±0.1% (over 1000 psi)	4.5"	0-100 psig (0-700 kPa)	1/2" NPT Male	Flange: Front Fitting: Bottom	Flange: Front Fitting: Back	Flange: Back Fitting: Bottom	Flange: Back Fitting: Back	Flange: None Fitting: Bottom	Flange: None Fitting: Back	Flange: Detached Fitting: Bottom	Flange: Detached Fitting: Back	Turret Fitting: Bottom	Turret Fitting: Back			
31	Series 25 ABS Case (Refer to Note)	Pressure	±0.1% (over 1000 psi)	4.5"	0-100 psig (0-700 kPa)	1/2" NPT Male	Flange: Front Fitting: Bottom	Flange: Front Fitting: Back	Flange: Back Fitting: Bottom	Flange: Back Fitting: Back	Flange: None Fitting: Bottom	Flange: None Fitting: Back	Flange: Detached Fitting: Bottom	Flange: Detached Fitting: Back	Turret Fitting: Bottom	Turret Fitting: Back			
32	Series 25 ABS Case (Refer to Note)	Pressure	±0.1% (over 1000 psi)	4.5"	0-100 psig (0-700 kPa)	1/2" NPT Male	Flange: Front Fitting: Bottom	Flange: Front Fitting: Back	Flange: Back Fitting: Bottom	Flange: Back Fitting: Back	Flange: None Fitting: Bottom	Flange: None Fitting: Back	Flange: Detached Fitting: Bottom	Flange: Detached Fitting: Back	Turret Fitting: Bottom	Turret Fitting: Back			
33	Series 25 ABS Case (Refer to Note)	Pressure	±0.1% (over 1000 psi)	4.5"	0-100 psig (0-700 kPa)	1/2" NPT Male	Flange: Front Fitting: Bottom	Flange: Front Fitting: Back	Flange: Back Fitting: Bottom	Flange: Back Fitting: Back	Flange: None Fitting: Bottom	Flange: None Fitting: Back	Flange: Detached Fitting: Bottom	Flange: Detached Fitting: Back	Turret Fitting: Bottom	Turret Fitting: Back			
34	Series 25 ABS Case (Refer to Note)	Pressure	±0.1% (over 1000 psi)	4.5"	0-100 psig (0-700 kPa)	1/2" NPT Male	Flange: Front Fitting: Bottom	Flange: Front Fitting: Back	Flange: Back Fitting: Bottom	Flange: Back Fitting: Back	Flange: None Fitting: Bottom	Flange: None Fitting: Back	Flange: Detached Fitting: Bottom	Flange: Detached Fitting: Back	Turret Fitting: Bottom	Turret Fitting: Back			
35	Series 25 ABS Case (Refer to Note)	Pressure	±0.1% (over 1000 psi)	4.5"	0-100 psig (0-700 kPa)	1/2" NPT Male	Flange: Front Fitting: Bottom	Flange: Front Fitting: Back	Flange: Back Fitting: Bottom	Flange: Back Fitting: Back	Flange: None Fitting: Bottom	Flange: None Fitting: Back	Flange: Detached Fitting: Bottom	Flange: Detached Fitting: Back	Turret Fitting: Bottom	Turret Fitting: Back			
36	Series 25 ABS Case (Refer to Note)	Pressure	±0.1% (over 1000 psi)	4.5"	0-100 psig (0-700 kPa)	1/2" NPT Male	Flange: Front Fitting: Bottom	Flange: Front Fitting: Back	Flange: Back Fitting: Bottom	Flange: Back Fitting: Back	Flange: None Fitting: Bottom	Flange: None Fitting: Back	Flange: Detached Fitting: Bottom	Flange: Detached Fitting: Back	Turret Fitting: Bottom	Turret Fitting: Back			
37	Series 25 ABS Case (Refer to Note)	Pressure	±0.1% (over 1000 psi)	4.5"	0-100 psig (0-700 kPa)	1/2" NPT Male	Flange: Front Fitting: Bottom	Flange: Front Fitting: Back	Flange: Back Fitting: Bottom	Flange: Back Fitting: Back	Flange: None Fitting: Bottom	Flange: None Fitting: Back	Flange: Detached Fitting: Bottom	Flange: Detached Fitting: Back	Turret Fitting: Bottom	Turret Fitting: Back			
38	Series 25 ABS Case (Refer to Note)	Pressure	±0.1% (over 1000 psi)	4.5"	0-100 psig (0-700 kPa)	1/2" NPT Male	Flange: Front Fitting: Bottom	Flange: Front Fitting: Back	Flange: Back Fitting: Bottom	Flange: Back Fitting: Back	Flange: None Fitting: Bottom	Flange: None Fitting: Back	Flange: Detached Fitting: Bottom	Flange: Detached Fitting: Back	Turret Fitting: Bottom	Turret Fitting: Back			
39	Series 25 ABS Case (Refer to Note)	Pressure	±0.1% (over 1000 psi)	4.5"	0-100 psig (0-700 kPa)	1/2" NPT Male	Flange: Front Fitting: Bottom	Flange: Front Fitting: Back	Flange: Back Fitting: Bottom	Flange: Back Fitting: Back	Flange: None Fitting: Bottom	Flange: None Fitting: Back	Flange: Detached Fitting: Bottom	Flange: Detached Fitting: Back	Turret Fitting: Bottom	Turret Fitting: Back			
41	Series 25 ABS Case (Refer to Note)	Pressure	±0.1% (over 1000 psi)	4.5"	0-100 psig (0-700 kPa)	1/2" NPT Male	Flange: Front Fitting: Bottom	Flange: Front Fitting: Back	Flange: Back Fitting: Bottom	Flange: Back Fitting: Back	Flange: None Fitting: Bottom	Flange: None Fitting: Back	Flange: Detached Fitting: Bottom	Flange: Detached Fitting: Back	Turret Fitting: Bottom	Turret Fitting: Back			
B	Series 25 ABS Case (Refer to Note)	Pressure	±0.1% (over 1000 psi)	4.5"	0-100 psig (0-700 kPa)	1/2" NPT Male	Flange: Front Fitting: Bottom	Flange: Front Fitting: Back	Flange: Back Fitting: Bottom	Flange: Back Fitting: Back	Flange: None Fitting: Bottom	Flange: None Fitting: Back	Flange: Detached Fitting: Bottom	Flange: Detached Fitting: Back	Turret Fitting: Bottom	Turret Fitting: Back			
C	Series 25 ABS Case (Refer to Note)	Pressure	±0.1% (over 1000 psi)	4.5"	0-100 psig (0-700 kPa)	1/2" NPT Male	Flange: Front Fitting: Bottom	Flange: Front Fitting: Back	Flange: Back Fitting: Bottom	Flange: Back Fitting: Back	Flange: None Fitting: Bottom	Flange: None Fitting: Back	Flange: Detached Fitting: Bottom	Flange: Detached Fitting: Back	Turret Fitting: Bottom	Turret Fitting: Back			
11	Series 25 ABS Case (Refer to Note)	Pressure	±0.1% (over 1000 psi)	4.5"	0-100 psig (0-700 kPa)	1/2" NPT Male	Flange: Front Fitting: Bottom	Flange: Front Fitting: Back	Flange: Back Fitting: Bottom	Flange: Back Fitting: Back	Flange: None Fitting: Bottom	Flange: None Fitting: Back	Flange: Detached Fitting: Bottom	Flange: Detached Fitting: Back	Turret Fitting: Bottom	Turret Fitting: Back			
14	Series 25 ABS Case (Refer to Note)	Pressure	±0.1% (over 1000 psi)	4.5"	0-100 psig (0-700 kPa)	1/2" NPT Male	Flange: Front Fitting: Bottom	Flange: Front Fitting: Back	Flange: Back Fitting: Bottom	Flange: Back Fitting: Back	Flange: None Fitting: Bottom	Flange: None Fitting: Back	Flange: Detached Fitting: Bottom	Flange: Detached Fitting: Back	Turret Fitting: Bottom	Turret Fitting: Back			
15	Series 25 ABS Case (Refer to Note)	Pressure	±0.1% (over 1000 psi)	4.5"	0-100 psig (0-700 kPa)	1/2" NPT Male	Flange: Front Fitting: Bottom	Flange: Front Fitting: Back	Flange: Back Fitting: Bottom	Flange: Back Fitting: Back	Flange: None Fitting: Bottom	Flange: None Fitting: Back	Flange: Detached Fitting: Bottom	Flange: Detached Fitting: Back	Turret Fitting: Bottom	Turret Fitting: Back			
21	Series 25 ABS Case (Refer to Note)	Pressure	±0.1% (over 1000 psi)	4.5"	0-100 psig (0-700 kPa)	1/2" NPT Male	Flange: Front Fitting: Bottom	Flange: Front Fitting: Back	Flange: Back Fitting: Bottom	Flange: Back Fitting: Back	Flange: None Fitting: Bottom	Flange: None Fitting: Back	Flange: Detached Fitting: Bottom	Flange: Detached Fitting: Back	Turret Fitting: Bottom	Turret Fitting: Back			
23	Series 25 ABS Case (Refer to Note)	Pressure	±0.1% (over 1000 psi)	4.5"	0-100 psig (0-700 kPa)	1/2" NPT Male	Flange: Front Fitting: Bottom	Flange: Front Fitting: Back	Flange: Back Fitting: Bottom	Flange: Back Fitting: Back	Flange: None Fitting: Bottom	Flange: None Fitting: Back	Flange: Detached Fitting: Bottom	Flange: Detached Fitting: Back	Turret Fitting: Bottom	Turret Fitting: Back			
24	Series 25 ABS Case (Refer to Note)	Pressure	±0.1% (over 1000 psi)	4.5"	0-100 psig (0-700 kPa)	1/2" NPT Male	Flange: Front Fitting: Bottom	Flange: Front Fitting: Back	Flange: Back Fitting: Bottom	Flange: Back Fitting: Back	Flange: None Fitting: Bottom	Flange: None Fitting: Back	Flange: Detached Fitting: Bottom	Flange: Detached Fitting: Back	Turret Fitting: Bottom	Turret Fitting: Back			
25	Series 25 ABS Case (Refer to Note)	Pressure	±0.1% (over 1000 psi)	4.5"	0-100 psig (0-700 kPa)	1/2" NPT Male	Flange: Front Fitting: Bottom	Flange: Front Fitting: Back	Flange: Back Fitting: Bottom	Flange: Back Fitting: Back	Flange: None Fitting: Bottom	Flange: None Fitting: Back	Flange: Detached Fitting: Bottom	Flange: Detached Fitting: Back	Turret Fitting: Bottom	Turret Fitting: Back			
31	Series 25 ABS Case (Refer to Note)	Pressure	±0.1% (over 1000 psi)	4.5"	0-100 psig (0-700 kPa)	1/2" NPT Male	Flange: Front Fitting: Bottom	Flange: Front Fitting: Back	Flange: Back Fitting: Bottom	Flange: Back Fitting: Back	Flange: None Fitting: Bottom	Flange: None Fitting: Back	Flange: Detached Fitting: Bottom	Flange: Detached Fitting: Back	Turret Fitting: Bottom	Turret Fitting: Back			
32	Series 25 ABS Case (Refer to Note)	Pressure	±0.1% (over 1000 psi)	4.5"	0-100 psig (0-700 kPa)	1/2" NPT Male	Flange: Front Fitting: Bottom	Flange: Front Fitting: Back	Flange: Back Fitting: Bottom	Flange: Back Fitting: Back	Flange: None Fitting: Bottom	Flange: None Fitting: Back	Flange: Detached Fitting: Bottom	Flange:					