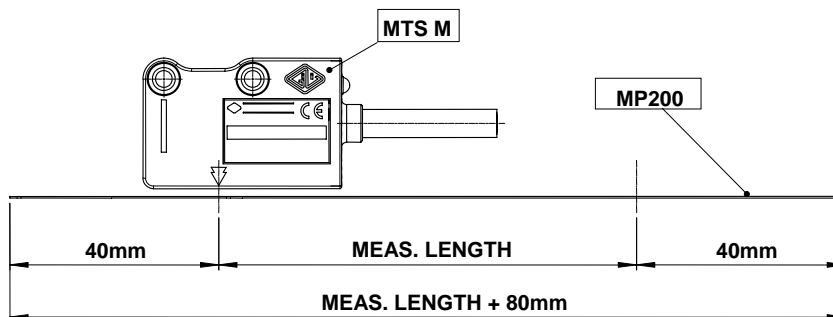
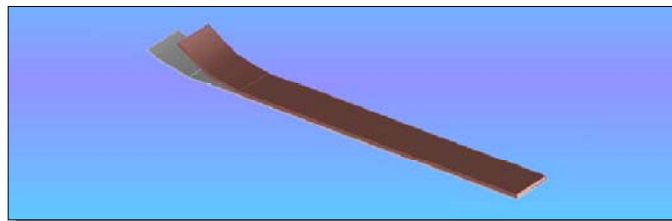


Code <b>ST24</b>	Project <b>A25-B</b>	Release <b>B</b>	Title <b>TECHNICAL DATASHEET</b>
---------------------	-------------------------	---------------------	-------------------------------------

## MAGNETIC BAND MP200

### GENERAL FEATURES

- MAGNETIC BAND MP200 is composed of a magnetic strip which is polarized at regular distances of 2+2 mm and supported by a stainless steel carrier. Extremely easy to mount on the operating machine.
- As an optional, the magnetic band can be supplied with a non-magnetic stainless steel cover for protection purposes; for its fixing an adhesive tape is pre-mounted.



**IMPORTANT:** in order not to compromise the accuracy of the system, the magnetic band MP200 must be longer than the machine run of at least 40 mm from each side.

### MECHANICAL FEATURES

Pole pitch	2+2 mm	
Accuracy at 20°C	± 30 µm/m <b>standard</b>	± 15 µm/m <b>special</b>
Width	10 mm	
Thickness	1.3 mm	
Maximum length	50 m	
Thermal expansion	$10.5 \times 10^{-6} \text{ } ^\circ\text{C}^{-1}$ T ref. = 20°C ± 0.1°C	
Bending radius	130 mm <sub>MIN</sub>	
Operating temperature	0° ÷ 70°C	
Storage temperature	-20° ÷ 80°C	
Weight of magnetic band	65 g/m	
Weight of cover	25 g/m	

### ORDERING CODE

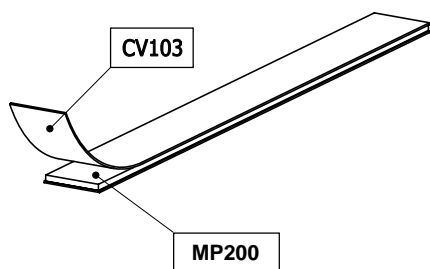
MODEL	LENGTH (mm)
<b>MP200</b>	<b>xxxxx</b>

Example ↪ **MAGNETIC BAND MP200 11000**

Code <b>ST24</b>	Project <b>A25-B</b>	Release <b>B</b>	Title <b>TECHNICAL DATASHEET</b>
---------------------	-------------------------	---------------------	-------------------------------------

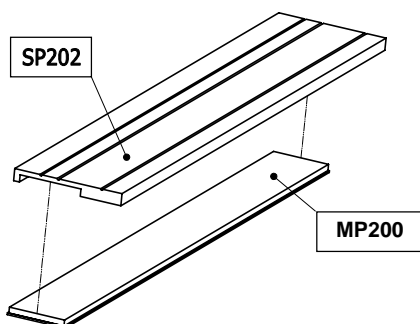
## ACCESSORIES

### CV103



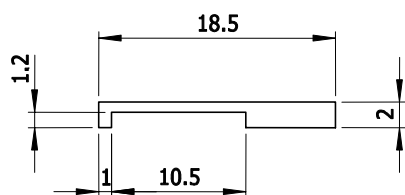
**Stainless steel cover for protection**  
10 mm width - 0.3 mm thickness  
To be placed on the magnetic tape

### SP202



**Aluminium support**  
To be fixed on the machine to support the magnetic band

**ATTENTION!**  
It is **NOT** possible to use the support SP202 if the magnetic band MP200 is already covered by CV103.



## ORDERING CODE OF ACCESSORIES

MODEL	LENGTH (mm)
<b>CV103</b>	<b>XXXXX</b>
<b>SP202</b>	<b>XXXXX</b>

## INSTALLATION AND HANDLING

1. Degrease the surface you want to place the magnetic band by using alcohol and dry it carefully.
2. Place the band and keep it aligned with the reader head ensuring the magnetic part is just next to the sensor.
3. Place the cover CV103 or the support SP202, if provided.
4. The max. adhesion will be achieved after 48 hours from sticking.
5. Keep other magnetic parts clear from the tape.
6. Store and roll up the tape keeping the magnetic strip on the outside, in order to avoid tensions.