

SMARTSCAN INFORMATION



1000 PLUS SERIES LIGHT CURTAINS HANDBOOK

CONTENTS	Page
INTRODUCTION	3
INTERFACE	5
SPECIFICATION	6
1000 PLUS SERIES LIGHT CURTAINS	7
LIGHT CURTAINS 30mm DETECTION CAPABILITY	8
LIGHT CURTAINS 40mm DETECTION CAPABILITY	9
LIGHT CURTAINS FOR PERIMETER GUARDING	10
ACCESSORIES	11
SAFETY SYSTEM SOLUTIONS	26
APPENDIX 1	27

SMARTSCAN

1000 Plus Safety Light Curtains

In the past safety light curtains have been very expensive, negating their use for many machine safeguarding applications. Smartsan 1000 Plus safety light curtains are offered at exceptionally low cost and as such it is now more cost effective to use light curtains rather than conventional protective screens or fences thus opening many new areas of application for light curtains throughout industry.

The 1000 Plus system incorporates many unique design features that have enabled Smartsan to severely reduce manufacturing costs. The result, a high quality range of safety light curtains at low cost. As endorsement to its reliability each 1000 Series Plus system comes complete with a full one year warranty.

Connecting the 1000 Plus light curtain to a machine control system couldn't be easier. A 24V DC supply is required to the transmitter and receiver units. Connect the two electronic output switches to the machine stop circuit and the installation is complete. There is NO interconnection cable between the transmitter and receiver units and NO control unit to install.

The 1000 Plus has 22 standard models in the range. Detection heights vary from 180mm up to 1240mm in 150mm increments. 1000 Plus light curtains detect objects of 30mm and 40mm and therefore suitable for 'hand' detection. Two, three and four beam models, for safeguarding around the perimeter of a machine are also available.

The 1000 Plus has passed Type Examination from European Notified Body, SAFENET LTD to the Machinery Directive. Certification provides users with an assurance that the 1000 Plus system meets all relevant legislative safety requirements.

Step forward safely to greater productivity

A technically advanced light curtain, offering outstanding cost effectiveness, opening the gates to new opportunities in machine guarding

Typical machine safeguarding applications include:

- Robots
- Packaging machines
- Special purpose equipment
- Process machinery
- Injection moulding machines
- Transfer lines
- Automated warehouses
- Textile machinery
- Electronic component assembly lines
- Bottling and filling machines

1000 Plus light curtains comply with European and International Safety Standards BS EN 61496-1 and BS IEC 61496-2 Type 2. They are normally used where the risk assessment for the safety related parts of the control system, as indicated in EN 62061, EN13849, (EN954-1), determines a requirement up to and including SIL2, PL d, (Category 3) control equipment.

- **EC Type Examined**
- **Safety integrity classification EN ISO 13849, PL d**
- **Simple installation and alignment**
- **Up to 10m scanning range (model dependant)**
- **One year manufacturer's warranty**

Features

- Slim-line enclosures
- No range setting
- Continually self monitoring system
- Diagnostic indicators
- Dual channel, fail-safe electronic outputs (control reliable)
- Interface cables included
- Two part system
- Flexible mounting options

(Output Signal Switching Devices) OSSD1 and OSSD2 (F6)

Two independent electronic switches provide the fail-safe outputs for connection to the machine control system. Outputs 'ON' = 24V DC, Outputs 'OFF' = 0V DC. Maximum switching current for each output = 0.5A at 24V. Cable colours for output switches Black = OSSD1, White = OSSD2.

Power Supply

A regulated power supply is required: +24V DC, up to 1.5A dependent on OSSD loads $\pm 20\%$. Cable colours for power supply connections at both transmitter and receiver: Brown = +24V DC, Blue = 0V DC.

Indicators

F1 - Yellow 'flashing' indicators on the (TX) transmitter column indicates the unit is powered-up and the electronic system is operational. (There is a yellow indicator associated with every block of 6 beams in the light curtain).

F2 - Yellow 'flashing' indicators on the (RX) receiver column indicates that communication is established between transmitter and receiver, and the light curtain is correctly aligned. Yellow 'steady' indicators on the (RX) receiver column indicate that the light curtain is incorrectly aligned or the light curtain detection zone is 'blocked'.

F3 - Green LED indicator on the (RX) receiver unit illuminates when the electronic output switches, OSSD1 and OSSD2 are 'ON' (only when the light curtain detection zone is 'clear' of any obstruction).

F4 - Red LED indicator on the (RX) receiver unit illuminates when the electronic output switches, OSSD1 and OSSD2 are 'OFF' e.g. when the light curtain detection zone is 'blocked'. If the Red LED indicator is flashing the system is in lockout. To recover from a lockout condition, disconnect the transmitter and receiver from the power source and then re-apply.

1000 Plus Light Curtains

Number of beams	2 – 48
Object detection	30mm, 40mm plus 2, 3 & 4 beam perimeter systems
Detection zone	180mm to 1240mm
Range	0.5 – 10m (model dependent)
Light type	Infra-Red 880nm
Response time	40ms
Operating temperature	0°C to +50°C
Light curtain enclosure	IP65 (HxWxD) Hx28x41mm
Status indicators	TX - Yellow (flashing) TX 'OK' RX - Red (steady) OSSDs 'OFF' - Red (flashing) system lockout RX - Green OSSDs 'ON' RX - Yellow (flashing) TX to RX communications established RX – Yellow (steady) incorrectly aligned or detection zone is 'blocked'
Power supply requirement	24V DC 1.5A ± 20% reg
Current consumption	200mA transmitter + 200mA receiver (OSSD LOAD ADDITIONAL)
Light curtain connection	5m cables connected to both TX & RX units
Finish	Polyester powder coated (yellow)
Classification	BS EN 61496-1 Type 2 BS IEC 61496-2 Type 2 EN 62061 - SIL 2, EN ISO 13849 PL d
Warranty	One Year

OUTPUTS

Safety Outputs OSSD1 & OSSD2	2 x electronic switches, each rated at 24V DC, 500mA - ON = 24V DC, OFF = 0V standing current (min 20mA)
---------------------------------	----------------------------------------------------------------------------------------------------------------



FM27829

The 1000 Plus light curtain represents a major step forward in light curtain design.

The system continually self-tests itself and de-energises its output if a fault is detected. This eliminates the need for a 'test' input.

By utilising two safety outputs 1000 Plus Series light curtains have a far higher safety integrity than those with a single output. Furthermore, the outputs are monitored by the light curtain (short circuit proof) and therefore are termed 'control reliable' and meet the safety requirements of EN 62061 - SIL 2, EN ISO 13849 PL d (BS EN 954-1 Category 3).

Mechanical features

The light curtain enclosure is of aluminium construction finished in a yellow polyester powder coating.

An adapter bracket set is provided enabling the light curtain to be mounted from the column ends using a transmitter and receiver mounting kit (012-130).

The enclosures are totally sealed making them suitable for use in wet environments. Each enclosure has integral M6 threaded slots down the sides and back so that it may be mounted from any face with no special fixtures.

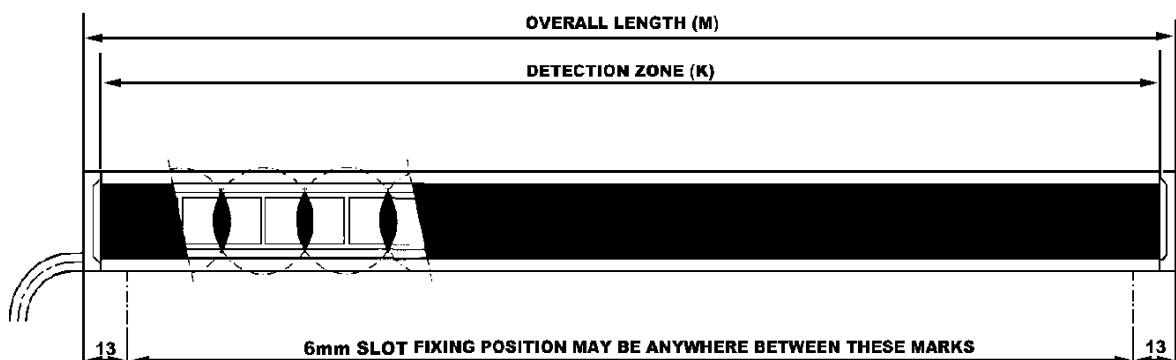


Light Curtains 30mm Detection Capability Range 0.5m to 5m

Model number	Number of beams	Detection zone (K) mm	Overall length (M) mm	Weight (TX + RX) Kg
012 - 098	6	180	190	0.3
012 - 100	12	330	340	0.5
012 - 102	18	480	490	0.7
012 - 104	24	630	640	0.8
012 - 106	30	780	790	0.9
012 - 108	36	930	940	1.1
012 - 110	42	1080	1090	1.3
012 - 112	48	1230	1240	1.5

Includes 5m transmitter cable & 5m receiver cable.

Note: 1000 Plus guards over 1300mm long will not be available from stock. Please contact us direct on requests for guards above this length.

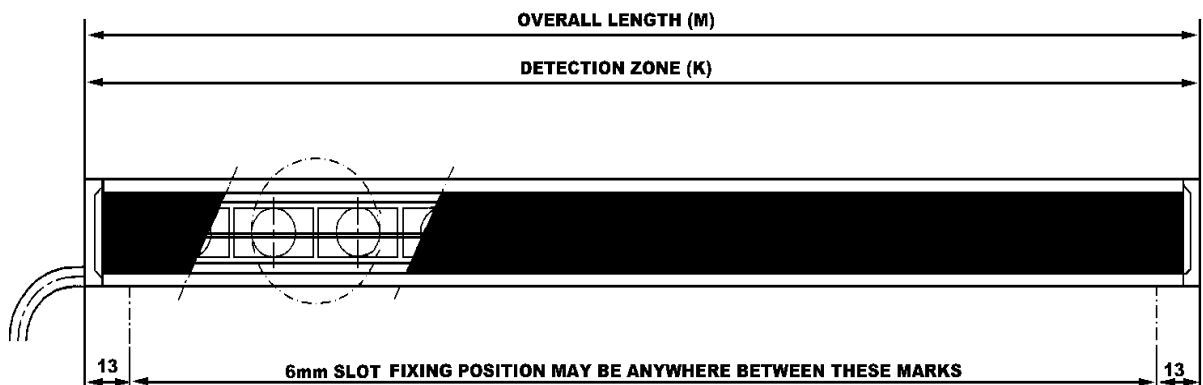


Light Curtains 40mm Detection Capability Range 4m to 10m

Model number	Number of beams	Detection zone (K) mm	Overall length (M) mm	Weight (TX + RX) Kg
012 – 099	6	190	190	0.3
012 – 101	12	340	340	0.5
012 – 103	18	490	490	0.7
012 – 105	24	640	640	0.8
012 – 107	30	790	790	0.9
012 – 109	36	940	940	1.1
012 – 111	42	1090	1090	1.3
012 – 113	48	1240	1240	1.5

Includes 5m transmitter cable & 5m receiver cable.

Note: 1000 Plus guards over 1300mm long will not be available from stock. Please contact us direct on requests for guards above this length.



Light Curtains Perimeter Guarding Range 0.5m to 5m

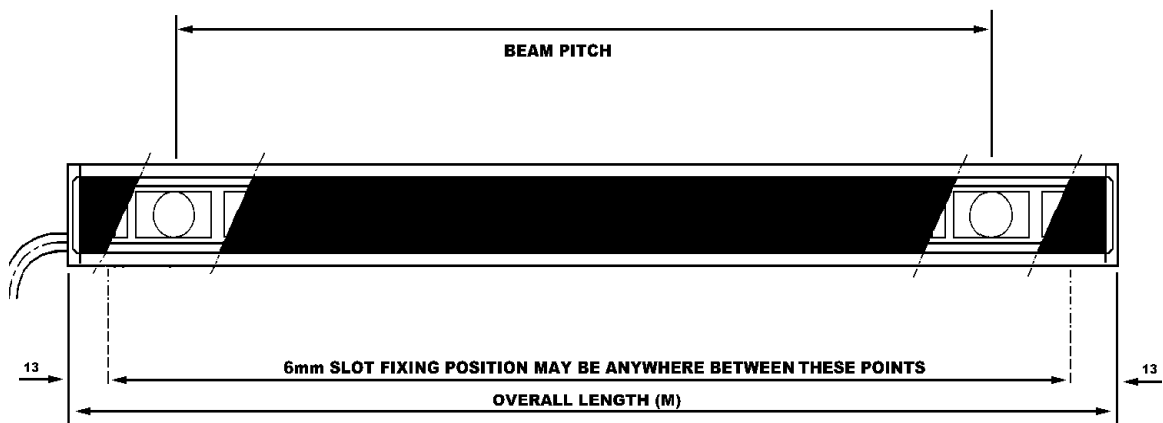
Model number	Beam pitch	Overall length (M) mm	Weight (TX + RX) Kg
012 - 125	2 @ 550mm	640	0.7
012 - 126	3 @ 450mm	990	0.9
012 - 127	4 @ 400mm	1290	1.2

Includes 5m transmitter cable & 5m receiver cable.

Light Curtains Perimeter Guarding Range 4m to 10m

Model number	Beam pitch	Overall length (M) mm	Weight (TX + RX) Kg
012 - 122	2 @ 550mm	640	0.7
012 - 123	3 @ 450mm	990	0.9
012 - 124	4 @ 400mm	1290	1.2

Includes 5m transmitter cable & 5m receiver cable.



Multifunction Unit



Smartsan 1000 Plus Series light curtains incorporate two fail-safe, electronic output switches. If there is a requirement for relay output switching a Multifunction Safety Unit (MFU) may be used.

The MFU Type **011-149** is effectively a safety relay module and, just like any other proprietary safety relay, it provides relay output switching contacts and a choice of control functions, for example auto/manual reset and external device monitoring.

An, MFU Type **011-160** has much more to offer. Not only does it provide inputs for the emergency stop function but it also has two further sets of inputs for connecting up to two light curtains. The monitored output switching contacts are rated at 250V AC, 2A with two additional electronic outputs for status indication etc. Other features include selectable auto/manual reset modes, external device monitoring (EDM) and LED indicators for all input and output channels. The unit is automatically self testing and with simultaneous monitoring between related channels it ensures the unit is suitable for SIL 3 and PL e (Category 4) control systems as defined in EN 62061 and EN ISO 13849 (BS EN 954-1).

MFU Type **011-151** further enhances the Smartscan range of multifunction safety units. The unit incorporates a light curtain muting facility, designed specifically for those systems that require the light curtain detection zone to be inhibited, or muted, during specific periods of a machine's operating cycle. Muting allows access through the light curtain for the passage of material or for a person to load and unload parts through the light curtain during safe periods without interrupting the machines operating cycle.

MFU Type 011-151 provides a dual channel safety monitored input for automatically muting the light curtain during safe periods of machine operation. Mute signals are often derived from the machine control system or from external sensors or switches. It also provides dual inputs for a Series 1000 light curtain and a two channel emergency stop system.

The monitored safety output relay switches are rated at 250V AC, 2A, for connection to a power-switching device or directly to a machines final control element. Two electronic outputs are provided one for guard status indication and the other to indicate a 'mute on' condition. Both are for direct connection to a PLC or indicator lamps etc.

Other features include external device monitoring (EDM) and LED indicators on all inputs and outputs.

Monitoring between associated input channels ensures the unit is suitable for SIL 3 and PL e (Category 4) control systems as defined in EN 62061 and EN ISO 13849 (BS EN 954-1).

MFU Type **011-155** has been designed specifically for entry/exit applications where the light curtain is positioned across a conveyor. The control module provides two safety monitored inputs for signals that automatically mute the associated light curtain during safe periods of the machine operation. Mute signals are usually derived from external PE sensors, limit switches or the machine control system.

For additional integrity a third mute input channel (mute enable) is provided. This input is often connected to a 'conveyor run' signal to enable a mute condition, ONLY when the associated conveyor is 'running'. The 011-155 also provides dual inputs for a Series 1000 light curtain and a 'guard override function. The override facility enables the light curtain's safety output relays to be negated for a short period. This facility is essential in the packaging industry for light curtains that are positioned across conveyors that prevent access to personnel but allowing pallet loads to pass through.

The monitored safety output relay switches are rated at 250V AC, 2A, for connection to a power-switching device or directly to a machines final control element.

Electronic outputs are provided, one for guard status indication and the other for mute indication.

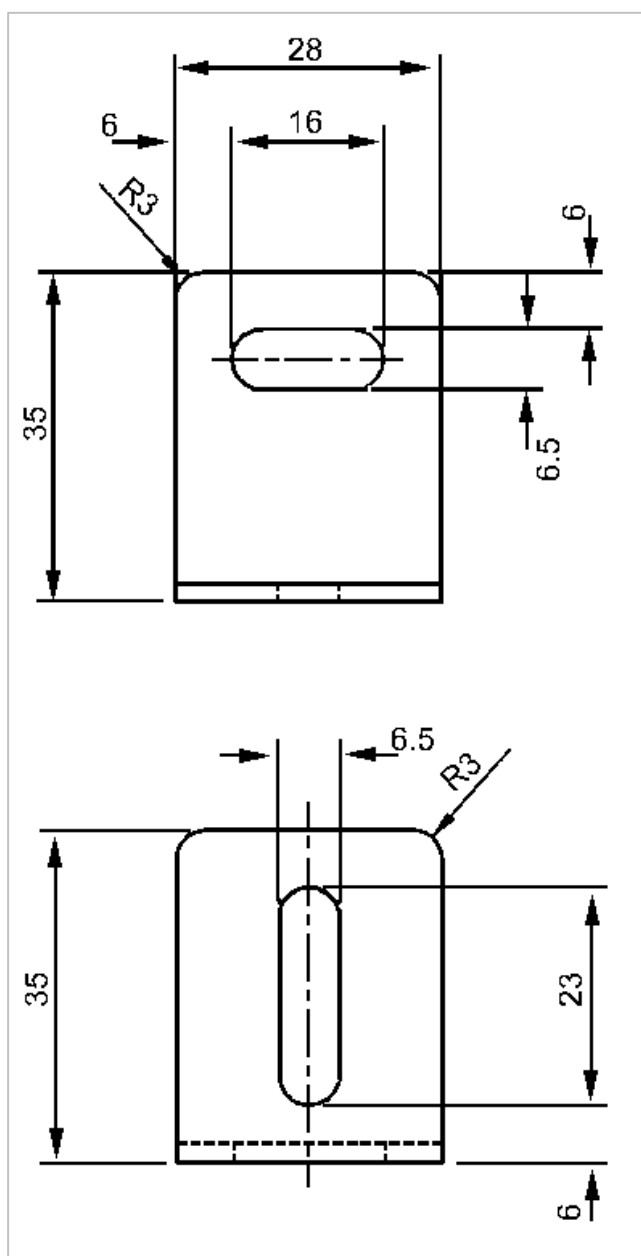
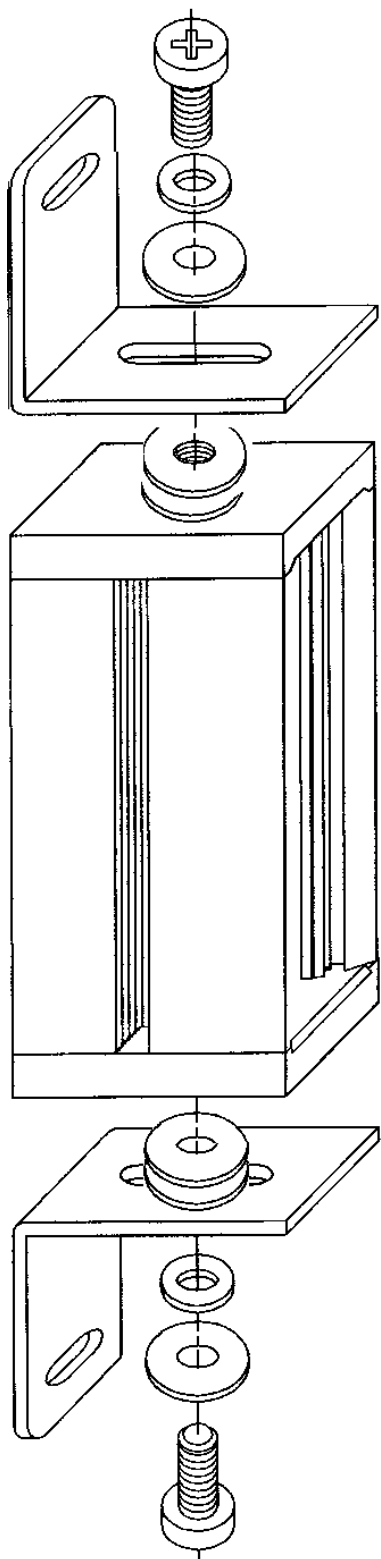
The MFU also includes external device monitoring (EDM) and visual indicators on all inputs and outputs.

Monitoring between associated input channels ensures the unit is suitable for SIL 3 and PL e (Category 4) control systems as defined in EN 62061 and EN ISO 13849 (BS EN 954-1).

Mounting Kit

Model number	Description
012-130	Mounting bracket kit

4 x 'L' shaped stainless steel mounting brackets and a set of M6 x 8mm screws.



For fixing centres $36\text{mm} + (m)\text{mm}$
 For (m) see product tables on page 8, 9 & 10

1000 Series Reset Station

The 1000 Series reset station provides the user with a guard reset function and guard status indication. Mounted in a robust enclosure with a bright LED lamp and 6mm screw size mounting brackets top and bottom. Each unit comes with an integrated 10m connection cable for interface via a 1000 Series multi function unit (MFU), 011-149, 011-160 or 011-151



Model number	Description
012-302	1000 Series push button reset station with trip indication

Power Supplies



If a suitable stabilised 24V DC 2.5A power supply is not available the following units are recommended.

Model number	Description
112-029	Power supply Input 100 – 240V AC Output 24V DC, 4.5A
112-027	Power supply Input 85 - 264V AC Output 24V DC, 2.5A
112-028	Power supply Input 100 – 240V AC Output 24V DC, 1.1A

Features

- High reliability
- High efficiency, low working temp
- Built in EMI filter, low ripple noise
- Compact size, lightweight
- Short circuit, over load, over voltage protection

Approvals: UL, TUV, CB and CE



Specification 112-029

Type	Switch mode
Input voltage	100-240V AC
Input frequency	50-60 HZ
Inrush current	
Output voltage/current rating	24CV DC 4.5 amp
Operating temperature	0°C to 50°C
Storage temperature	-10°C to +70°C
Connection	7P
Enclosure	200x98x38mm Din rail mounting
Weight	0.61 kg

Specification 112-027

Type	Switch mode
Input Voltage	85 - 264V AC
Input frequency	47-63HZ
Inrush current	Cold start, 24A, 115V & 50A, 230V
Output voltage/current rating	24V DC, 2.5A
Operating temperature	0°C to 50°C
Storage temperature	-10°C to +70°C
Connection	5P/9.5mm pitch terminal block
Enclosure	160x98x38mm Din rail mounting
Weight	0.5 Kg

Specification 112-028

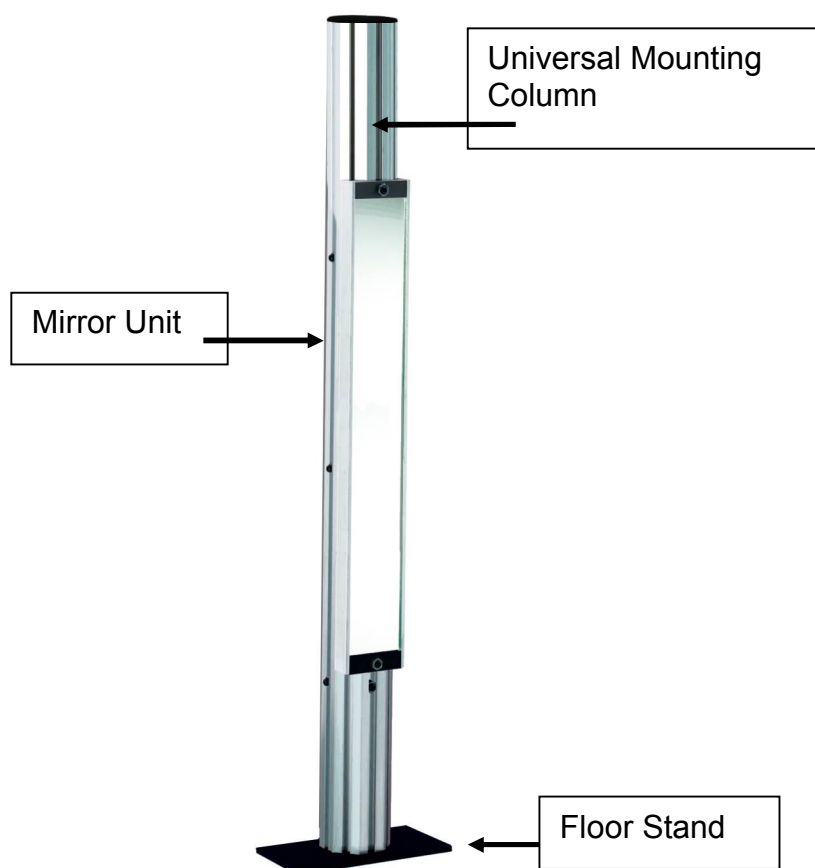
Type	Switch mode
Input Voltage	100 - 240V AC
Input frequency	50-60HZ
Inrush current	Cold start, 15A, 115V & 30A, 230V
Output voltage/current rating	24V DC, 1.1A
Operating temperature	0°C to 50°C
Storage temperature	-10°C to +70°C
Connection	5P/9.5mm pitch terminal block
Enclosure	99x97x35mm Din rail mounting
Weight	0.37 Kg

Mirror Units

Two or three sides of a machine can be safeguarded with a single light curtain by using mirrors to deflect the light curtain's infra-red beams. (see appendix 1 for installation guidance)

The Smartscan mirror system provides a sturdy floor mounting kit together with an aluminium column for mounting the mirror. The mirror assembly simply slots onto the column and can be adjusted to the height required for the application.

The special mounting stand enables the mirror unit to be rotated through 360 degrees while also allowing full adjustment in all axes.



Note: Mirrors cause a reduction in optical efficiency, reducing the effective range of the light curtain. Refer to appendix 1 for guidance.

Range of the light curtain	Maximum range through 1 mirror	Maximum range through 2 mirrors
0.5m - 5m	4m	3m
4m -10m	8m	6.5m

Mirror Units

Model number	Description
044-252	600mm x 110mm wide mirror unit
044-249	900mm x 110mm wide mirror unit
044-250	1200mm x 110mm wide mirror unit
044-253	1400mm x 110mm wide mirror unit

Note: Mirror length must be a minimum of 100mm longer than the overall length of the light curtain to be installed.

Mounting Columns and Floor Stands

Model number	Description
044-256	1.1m aluminium universal mounting column
044-257	1.3m aluminium universal mounting column
044-258	1.6m aluminium universal mounting column
044-247	1.8m aluminium universal mounting column
044-262	2.0m aluminium universal mounting column
044-248	Floor stand

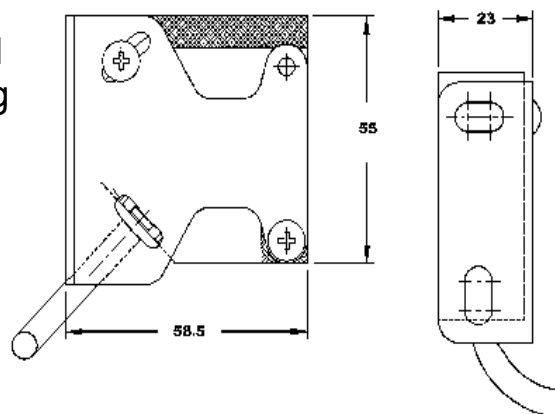
Note: A universal mounting column and floor stand is required for each mirror unit.

Mute signalling photocell
Type 109-016

The polarised retro-reflective photocell can be used in conjunction with MFU 011-151 and MFU 155 to provide the mute initiating signals to terminals B3 and B4 of the MFU.



A safety light curtain with mute control function is often used in the packaging industry. In conjunction with a 1000 Plus Series light curtain and an MFU 011-155 two photocells are positioned to scan across a conveyor to detect loaded pallets prior to the load interrupting the light curtain. The photocell must be positioned to detect the load during the entire time the load is passing through the light curtain.



Type 109-016 photocell has a maximum sensing range of 4 metres.

Each photocell comes complete with mounting bracket and retro-reflective mirror.

Model number	Description
109-016	Polarised retro-reflective photocell kit

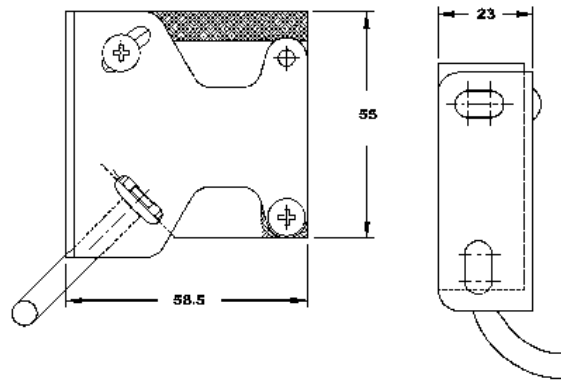
Sensing Distance	4m
Transmitter Diode	Infra-red
Sensing Adjustment	None
Protection Rating	IP65
Operating Voltage	12-240V dc, 24-240V ac - 50/60Hz
Output	Relay
Current Consumption	2VA max
Response Time	15ms
Enclosure	Intensive ABS
Cable	1.5m length
Operating Temp	-20°C to +60°C
Humidity	35% to 85%
Weight	285g

Mute Signalling Photocell Type 109-006

The through-beam infra-red photocell can be used in conjunction with MFU 011-151 and 011-155 to provide the mute initiating signals to terminals B3 and B4 of the MFU.



A safety light curtain with mute control function is often used in the packaging industry. In conjunction with a 1000 Plus Series light curtain and an MFU 011-151 and 011-155 two photocells are positioned to scan across a conveyor, to detect loaded pallets prior to the load interrupting the light curtain. The photocells are positioned to scan across a conveyor, to detect loaded pallets prior to the load interrupting the light curtain.



Type 109-006 photocells have a maximum sensing range of 10 metres. Each transmitter and receiver comes complete with a 1.5m cable.

Model number	Description
109-006	Through-beam photocell kit

Sensing Distance	10m
Transmitter Diode	Infrared
Sensing Adjustment	None
Protection Rating	IP65
Operating Voltage	12-240V dc, 24-240V ac - 50/60Hz
Output	Relay
Current Consumption	2VA max
Response Time	15ms
Enclosure	Intensive ABS
Cable	1.5m length
Operating Temp	-20°C to +60°C
Humidity	35% to 85%
Weight	285g

Remote Mounting Stackable Beacons

A range of Stackable Beacons are available.

They are typically used where the machine application requires visual indication of control functions from a single location. The translucent plastic lenses provide all round light visibility and can be programmed to provide either flashing or a steady output. The bright LED's are supplied in a variety of colours as listed below.



Smartscan Remote Mounting Stackable Beacons

Model number	Description
105 - 801	High intensity LED stackable beacon kit - Red
105 - 802	High intensity LED stackable beacon kit - Orange
105 - 803	High intensity LED stackable beacon kit - Green
105 - 804	High intensity LED stackable beacon kit - Blue
105 - 810	Monitored mute beacon module

Mounting Stands

Designed to accommodate our range of safety light curtains.

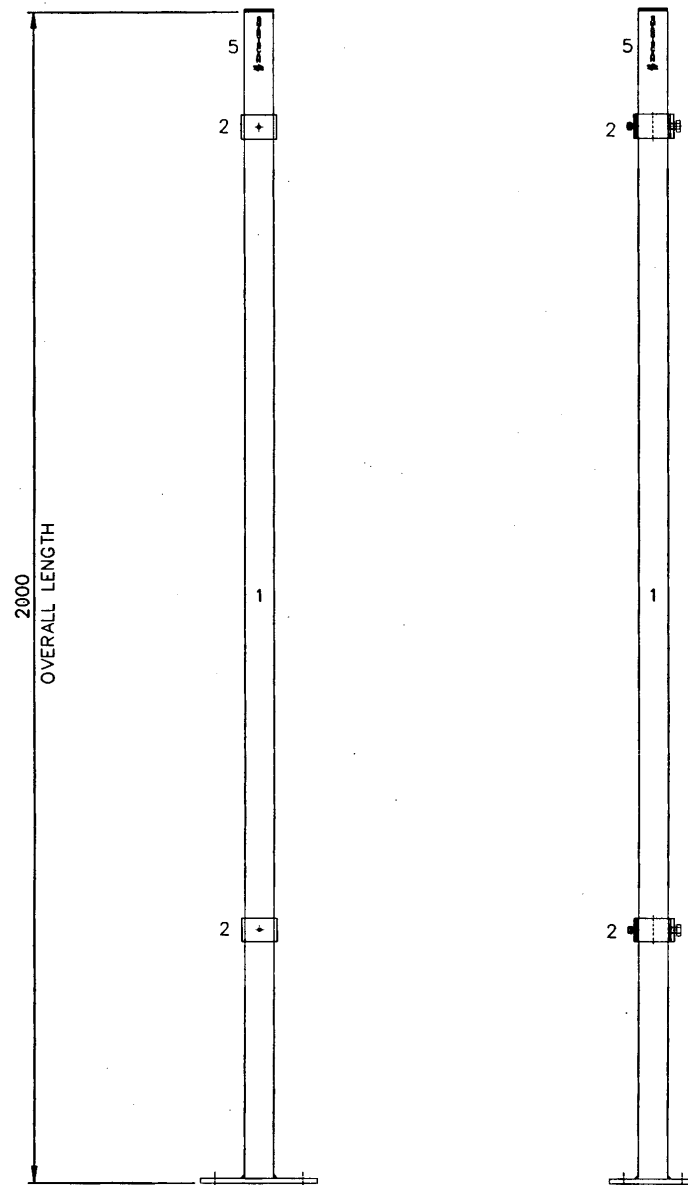
The **Adjustable Stand** (50mm x 50mm) offers the user a flexible mounting option. The stand has adjustable brackets that allow the safety light curtain to be mounted at different positions to suit a specific application. Brackets for mounting mute signalling photocells on the stand are also available.

The **Channel Stand** allows the user to mount the safety light curtain inside a protective housing. This provides protection on three sides to give a more robust installation. Channel stands would typically be used where the safety light curtain is at risk of damage from fork lift truck operations, or in the case of end-of-line applications damage from falling pallet loads.

Adjustable Mounting Stands

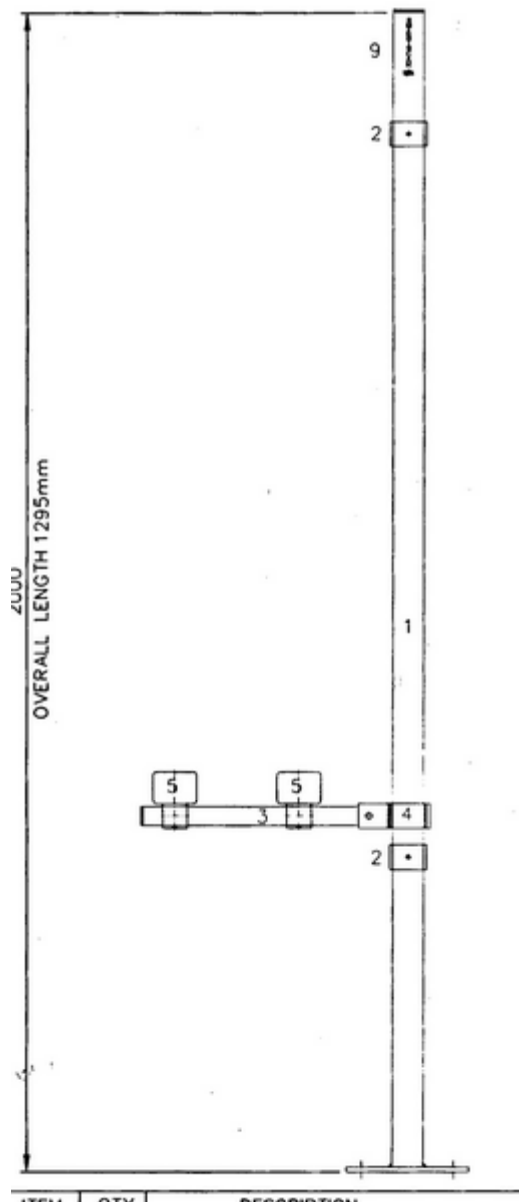
Straight stands

Model number	Description	Height
044 – 408	Pair of adjustable straight stands (with complete bracket set)	2m



L stands (exit systems)

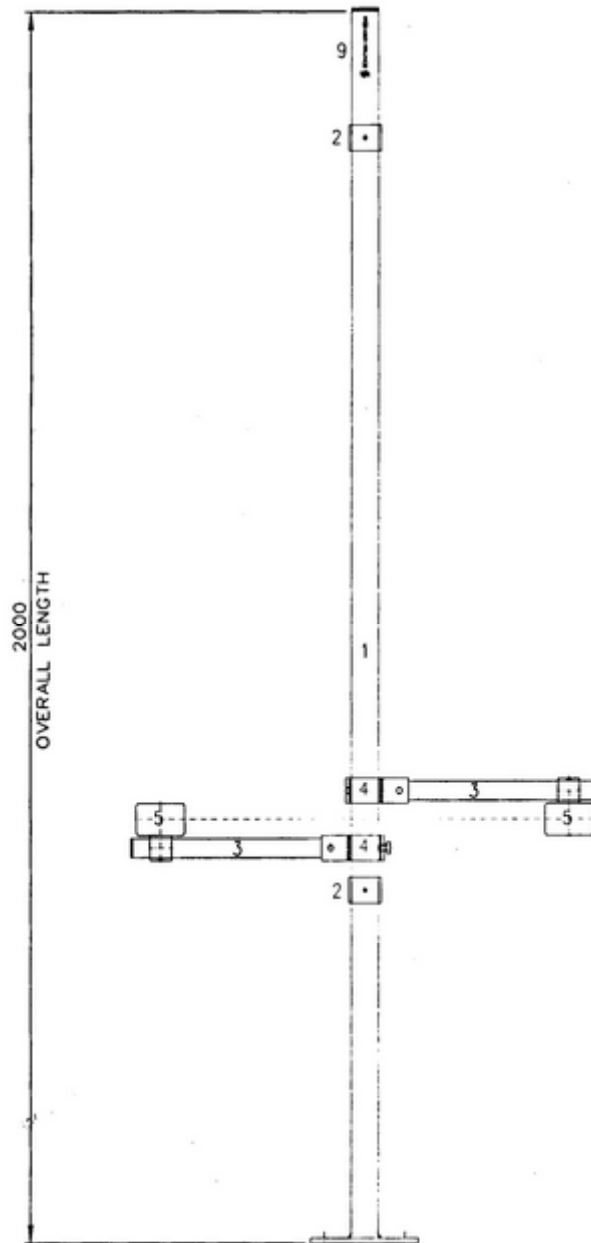
Model number	Description	Height
044 - 412	Pair of adjustable 'L' style stands (with external mute sensor bracket sets)	2m



044 - 412

T stands (entry / exit systems)

Model number	Description	Height
044 - 400	Pair of adjustable 'T' style stands (with external mute sensor bracket set)	2m

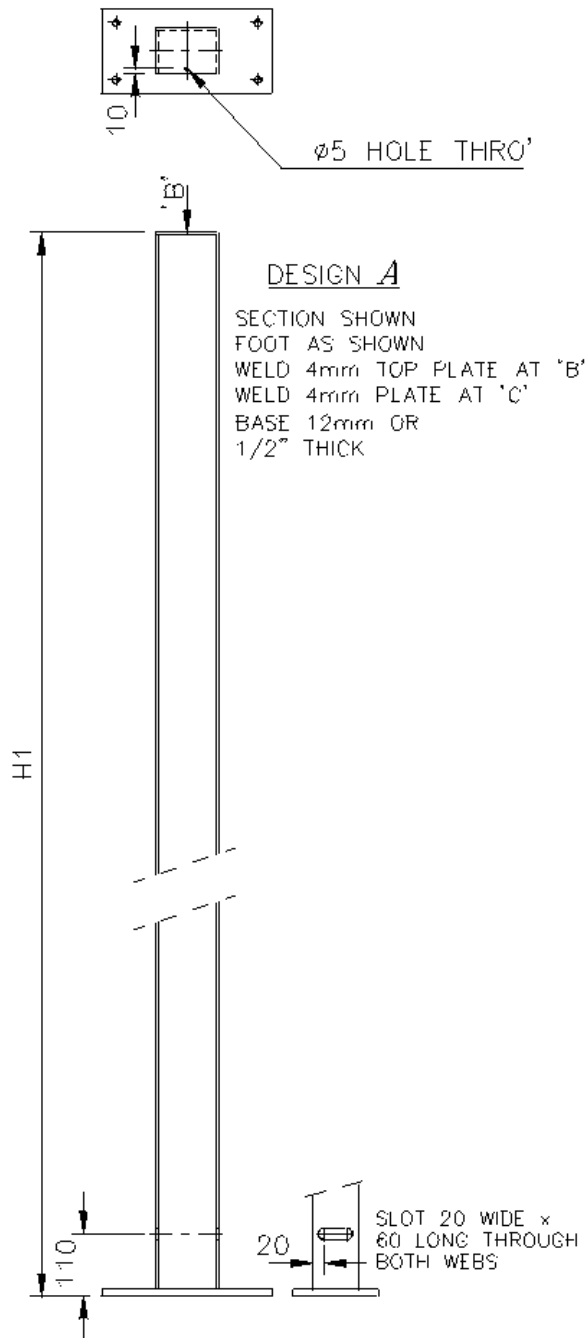


044 - 400

Channel Mounting Stands

Straight stands

Model number	Description	Height
044 - 118	Pair of channel floor stands (straight)	1.5m
044 - 218	Pair of channel floor stands (straight)	2m



Safety System Solutions



Smartsan recognise the difficult balance that customers have to make between meeting Health & Safety legislation requirements and managing their demanding production needs.

Smartsan design and manufacture systems to meet the particular needs of their customer's safety applications - from single machines to full production lines.

We provide our customers with a total service, from initial safety advice through to regular maintenance of their safety systems.



Expert Advice	Risk Assessment
Safety System Design	Product Specification
Safety System Installation	System Maintenance

Mirrors

Reflector mirrors can be provided enabling two or three sides of a machine to be safeguarded with, what is effectively a single light curtain.

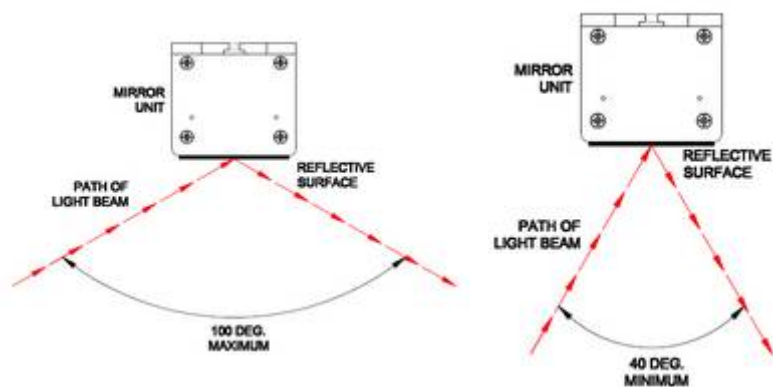
When mirrors are employed it is essential that the mounting of the transmitter unit, receiver unit and mirrors themselves are sufficiently rigid. Alignment becomes increasingly critical as the range and number of mirrors increase. Mirrors cause a reduction in optical efficiency, reducing the effective range. A guide to the practicality of using mirrors is given below.

Range of the light curtain	Maximum range through 1 mirror	Maximum range through 2 mirrors
0.5m - 5m	4m	3m
4m -10m	8m	6.5m

Total Light Path	1 Mirror	2 Mirror
2m#	Easy	Easy
4m*	Easy	Medium
6m*	Medium	Hard
8m*	Hard	Not Feasible

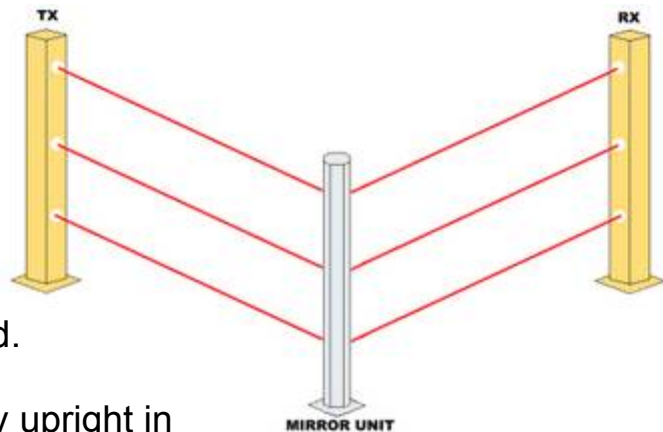
Based upon a 012-105, * Based upon a 012-104

Note: Perimeter curtains will be easy to align, curtains over 900mm may be more difficult to align. Check with the Smartscan technical department prior to ordering for a particular application.



Note: The angle of the light curtain striking the reflective surface must be within defined limits.

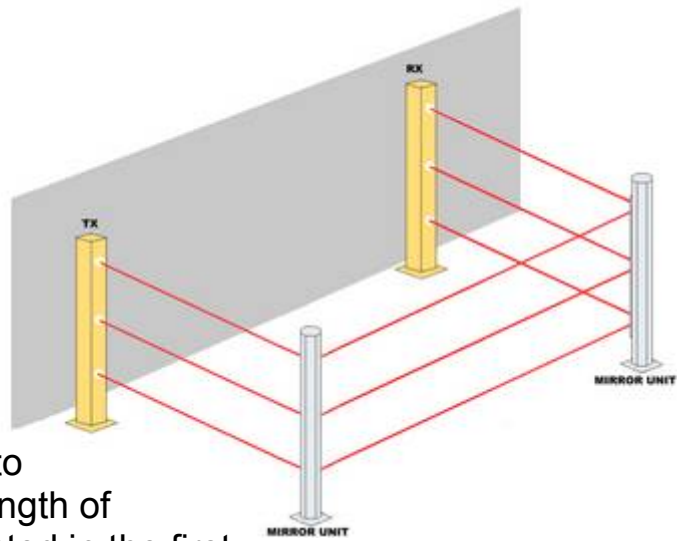
Alignment through one mirror



1. Secure the transmitter, receiver and mirror units in the position in which they are intended to be used.
2. Ensure all units are perfectly upright in all planes by using a spirit level.
3. If the units are floor mounted on stands ensure the floor is even. Shim the floor mounts if necessary to ensure the units are all upright.
4. With one eye looking over the top of the receiver unit in line with the centre of the extrusion look towards the reflective surface of the mirror, in a similar manner to looking through a gun sight.
5. A second person must adjust the mirror to the left and right until the Perspex window of the transmitter unit can be seen reflected in the mirror.
6. If the light curtain is scanning over a long range it may be difficult to see the reflection of the transmitter units Perspex window in the mirror. If so, cut a piece of white paper to the size of the Perspex window and mount directly in front of the window. Now repeat step 5.
7. If the reflection of the white paper is difficult to see in the mirror then employ a third person to hold a flashlight in front of the transmitter unit with the light beam pointing directly in line with the Perspex window towards the mirror. Now repeat step 5.
8. Use shims to ensure the mirror is accurately aligned to enable the infra red beams in the lightcurtain to reach the receiver. Alternatively, fabricate mirror mountings to include some form of adjustment to enable movement both left and right and also forward end backwards from the central axis of the mirror.

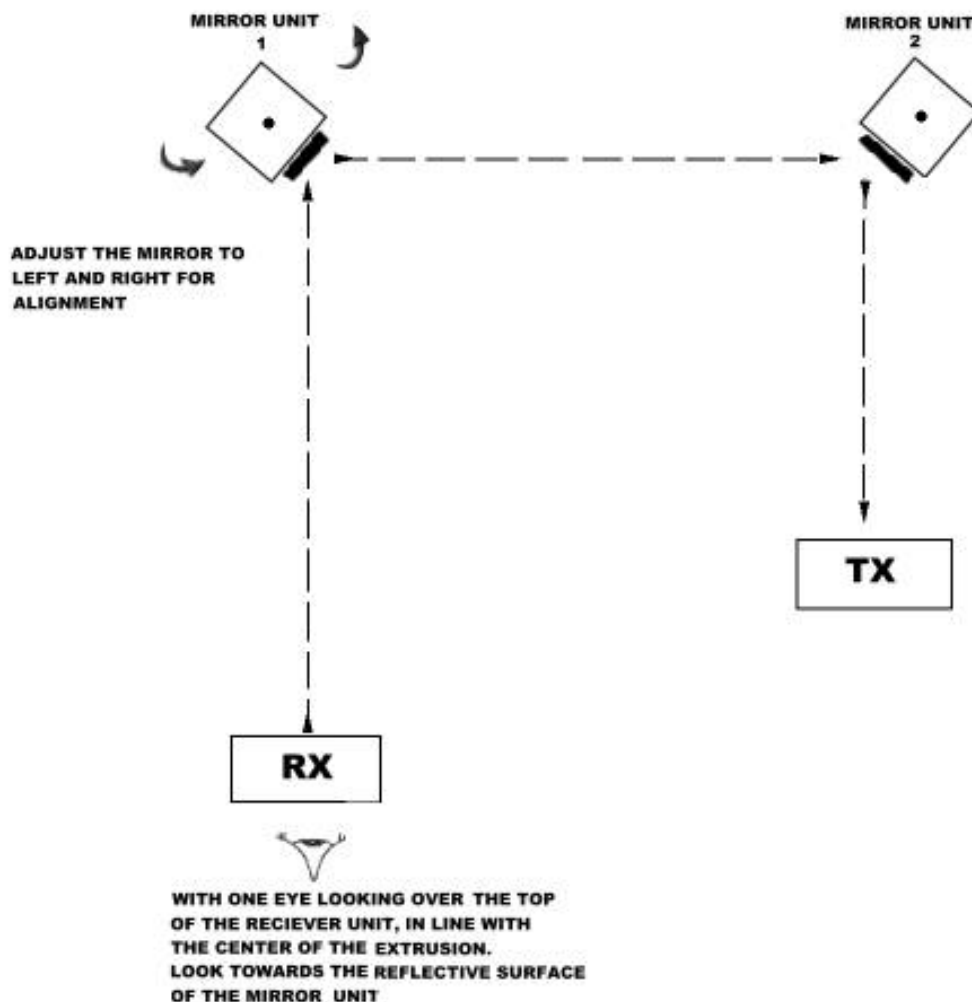
Alignment through two mirrors

9. Follow instruction 1-4
10. A second person must adjust the position of the first mirror to the left and to the right until the entire length of the second mirror is reflected in the first mirror. If difficulties are experienced in seeing the reflection on the second mirror in the first mirror then use a piece of white paper cut to size and position in front of the second mirror.
11. If the reflection of the white paper is difficult to see in the first mirror then employ a third person to hold a flashlight in front of the second mirror with the light beam pointing directly in line with its mirror housing towards the first mirror. Secure the first mirror.
12. Again follow instructions 1 to 4.
13. The second person must adjust the position of the second mirror to the left and to the right until the entire length of the transmitter unit is reflected through both the first mirror and the second mirror. If difficulties are experienced in seeing the reflection of the transmitter unit through both the first then the second mirrors then use a piece of white paper cut to size and position in front of the transmitter unit.
14. If the reflection of the white paper is still difficult to see through the first and second mirrors then employ a third person to hold a flashlight in front of the transmitter unit with the light beam pointing directly towards the second mirror. Secure the second mirror.
15. Ensure the mirrors are directly aligned thus enabling the infra red beams of the transmitter to reach the receiver.



- 15 Alternatively, fabricate mirror mountings to include some form of adjustment to enable movement both left and right and also forwards and backwards from the central axis of each mirror.
16. Now turn on the power to the light curtain and check that the green LED beam indicator, mounted on the receiver unit is 'on'. If not, it may be necessary to finely adjust each mirror in turn to ensure the infra red energy from the transmitter unit is being reflected through the mirror(s) to the corresponding receiver unit.

Alignment of the light curtain using mirrors



Note: The mirror length must be a minimum of 100mm longer than the overall length of the light curtain to be installed eg. 50mm above and 50mm below either end of the light curtain