

Directional valves ► Manually operated

5/2-directional valve, Series 563 131

► Qn= 1100 l/min ► pipe connection ► compressed air connection output: G 1/4



5631-311

Version	Poppet valve not lockable
Actuating element	Hand lever, with detent
Sealing principle	Soft sealing
Working pressure min./max.	0 bar / 10 bar
Ambient temperature min./max.	-25°C / +80°C
Medium temperature min./max.	-25°C / +80°C
Medium	Compressed air
Max. particle size	50 µm
Oil content of compressed air	0 mg/m³ - 5 mg/m³
Materials:	
Housing	Die cast zinc
Seals	Acrylonitrile Butadiene Rubber
Actuating element	Polyarylamide

	Compressed air connection			Qn	Weight	Part No.
	Input	Output	Exhaust			
				[l/min]	[kg]	
	G 1/4	G 1/4	G 1/4	1100	0.71	5631310100

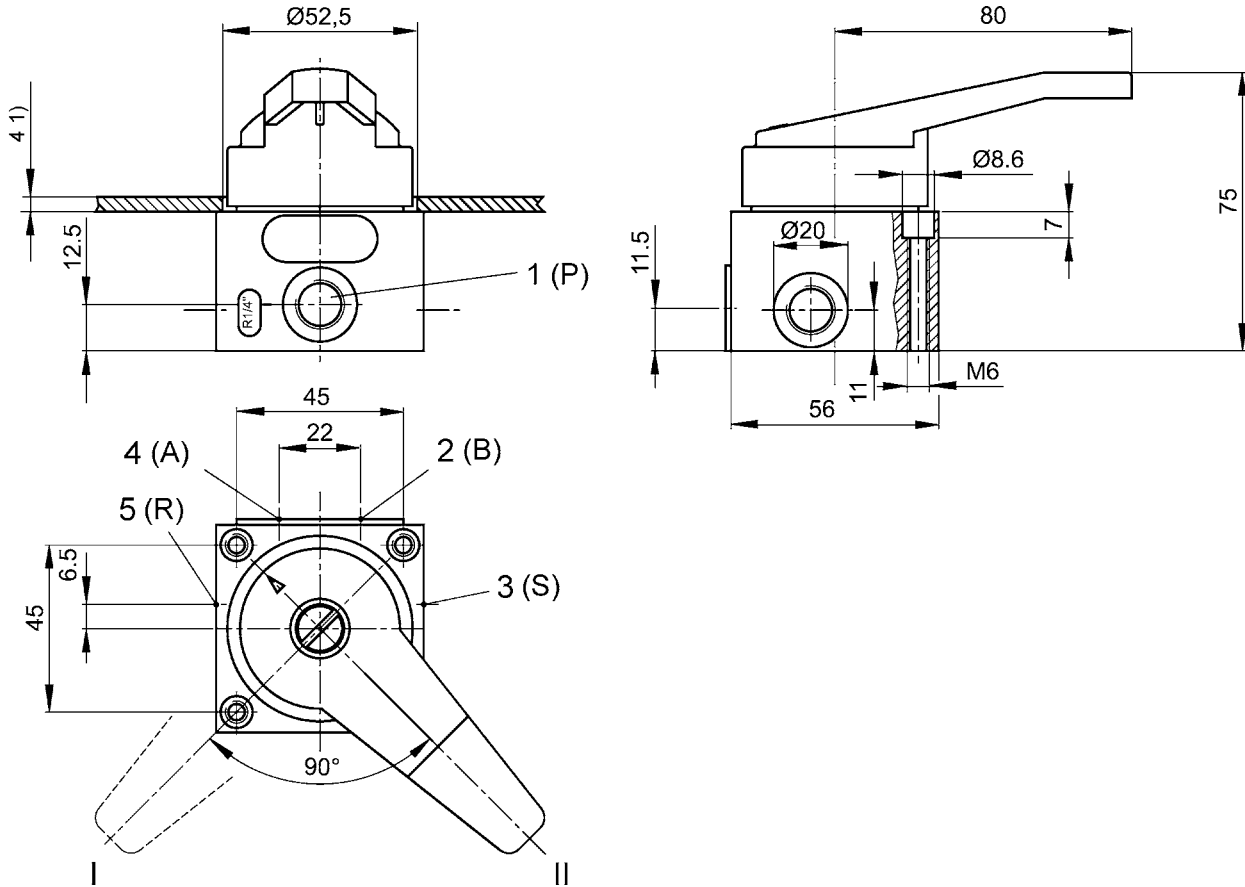
Nominal flow Qn at 6 bar and $\Delta p = 1$ bar

Directional valves ► Manually operated

5/2-directional valve, Series 563 131

► Qn= 1100 l/min ► pipe connection ► compressed air connection output: G 1/4

Dimensions



D563_131

1) Max.
Pos. I: port 1 -> port 4; port 2 -> port 3
pos. II: port 1 -> port 2; port 4 -> port 5