

## Web Tension Sensor BZN

### Scope of Supply

Web tension sensor in flange design with 5 m cable (PVC) and connection variant S1: plug connection, right angled, M12, metal

### Variants

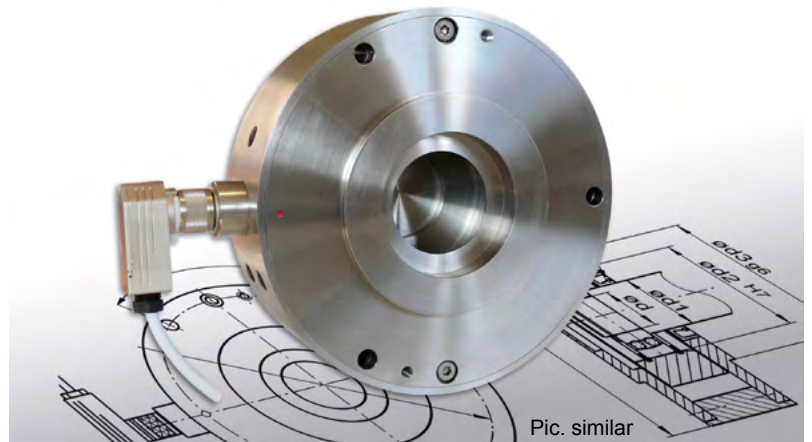
S2: Plug connection, right angled, M12, moulded  
 T: Cable gland, straight with flexible spring cable shield

### Additional Options

Q: Increased protection  
 F: For use in explosive areas, incl. J-Box

### Additional Accessories

Sealing ring  
 Self-aligning ball bearing  
 2 Snap rings  
 Bearing support blocks

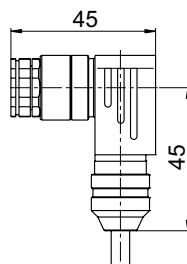


### Special Features

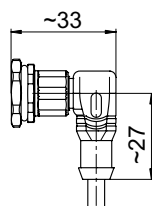
- Made of stainless steel-enclosure meets IP67
- Nominal force ranges follow the geometric progression
- High overload protection - due to mechanical stops
- Small space requirement

### Connections

Variant S1



Variant S2

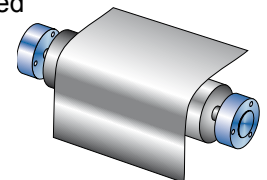


Variant T



The force sensors of the BZN series are designed for the direct measurement of tension forces which occur during the manufacturing and further processing of web materials.

The flange bearing design is optionally suited for mounting to machine frames or to bearing support blocks resulting in a pillow block type mounting arrangement.



Radial force sensors of the series BZN basically consist of the seat of the bearing, the measuring elements and the flange housing with cover disks. The measuring elements function according to the double beam principle. The acting forces are captured by strain gauges applied to the measuring elements. The full bridge strain gauges are designed for maximum signal usage and temperature compensation. HAEHNE offers for all its sensors a corresponding range of amplifiers to condition the measuring signal and deliver the bridge voltage supply.

### Ordering Data

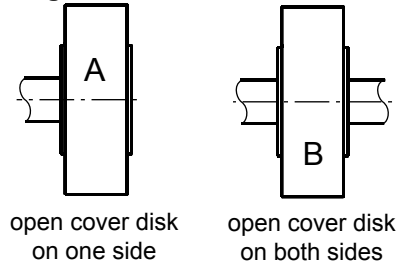
**BZN1-17A400-S1**

Type	-----
Size	
∅ Shaft	
Design	
Nominal force	
Variants / Options	-----



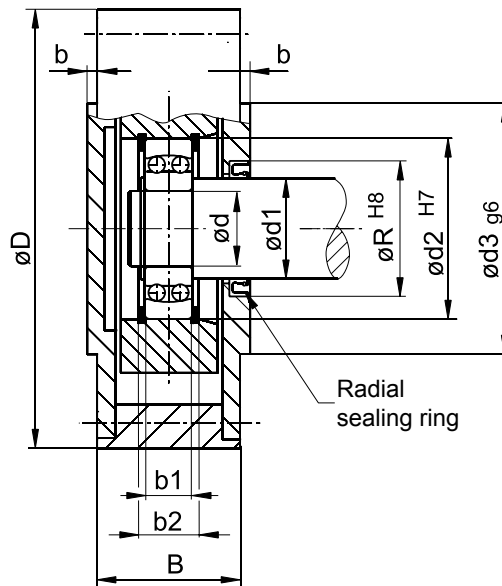
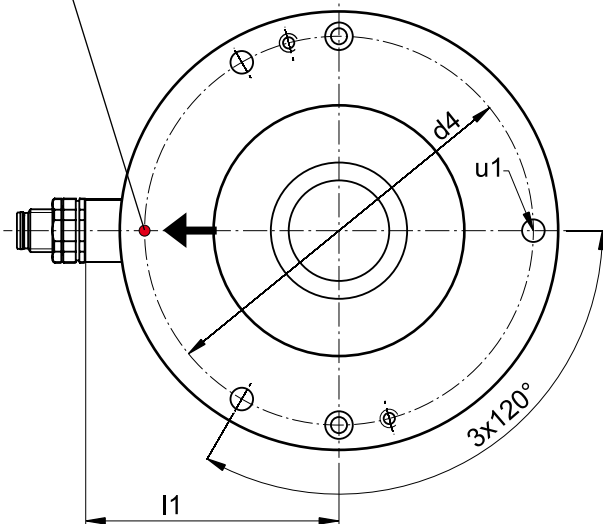
Technical Data	Values (%) based on nominal force
Sizes	1; 2; 3;
Nominal force (Measuring range)	160 ... 4000 N
Max. operating force	160 %
Absolute max. force	1000 %
Nominal rating	1,5 mV / V
Combined error	0,5 %
Nominal ambient temperature	+10...+60° C <sup>1)</sup> (+50...+140° F)
Operational temperature range	-10...+70° C <sup>1)</sup> (+14...+158° F)
Nominal resistance of strain gauge bridge	700 Ω
Bridge supply voltage	10 VDC
Sensor cable (standard)	PVC, grey, 4 x 0,34 mm <sup>2</sup>
Enclosure protection	IP67
<sup>1)</sup> A cable in motion reduce the value to 50° C (122 °F)	

Design



Installation notice (floating-/fixed bearing) and lead colors of sensor cable see "Practice Guide"

Red dot in measuring direction!  
(if forces work in measuring direction, the output voltage is positive)



Dimensions in mm (1 mm = 0.03937 inches)

Size	Nominal force $F_{nom}$ [N]	d	d1	d2	d3	d4	D	B	b	b1	b2	l1	R	u1	recomm. bearing
1	160; 250; 400; 630; 1000	15	20	35	60	90	105	32	3	11	14,2	97	26	6,6	1202 <sup>2)</sup>
		17	22	40						12	15,7		28		1203 <sup>2)</sup>
		20	24	35						11	15,2		32		GE 20 <sup>3)</sup>
2	250; 400; 630; 1000; 1600	20	25	47	70	105	125	40	4	14	17,7	107	32	6,6	1204 <sup>2)</sup>
		25	32	52						15	19,3		42		1205 <sup>2)</sup>
		30	35	47						18	21,7		45		GE 30 <sup>3)</sup>
3	630; 1000; 1600; 2500; 4000	30	40	72	100	155	175	57	4	19	24,3	131	60	9	1306 <sup>2)</sup>
		35	45	80						21	26,3		68		1307 <sup>2)</sup>
		40	50	80						18	23,3		70		1208 <sup>2)</sup>
<sup>2)</sup> Self-aligning ball bearing <sup>3)</sup> Radial plain spherical bearing for fixed axis															
4	1000 ... 15000 N	see Product Description BZE4													