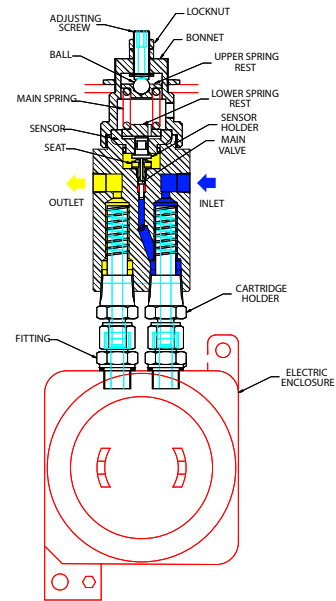


# XHR-301 Series

'Low Flow' Electric and Steam Heated Regulator Piston Sensed for outlet control to 150bar / 2175psi



Assembly drawing for reference only. Refer to office for specific detail

Based on the proven heat transfer design of the XHR-300, the XHR-301 allows greater outlet pressures to 150bar via its piston sensed element.

### Applications:

- Natural Gas sample systems
- Oxygen sample systems
- Moisture sample system

### Features:

ATEX certified to EEx d IIC T3  
 Dual, independent, 100W heaters for pre heat and re-heat of sample gas.  
 316SS Piston sensed element for low torque adjustment and high pressure control  
 Large surface area for heat transfer  
 Easy to wire circuit board with 115V or 230V supply  
 Stylish Junction Box with 7mm mounting supports.  
 Fully serviceable design  
 Optional entry points for cable supply

### STANDARD MATERIALS OF CONSTRUCTION

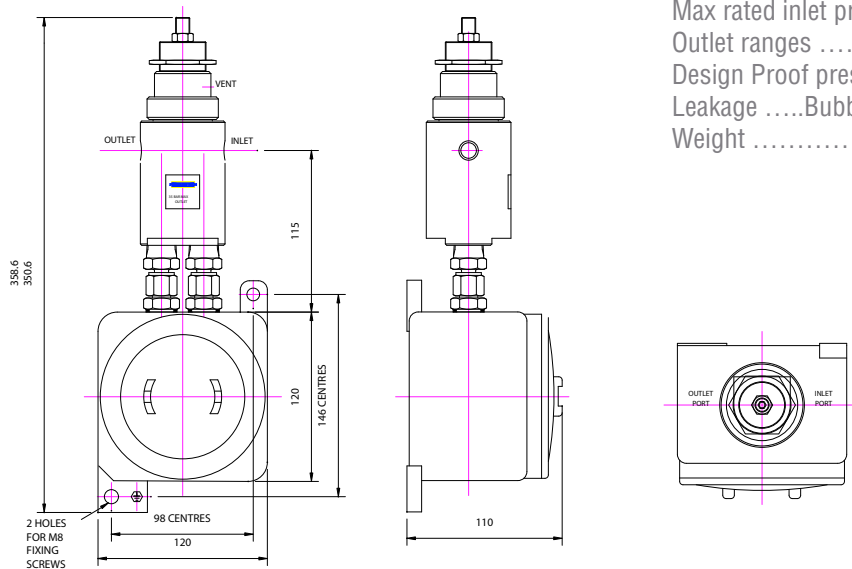
Regulator part	Material
Body and Bonnet	316SS
Main valve pin	316SS
Soft seat cone	PEEK
Valve spring	Inconel X750
Piston	316SS
Sensor Holder	316SS
Diaphragm washer	Brass
Cartridge Holder	316SS
'O' ring seals	Viton
Adjusting screw	Ali Bronze
Electric Enclosure	Coated Aluminium
Compression Fitting	316SS
Lubricant	Krytox GPL 205
Regulator part	Material
Body and Bonnet	316SS

NOTE: Product availability and specifications contained herein are subject to change without notice. Consult local distributor or factory for potential revisions and/or service related issues. // pg 1 of 2

# XHR-301 Series

'Low Flow' Electric and Steam Heated Regulator Piston Sensed for outlet control to 150bar / 2175psi

## INSTALLATION DIMENSIONS:



## SPECIFICATION :

Max rated inlet pressure ..300bar (4350psi) with PEEK seat  
 Outlet ranges ..... up to 150bar (2175psi)  
 Design Proof pressure ..... 150% max WP  
 Leakage .....Bubble tight at max WP (tested on Nitrogen)  
 Weight ..... 4.1kg (2lbs)

## ORDERING INFORMATION:

XHR301 - 06 - SS - 50 - 1 - L - A

Basic Model  
XHR301

Cv Value  
06 - 0.06

Body material  
SS - 316SS

Outlet ranges (Examples\*)  
50 - 0 - 50bar  
75 - 0 - 75bar  
100 - 0 - 100bar  
150 - 0 - 150bar

\* Maximum outlet pressure can be set to specific requirements

Porting configuration  
Refer to office

Power cable supply  
L - Left side  
R - Right side  
B - Bottom side

Heat supply  
1 - 115V  
2 - 230V  
S - Steam

Panel Mounting Ring: PT-C-024

NOTE: Product availability and specifications contained herein are subject to change without notice. Consult local distributor or factory for potential revisions and/or service related issues. // pg 2 of 2