

SPS01 Programmable Syringe Pump

- ▶ Automated fluid delivery
- ▶ Direct connection to 360 μm , 1/32" or 1/16" OD tubing
- ▶ Interchangeable syringes
- ▶ Use with uProcess software for coordinated control



Specifications

SPS01 Syringe Pump Part Number SPS01 [XXX]-[YYYY]

Volume [XXX]	Max Volume (μl)	Min Flow Rate ($\mu\text{l}/\text{min}$)	Max Flow Rate ($\mu\text{l}/\text{min}$)	Step Size (μl)	Max Pressure (psig)
004	5	0.05	140	0.008	> 500
008	10	0.10	280	0.017	> 500
020	20	0.20	550	0.033	> 500
040	50	0.50	1400	0.083	300
080	100	1.0	2800	0.17	200

Model [YYYY]	Capillary or Tubing Interface	Available Models
C360	360 μm OD capillary via p/n C360-100	004, 008, 020, 040, 080
T132	1/32" OD capillary via p/n T132-100	020, 080
T116	1/16" OD tubing via p/n T116-100	020, 080

Accuracy

Volume	~1% (infuse direction)
Flow Rate	~1% (infuse direction)

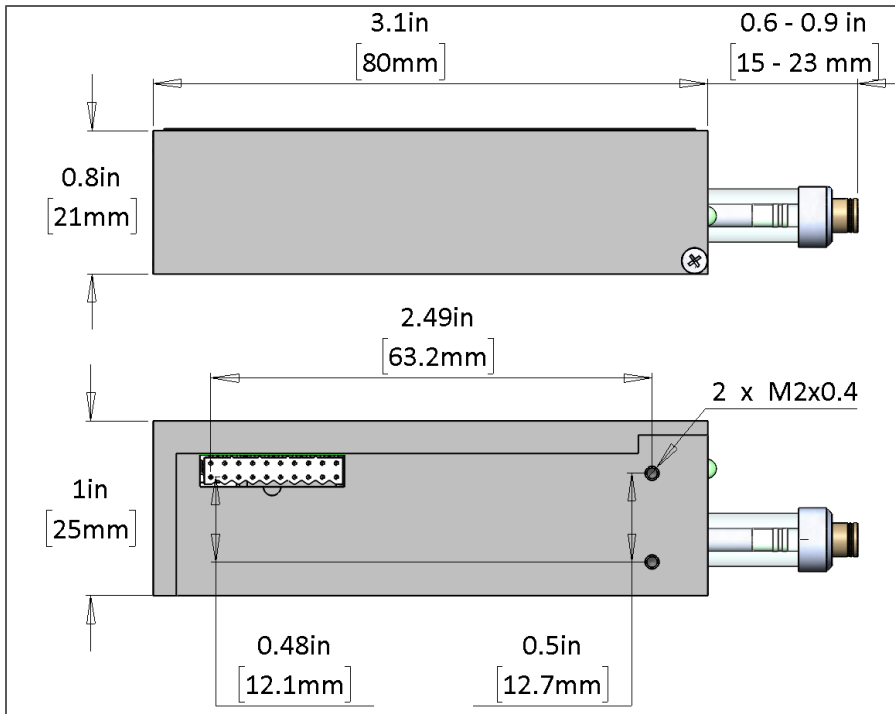
Other Specifications

Stroke Length	12 mm
Driver motor	Stepper motor
Service Temperature Range	50-176°F (10-80°C)
Cleaning	Wetted parts can be chemically sterilized or autoclaved
Electrical connection	2.00 mm pitch, 20 pin, dual row receptacle

Accessories

EIB200 Automation Interface	Required for control of SPS01 syringe pump and other uProcess devices via uProcess™ software; includes software, LabVIEW™ drivers, and SDK
uProcess breadboard	Optional platform for mounting SPS01 syringe pumps and other microfluidic devices. p/n uPB-05, uPB-08, uPB-12, or iBB
SPS-TOOLS	Hex tool for plunger removal/installation, hex wrench to secure glass.

Dimensions

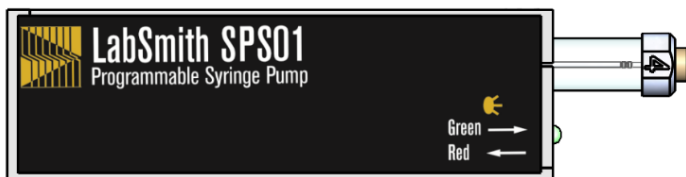


Syringe volume engraved on collar



Syringe model type is indicated by scribe marking on PEEK interface

- 2 lines: T116, interface to 1/16" OD tubing
- 1 line: T132, interface to 1/32" OD tubing
- 0 lines: C360, interface to 360 µm OD capillary



CAD model available upon request