

sensorProbe1+ (SP1+B / SP1+THS)

Simple, Yet Powerful Monitoring



SP1+B comes equipped with 1x intelligent sensor input and 1x dry contact digital I/O a hard wired temperature sensor on 5ft cable, and PoE as standard. Connect AKCP sensors such as temperature sensors, thermal maps and water leak detection.


The SP1+B comes with a basic set of software functions, which can be upgraded through a software license.

OPTIONS:


- **5VDC Power** - External power supply, used in combination with PoE as a redundant power input
- **Modbus RS485** - Convert the dry contact I/O input to Modbus RS485.
- **Mini Relay** - Convert the dry contact I/O to a mini relay
- **Dual Temp/Hum Sensor** - Convert the temperature sensor to dual THS.

SP1+B - Basic and Professional


The below table shows the features included with the SP1+ Basic, and the benefits of upgrading to the Professional license.



SP1+



SP1+B

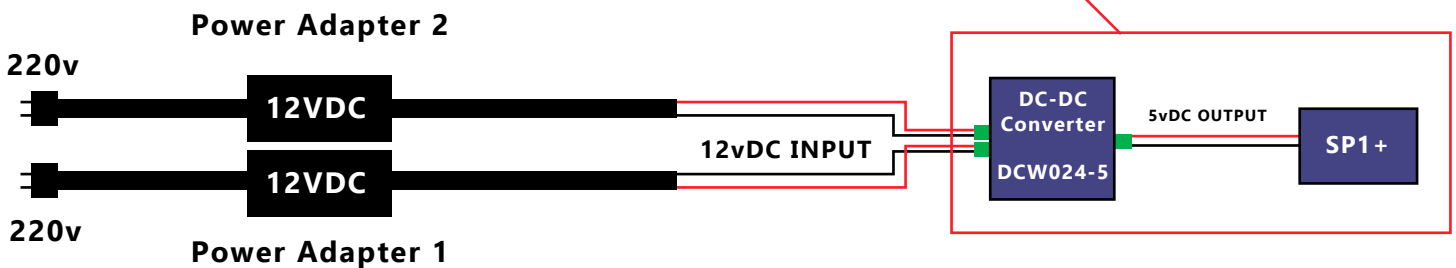
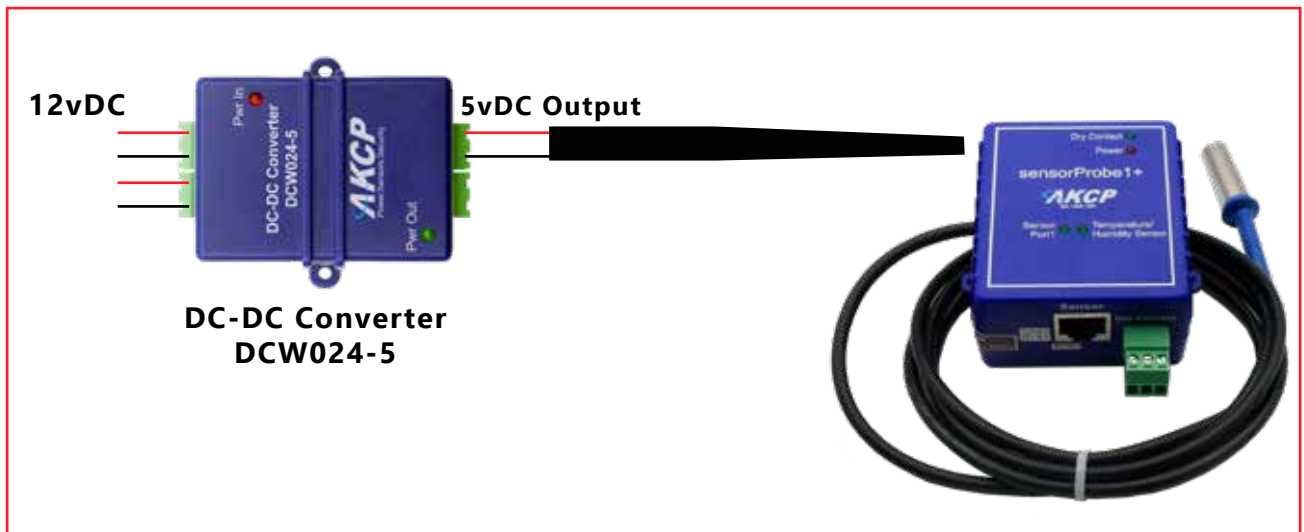


SP1+PRO

	SP1+B	SP1+PRO
Dry Contact	—	—
Virtual Sensors	—	5
Event Log	✓	✓
Notifications	✓	✓
MQTTS	✓	✓
Graphs	✓	✓
Maps	—	✓
3rd Party Modbus	—	✓
IPv6	—	✓
SNMPV3	—	✓
VPN	—	✓
Access Control User	—	✓
RADIUS	—	✓
Heartbeats	—	✓
Modbus	—	✓
Cloud	—	✓
Authentication	—	✓

SP1+B / SP1+THS - Dual Power Inputs

SP1+B can be powered with dual inputs. PoE comes as standard, and an additional AC or DC source can provide primary power with PoE providing backup power. Or, in the absence of PoE dual inputs are available through our external DC-DC conversion box.



Example of dual / redundant 12VDC power input

SP1+B / SP1+THS- Technical Specification

Dimension	Size 82 x 72 x 35 mm Weight 0.2 Kg
Network Interface	Standard 10/100 Mbps Full Duplex Ethernet RJ45 Port
Mounting	Mounting Screw mounting Built in DIN Rail Clip and cable tie loops
Power Requirements	PoE IEEE 802.3af support Optional external 5.5V 3A Power Adapter Input Voltage and Current ratings : 100V~240V - 0.22A Optional external 12-24 or 40-60 VDC dual inputs
Status Indication	LED indication for Power LED for network connectivity LED for sensor online and threshold status LED for dry contact input status
RJ-45	1 RJ45 Sensor Ports for connecting AKCP Autosense Sensors
Components	Manufactured using highly integrated, low power surface mount technology to ensure long term reliability.
Operating Environment	Temperature : Min. 0°C - Max. 70°C (Industrial Option available for Min. -25°C - Max. 70°C) Humidity: Min. 20% – Max. 80% (Non-Condensing)
MTBF	1,400,000 Hours based on field experience with sensorProbe+ units.
Inputs	1x RJ45 Sensor Port 1x Dry Contact I/O (0/5VDC) 1x 10/100 Ethernet Port 1x hard wired 5ft temperature sensor / Dual temperature and humidity sensor (SP1+THS) 5x free virtual sensors (additional unlocked via license)
Outputs	Configurable output signals (0VDC/5VDC) on the 4 RJ45 sensor port
Max Sensors	Maximum of 400 onlined sensors, including virtual sensors.
Maximum Number of Access Control Users	500 Users 100 Users default
Protocols *Requires Pro License ** Requires Additional License	Rsyslog* MQTT / MQTTS* SNMP V1/2 /3 IPV6* RADIUS** TACACS** HTTPS Encrypted E-mail
5 Dry Contact	5 dry contact input sensor
Virtual Private Network (VPN)	VPN - Connect to AKCPro Server from your base unit through VPN over Ethernet or cellular network.
Virtual Sensors	Virtual sensor (pack of 5 sensors). Maximum of 80 virtual sensors. Comes with 5 free virtual sensors.
500 Access Control user database	500 users for access control
IPV6	Support for IPV6 network addresses
Radius	Radius user authentication server connection. TACACS authentication to Radius. Requires license.

SP1+B / SP1+THS - Technical Drawing

