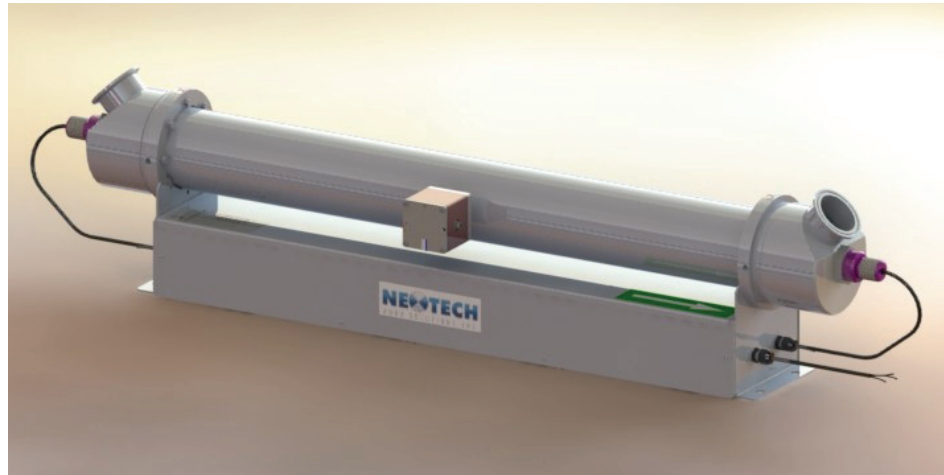


NeoTech D338™

Ultrapure Water Disinfection & Ozone Destruction

- Pharmaceutical • Microelectronics • Medical • Remediation • Beverage
- Commercial/Industrial • Pool/Spa • Waste Water • Drinking Water • AOP



The NeoTech D338™ is specially designed to disinfect water and is an essential component in advanced oxidation processes.

This high-efficiency UV system utilizes NeoTech Aqua's patented ReFlex™ chamber technology, reflecting over 99% of the 254nm UV generated. It is the highest efficiency, smallest footprint, and lowest operating cost UV system in the water treatment industry.

With only a single thirty-eight inch lamp, the D338™ provides users the most convenient and lowest cost service schedule of any low pressure or medium pressure UV system today.

MAXIMUM UV PENETRATION

The NeoTech D338™ provides users an unparalleled level of engineering sophistication by maximizing UV distribution in a patented 99% reflective chamber. This unique technical advantage also reduces the number of lamps and power requirements by up to 90% compared to standard UV systems.

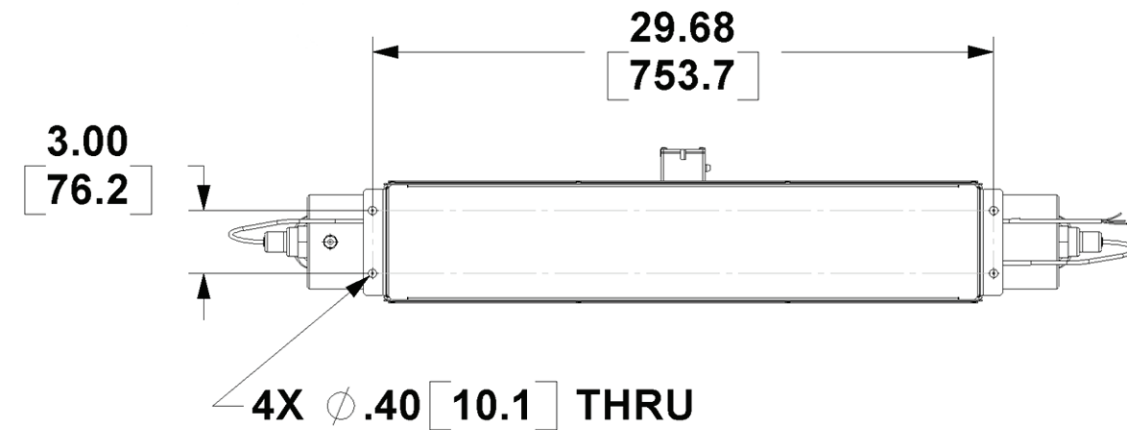
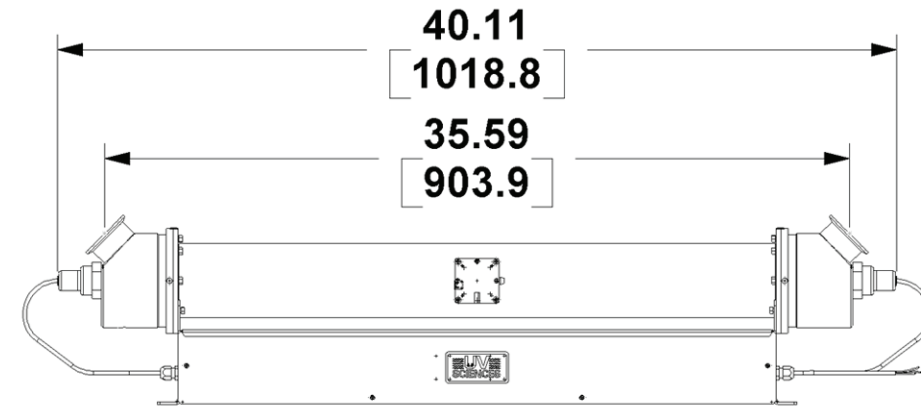
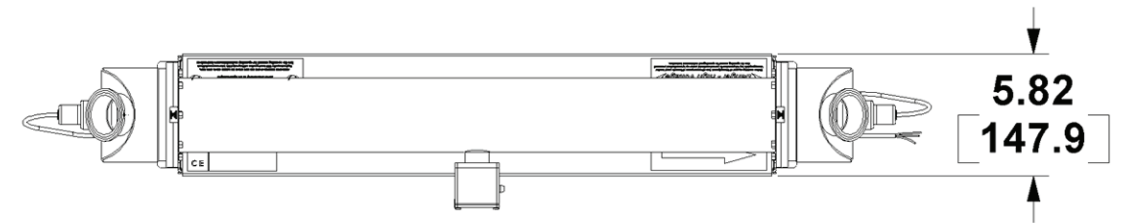
MINIMAL MAINTENANCE AND SERVICE

The service and maintenance requirements for the NeoTech D338™ are limited to three basic requirements:

- Lamp Replacement: No Tools Required
- UV Monitor: May be changed with a single screwdriver while the system is operating
- Cleaning: May be cleaned as needed in a CIP loop or manually brushed.

UNPARALLELED EFFICIENCY

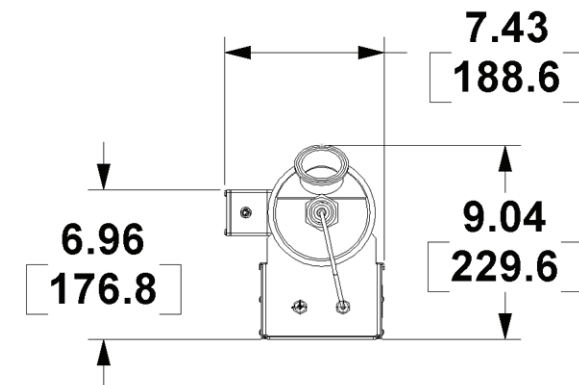
The NeoTech D338™ boasts the smallest footprint in its class. With as few as one-tenth as many bulbs compared to standard UV systems, it has the lowest operating cost and maintenance schedule in the field.



OPTIONS AND SPARES

Description	Part Number
Light Trap Kit*	UVLTK-3
Cleaning Kit	CK-3-1
Amalgam Lamp Kit	LK-38
Lamp Sleeve Kit	QSK-38
UV Monitor Calibration	UVIM-CAL
Ballast Kit, 120V	BK-120
Ballast Kit, 230V	BK-230

* Reflected UV light may be harmful to nonmetallic surfaces, such as PPL, PVC, and other plastics. Therefore, it is recommended that a light trap be installed on your unit.



PRODUCT BENEFITS

- Single lamp efficiency processes up to 225 gallons per minute
- 75% smaller footprint compared to standard UV systems
- May be mounted vertically or horizontally
- Up to four units may be controlled with a single micro-control box
- Built for 120V or 230V single phase power providing maximum flexibility
- No flow, no problem – guaranteed 60 minutes
- Water contact finish – Ra-15
- Controller- Remote
- Alarms, Remote Control, 4-20 mA output
- Real time dosimetry, 100% dosage assurance – with constant flow
- UV monitor is NIST traceable
- Sanitization in place – hot water or steam
- No-tool lamp change
- NSF Standard 50 certified
- Warranty one year parts and labor

SPECIFICATIONS

Flow Rate - gpm (m ³ /hr.) - 99% UVT @ 40mJ/cm ² ^A	225 (51.1)
Flow Rate - gpm (m ³ /hr.) - 99% UVT @ 30mJ/cm ² ^A	225 (51.1)
Flow Rate - gpm (m ³ /hr.) - 95% UVT @ 40mJ/cm ² ^A	200 (45.4)
Flow Rate - gpm (m ³ /hr.) - 95% UVT @ 30mJ/cm ² ^A	225 (51.1)
Number of High Output Amalgam Lamps	1
Lamp Life - Hours*	9000
Operating Power - watts	154
Operating Pressure - psi (bar)	150 (13)
Operating Temperature - °F (°C)	36 - 104 (2 - 40)
Pressure Drop at rated flow - psi (bar)	14.4 (1.25)
Dry Weight - pounds (kg)	51.4 (23.4)
Dimensions (L x H x D) - inches	40.1 x 7.4 x 9.0
Dimensions (L x H x D) - millimeters	1019 x 189 x 230
Sanitary Fittings - Standard*	2 in.

^A At rated pressure drop.

* Lamp life is based on a maximum of one on-off cycle per day and room temperature water.

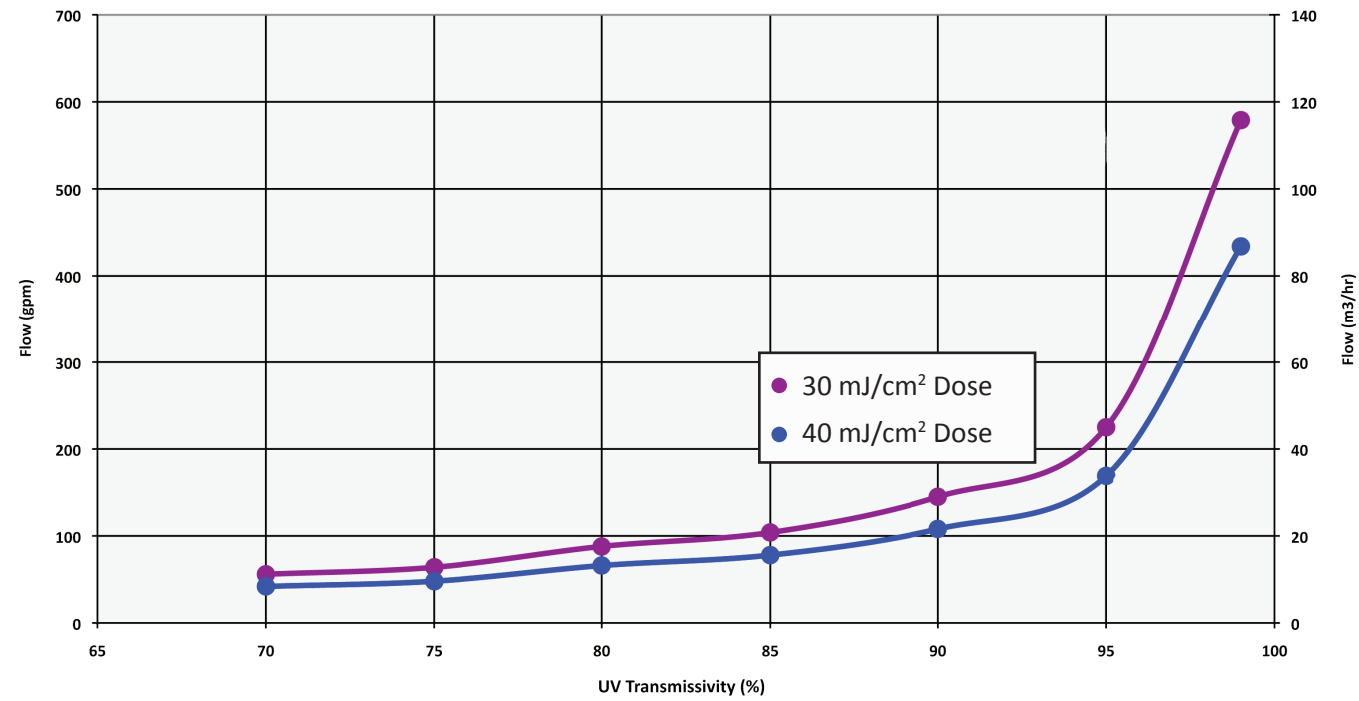
* All units come standard with sanitary tri-clamp fittings for improved reliability, sanitation, and ease of installation. Alternative connections are available upon request.

NeoTech D338™

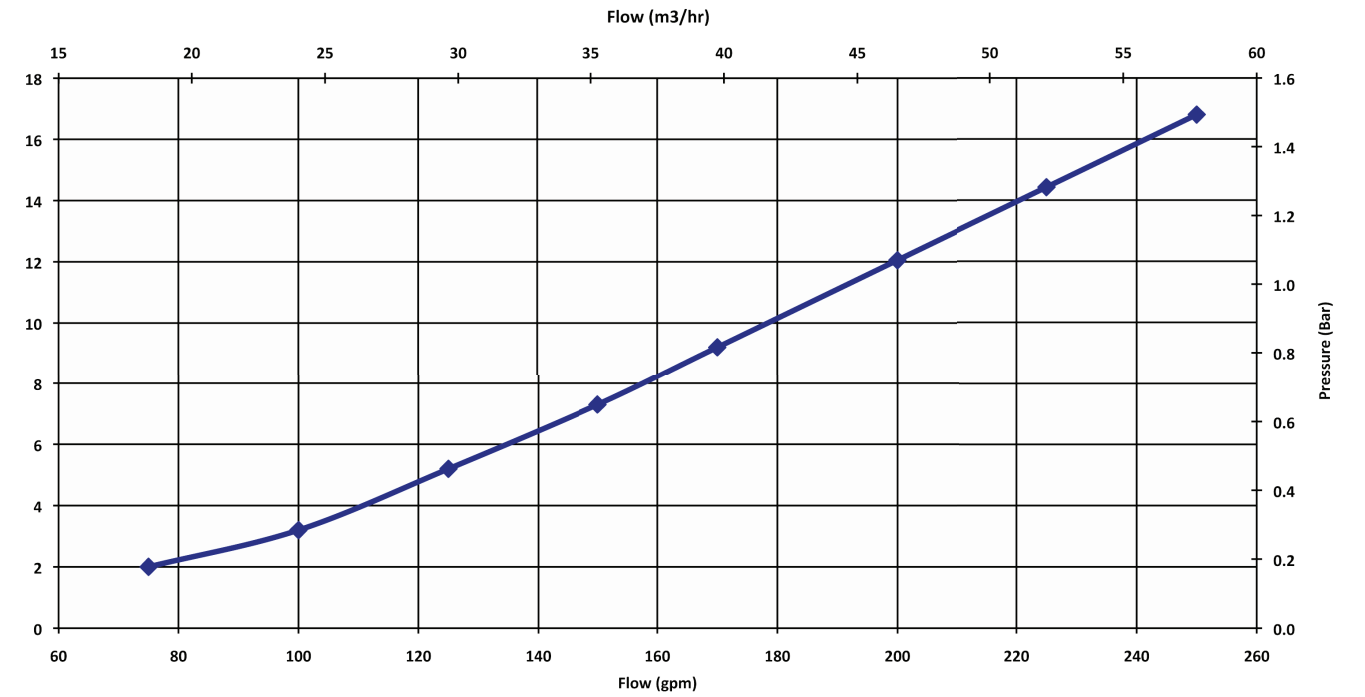
Ultrapure Water Disinfection & Ozone Destruction

- Pharmaceutical • Microelectronics • Medical • Remediation • Beverage
- Commercial/Industrial • Pool/Spa • Waste Water • Drinking Water • AOP

D338 Flow vs. UVT



D338 Head Loss



The UV transmissivity (UVT) of the treated water, combined with the flow rate through the unit, determine the UV dosage applied to the water. Particles in water typically absorb or reflect UV light which affects the water's UV transmissivity. NeoTech Aqua's units are rated based on a UVT of 95%. The above graph illustrates the appropriate rating for the D338 based on varying UVT levels. The NeoTech Aqua Solutions technical team provides complimentary UVT analysis on customer-supplied water samples to ensure proper UV equipment sizing. Please contact your NeoTech Aqua representative for assistance.