

The promise of precision, every time.



www.mac-weld.com

Revised (07/25/2022)

Tri-Clamp (Sanitary) Thermowells

Designed for food processing or pharmaceutical production



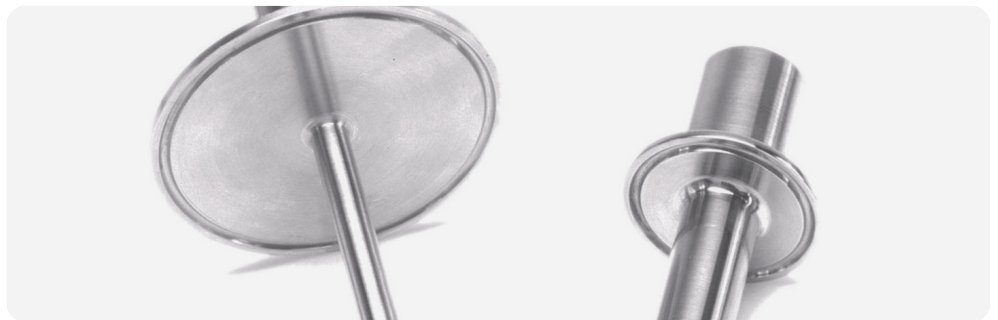
Our thermowells have limitless application possibilities and they come in a variety of designs and materials.

Sanitary thermowells are typically used when contaminants could collect in exposed threads, such as pharmaceutical or food processing production. The polish and large radius between the stem and face help support easy cleaning.

Also referred to as tri-clamp thermowells, they isolate and protect internal temperature sensors from high velocity and corrosive media applications. Thermowells ensuring accurate readings and increased longevity from the internal instruments, while also allow much easier maintenance when a sensor does malfunction since it can be accessed without shutting down the entire process.

Features & Benefits:

- Available in various shank styles; stepped, straight and tapered
- Stamped with material and heat number mill
- Standard or customized shank dimensions and styles
- Large selection of materials available
- Various NDT options
- NACE compliant



Product Part Breakdown

Visit www.mac-weld.com for a complete list of available part options specific to each type and style of thermowell.

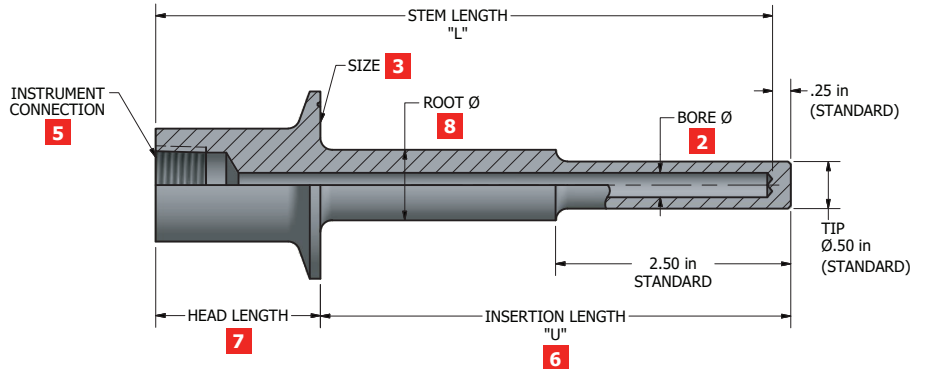
1	Thermowell Stem Style
2	Bore Size
3	Tri-Clamp Size
4	Material
5	Instrument Connection
6	Insertion Length
7	Head Length
8	Root Diameter
9	Tip Diameter
10	Unit of Measurement

We have one of the largest selection of thermowells available, including dozens of styles and configurations.

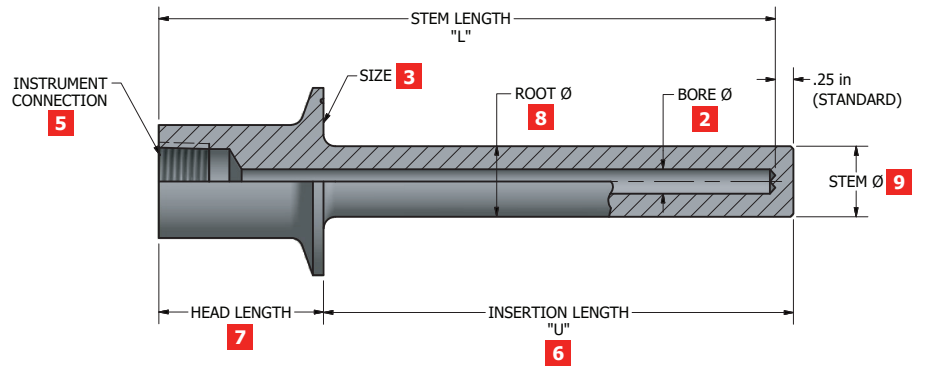
- Flanged
- Threaded
- Socket-Weld
- Vanstone
- Weld-In
- Tri-Clamp
- Limited Space
- Helical



1 Stepped Tri-Clamp (TW91)



1 Straight Tri-Clamp (TW92)



1 Tapered Tri-Clamp (TW93)

