



JB 200 PUMP

Applications:

- Cutting, turning, milling, boring, grinding and similar applications of the machine tools,
- Filtration systems,
- Treatment systems,
- Cooling systems,
- Circulation systems. JB Pumps are used for pumping of cutting / cooling fluids.

Fluid Specifications:

- Coolants,
- Cutting oils,
- Grinding oils,
- Water,
- Chip contains liquids (max. 10mm)
- Fluid temperature 0...80 °C
- Kinematic viscosity 1...90 mm²/s

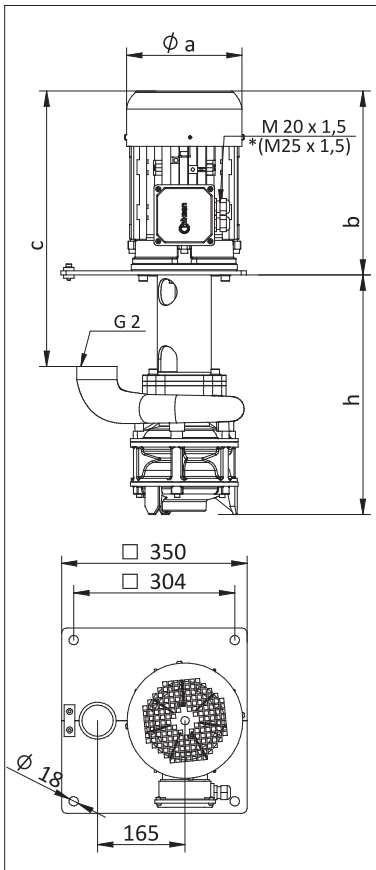
Materials:

Pump body	: Cast iron - DIN GG 25
Volute	: Cast iron - DIN GG 25
Diffusor	: Cast iron - DIN GG 25
Suction Cover	: Cast iron - DIN GG 25
Impeller	: Investment casting steel - AISI 4140 (DIN 42CrMo4)
Pump shaft	: Engineering steel - AISI 1040 (DIN C35)
Electric motor	: 3 phase induction motor IE3 - 2 pole Protection degree IP 55

* JB 200 pumps can be optionally equipped with an axial impeller.

** Please contact us for different immersion depth.

DIMENSIONS & NOMINAL VALUES



TYPE	Depth of Immersion h (mm)	mm			Weight kg	Power kW	Voltage V(Δ /Y)	Frequency Hz	Rated current A	Speed rpm
		a	b	c						
JB 201/300	300	176	274	446	40.5	1.5	230/400	50	5.72/3.3	2910
JB 201/520	520			666	47.0					
JB 201/740	740			886	53.5					
JB 202/375	375	194	338	510	55.5	3.0	230/400	50	10.39/6.0	2905
JB 202/595	595			730	62.0					
JB 202/815	815			950	68.5					
JB 203/450	450	218	347	519	69.5	5.5	230/400	50	17.15/9.9	2900
JB 203/670	670			739	76.0					
JB 204/525	525	258	438	610	100.0	7.5	400 Δ	50	14.0	2930
JB 204/745	745			830	106.5					

* The performance curves are based on $1 \text{ mm}^2/\text{s}$ (cSt) kinematic viscosity values and 997 kg/m^3 density
 ** Curve tolerance according to ISO 9906:2012 Grade 3B.

Performance Curve

