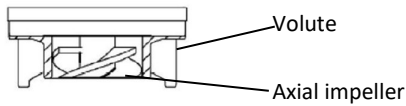
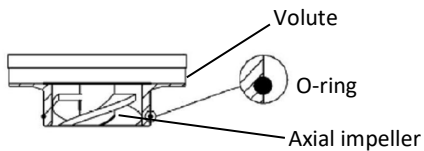


GPA/GPF PUMP

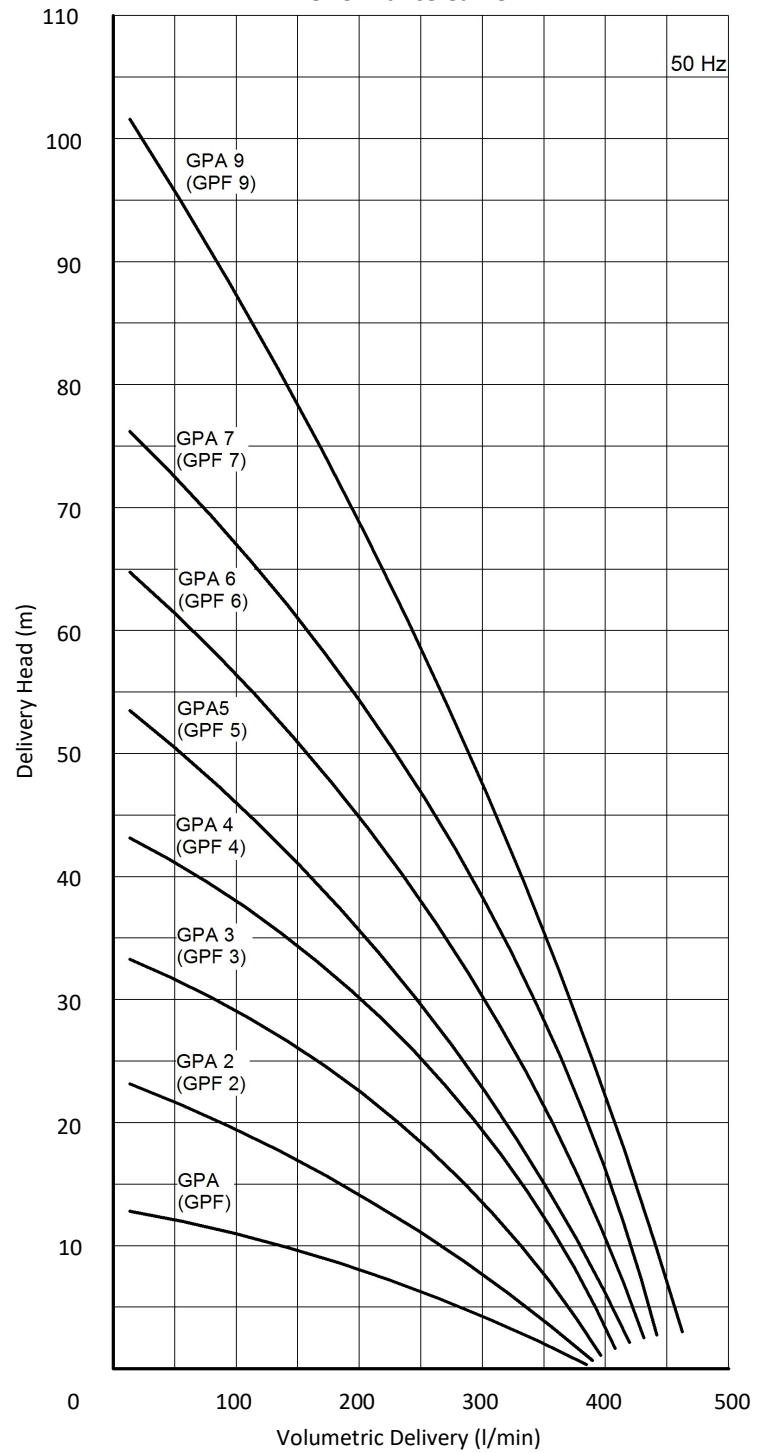


GPA - Axial front impeller pump



GPF - Axial front impeller pump with o-ring

Performance Curve



GPA PUMP

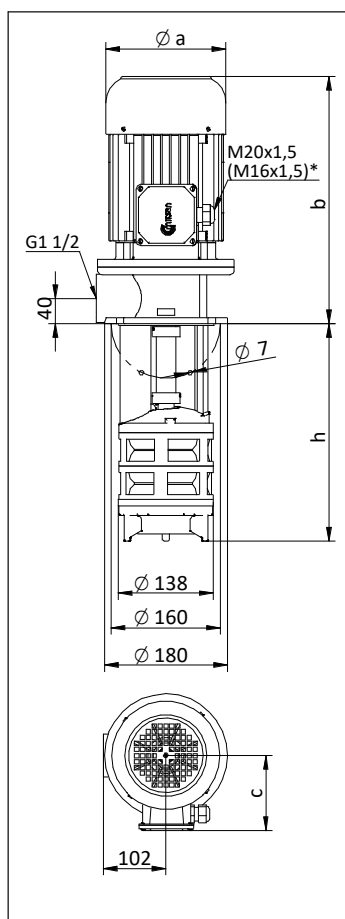
Applications:

- GPA pump has an additional axial impeller,
- It is used for pumping the liquid foam resulting from high-speed machining operations,
- Pumping metal chips together with the fluid by mixing,
- Filtration systems,
- Hot liquid applications,
- GPA Pumps are used for pumping of cutting / cooling fluids in circulation systems.

Fluid Specifications:

- Coolants,
- Cutting oils,
- Grinding oils,
- Water,
- Fluid temperature 0...80 °C
- Kinematic viscosity 1...90 mm²/s

DIMENSIONS & NOMINAL VALUES



TYPE	Depth of immersion h (mm)	a b c			Weight kg	Power kW	Voltage V(Δ/Y)	Frequency Hz	Rated current A	Speed rpm
		mm								
GPA(F) /200	200	157	319	118	24.0	1.1	230/400	50	4.16/2.4	2890
GPA(F) /270	270				25.5					
GPA(F) /350	350				26.5					
GPA(F) /440	440				28.0					
GPA(F) /550	550				30.0					
GPA(F) -2/190	190	176	338	139	30.5	1.5	230/400	50	5.72/3.3	2910
GPA(F) -2/250	250				31.0					
GPA(F) -2/320	320				32.5					
GPA(F) -2/400	400				33.5					
GPA(F) -2/490	490				35.0					
GPA(F) -2/600	600				37.0					
GPA(F) -3/240	240	176	363	139	36.5	2.2	230/400	50	7.79/4.5	2905
GPA(F) -3/300	300				37.0					
GPA(F) -3/370	370				38.0					
GPA(F) -3/450	450				39.5					
GPA(F) -3/540	540				41.0					
GPA(F) -3/650	650				42.5					
GPA(F) -4/290	290	176	363	139	39.5	2.2	230/400	50	7.79/4.5	2905
GPA(F) -4/350	350				40.0					
GPA(F) -4/420	420				41.0					
GPA(F) -4/500	500				42.5					
GPA(F) -4/590	590				44.0					
GPA(F) -4/700	700				45.5					
GPA(F) -5/340	340	194	398	150	48.5	3.0	230/400	50	10.39/6.0	2905
GPA(F) -5/400	400				49.0					
GPA(F) -5/470	470				50.5					
GPA(F) -5/550	550				51.5					
GPA(F) -5/640	640				52.5					
GPA(F) -5/750	750				54.5					
GPA(F) -6/390	390	194	398	150	54.5	4.0	230/400	50	13.68/7.9	2900
GPA(F) -6/450	450				55.0					
GPA(F) -6/520	520				56.5					
GPA(F) -6/600	600				57.5					
GPA(F) -6/690	690				59.0					
GPA(F) -7/440	440	218	412	163	62.0	5.5	230/400	50	17.15/9.9	2900
GPA(F) -7/500	500				62.5					
GPA(F) -7/570	570				63.5					
GPA(F) -7/650	650				65.0					
GPA(F) -7/740	740				66.5					
GPA(F) -9/540	520	218	412	163	68.0	5.5	230/400	50	17.15/9.9	2900
GPA(F) -9/600	600				68.5					
GPA(F) -9/670	670				69.5					
GPA(F) -9/750	750				71.0					

* M16x1,5 cable gland is used on GPA(F) 1 pump.

** The performance curves are based on 1 mm²/s (cSt) kinematic viscosity values and 1000 kg/m³ density

*** Curve tolerance according to EN ISO 9906.

GPF PUMP

Applications:

- GPF pumps are used for pumping of liquid from vacuum zone on filtration systems. The pump works at vacuum zone, therefore it has an o-ring at the pump inlet. It also has an additional axial front impeller.

Fluid Specifications:

- Coolants,
- Cutting oils,
- Grinding oils,
- Water,
- Fluid temperature 0...80 °C
- Kinematic viscosity 1...90 mm²/s

Materials:

Pump body	: Cast iron - DIN GG 25
Volute	: Cast iron - DIN GG 25
Impeller	: Brass
Axial (front) impeller	: Investment casting steel - AISI 4140 (DIN 42CrMo4)
O-ring	: Viton
Pump shaft	: Engineering steel - AISI 1040 (DIN C35)
Electric motor	: 3 phase induction motor 2 pole, 3000 rpm Protection degree IP 55