

ES2.K - limit switch box

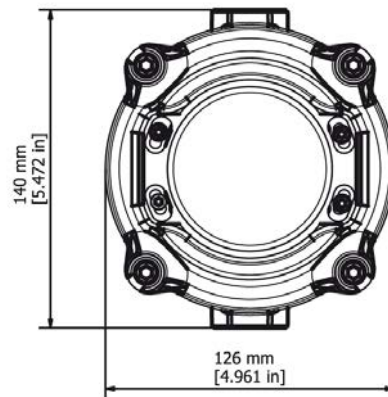
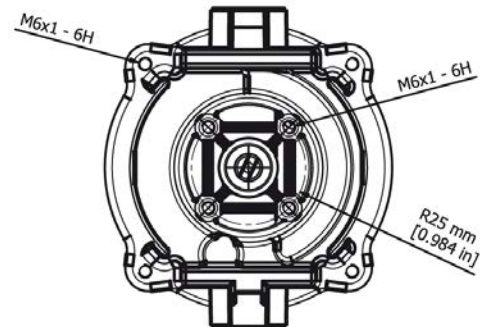
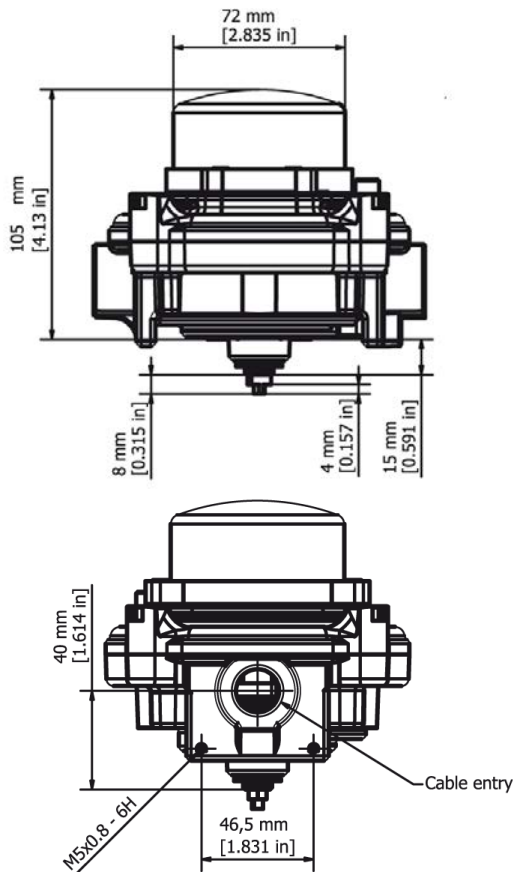
Description

The ES2.K series limit switch box is for direct mounting on pneumatic actuators IA050-IA800. Including mounting brackets for all standard NAMUR (VDI/VDE3845) top mounting hole spacing 80x30mm and 130x30mm and standard NAMUR shaft heights 20, 30, 40 and 50mm.

Product features

- Protection** ATEX explosion proof Ex II 2GD, Ex d IIC T4/T5/T6
Ex tb IIIC T70°C/95°C/115°C IP66/IP67 or IP66/IP68
water proof IP66/IP67 on request IP66/IP68
- Housing** ES2.K: Die cast aluminum, external polyester powder coated
Option ES2.Q: heavy duty housing made of stainless steel 316L (CF3M) electro polished.
- Optical position indicator** Indicator dome UV resistant and V0 polycarbonate, large two-colour position indicator
- Shaft and fasteners** stainless steel, captive cover screws
- Cams** 2 easy-set splined and independently adjustable cams (tool free calibration)
- Limit switch types** see keycode page 2
- Temperature range** -20°C ÷ 80°C (standard)
-40°C ÷ 105°C (optional)
or maximum temperature of the installed limit switch

Dimensions



ES2.Q



ES2.K



Type code

ES2.K 01 . 0 0 . 1 .

① ② ③ ④ ⑤

① Construction	ES2.K	limit switch box, die cast aluminum, external polyester powder coated	
	ES2.Q	limit switch box, stainless steel 316L (CF3M) electro polished	
② limit switch type	01	electromech SPDT silver plated contacts	max. 5A@250VAC - 3A@24VDC min 50mA@250VAC - 50mA@24VDC
	03	electromech SPDT gold plated contacts	max. 3A@250VAC - 1A@24VDC min 5mA@250VAC - 1mA@24VDC
	73	proximity PNP NO P+F NBB2 V3 E2	3 wire amplified 10-30VDC, 100mA
	75	proximity NO / NC programmable IFM IS5026	2 wire amplified 5-36VDC, 200mA
	83	proximity NO P+F NBB2 V3 Z4	2 wire amplified 5-60VDC, 100mA
	N1	NOVA V3 magnetic proximity SPDT silver plated	max 250 VAC, 28 VDC, resistive load 5A, inductive load 4A
	N3	NOVA V3 magnetic proximity SPDT gold / bifurcated	max 250 VAC, 30 VDC, resistive load 1A, inductive load 0.5A
	ASI	AS-i board interface	see AS-i LITE bulletin
③ Terminal strip	0	standard PCB + extra solenoid terminals	
④ Housing colour	0	black	
	1	blue RAL 5015	
⑤ Cable entry	1	2x 1/2" NPT	
	2	2x M20x1,5	

InterApp AG
Grundstrasse 24
CH-6343 Rotkreuz
Phone +41 (0) 41 7982233
Fax +41 (0) 41 7982234
info@ch.interapp.net

InterApp Ges.m.b.H.
Kolpingstrasse 19
A-1230 Wien
Phone +43 (0) 1 6162371-0
Fax +43 (0) 1 6162371-99
info@at.interapp.net

InterApp Italiana
Via Gramsci 29
I-20016 Pero (MI)
Phone +39 02 339371
Fax +39 02 33937200
info@it.interapp.net

InterApp GmbH
Schillerstrasse 50
D-42489 Wülfrath
Phone +49(2058) 8909250
Fax +49(2058) 8909255
info@de.interapp.net

AVK Válvulas S.A.
InterApp Válvulas S.A.
Polígono Industrial Francoli, parcela 27
E-46006 Tarragona
Phone +34 977 543 008
Fax +34 977 541 622
avk@avkvalvulas.com

The technical data are noncommittal and do not assure you of any properties. Please refer to our general sales conditions. Modifications without notice.

© 2014 InterApp AG, all rights reserved