

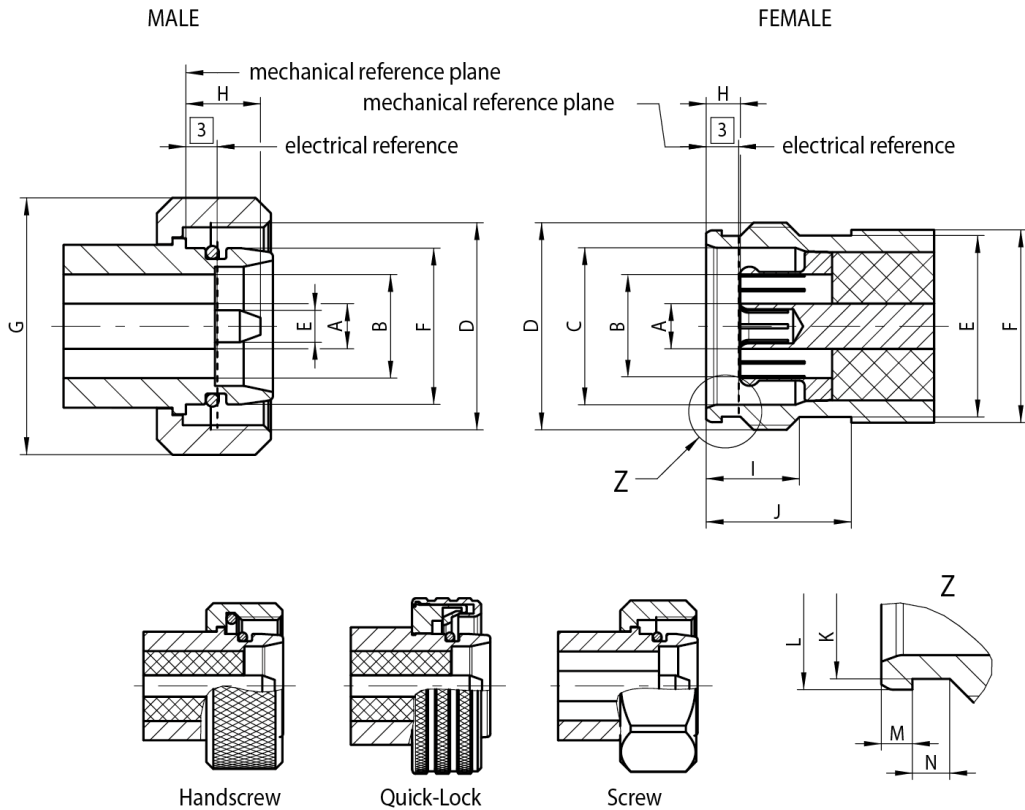
# Technical Data

# Rosenberger

64

4.3-10

64-000-000\_TD



	Male		Female	
	min.	max.	min.	max.
A	4.35 nom.		4.35 nom.	
B	10.00 nom.		9.80	10.20
C	-	-	15.13	15.19
D	M 20 x 1		M 20 x 1	
E	3.07	3.13	17.45	17.55
F	15.07	15.11	18.60	-
G	SW 22		-	-
H	-	8.00	3.10	3.50
I	-	-	8.70	9.00
J	-	-	13.90	14.10
K	-	-	17.40	17.50
L	-	-	18.44	18.50
M	-	-	1.44	1.50
N	-	-	1.70	1.90

Dimensions in mm

## Interface

According to

IEC 61169-54

Dieses Dokument ist urheberrechtlich geschützt • This document is protected by copyright • Rosenberger Hochfrequenztechnik GmbH & Co. KG

RFB00035

Draft	Date	Approved	Date	Rev.	Engineering Change Number	Name	Date
Chr. Janßen	11.03.2019	Chr. Janßen	11.03.2019	a00	19-s083	J_Krautenbac	12.03.2019
Rosenberger Hochfrequenztechnik GmbH & Co. KG P.O. Box 1260 D-84526 Tittmoning Germany www.rosenberger.com					Tel. : +49 8684 18-0 Email : info@rosenberger.com		Page 1 / 2

## Technical Data

# Rosenberger

64

4.3-10

64-000-000\_TD

### Electrical data

Impedance	50 Ω
Frequency	DC to 12 GHz
Return loss	≥ 36 dB @ DC to 4 GHz ≥ 32 dB @ 4 GHz to 6 GHz
Insertion loss	≤ 0.05 x √f [GHz] dB
Insulation resistance	≥ 5 GΩ
Center contact resistance	≤ 1 mΩ
Outer contact resistance	≤ 1 mΩ
Test voltage	2500 V rms
Working voltage	500 V rms
RF-leakage	≥ 110 dB @ DC to 6 GHz (screw type) ≥ 90 dB @ DC to 3 GHz for tool-less plugs (hand-screw / quick-lock) ≥ 70 dB @ 3 to 6 GHz for tool-less plugs (hand-screw / quick-lock)
Power handling (at 90 °C, altitude 3000m)	500 W @ 2 GHz
Intermodulation 3rd order	≤ -160 dBc (2 x 46 dBm) @ 0.4 – 4 GHz ≤ -166 dBc (2 x 43 dBm) @ 0.4 – 4 GHz

### Mechanical data

Mating cycles	≥ 100
Coupling nut retention	≥ 450 N
Center contact captivation	axial: ≥ 30 N radial: ≥ 5 Ncm
Center contact retention force	1.5 - 20 N
Outer contact retention force	4 - 35 N
Engagement force	100 N (typ.)
Disengagement force	80 N (typ.)
Coupling recommended torque	5 Nm
Coupling test torque	8 Nm
Pitch	≥ 25.4 mm

### Environmental data

Temperature range	-55 °C to +90 °C operating temperature
Thermal shock	IEC 60169, Sub-clause 16.4
Corrosion resistance	ISO 21207 method B
Vibration	IEC 61169-1 9.3.3 and IEC 60068-2-64
Shock	IEC 61169-1 9.3.14
Degree of protection (mated pair)	IEC 60529, IP68 (1h / 25 m)
Max. soldering temperature (PCB connectors)	IEC 61760-1, +260 °C for 10 sec.
RoHS	compliant

### Material and plating

#### Connector parts

	Material	Plating
Spring loaded contact parts	CuBe / CuZnSi	Ag
Center contact	CuBe / CuZn	Ag
Outer contact	CuZnSi / CuZn	Ag / white bronze
Body	CuZn	white bronze
Coupling Unit	CuZn	white bronze
Locking Sleeve	CuZn	white bronze
Dielectric	PTFE	
Gasket	Rubber	

While the information (including technical data) has been carefully compiled to the best of our knowledge at the time of publication, the information is provided "AS IS" without warranties of any kind either express or implied. Apart from this, no statement herein shall be construed as recommendation to infringe existing patents. Individual values may deviate depending upon circumstances including but not limited to application, design, type of cable, assembly and workmanship. Furthermore, we reserve the right to change the design and technical specification of our products when deemed necessary.

Draft	Date	Approved	Date	Rev.	Engineering Change Number	Name	Date
Chr. Janßen	11.03.2019	Chr. Janßen	11.03.2019	a00	19-s083	J_Krautenbac	12.03.2019
Rosenberger Hochfrequenztechnik GmbH & Co. KG P.O. Box 1260 D-84526 Tittmoning Germany www.rosenberger.com					Tel. : +49 8684 18-0 Email : info@rosenberger.com		Page 2 / 2