

Large display module

AM 1.X



LCD display with 57 mm digit height
Zeroing and taring
Settings via a menu
Power supply via power supply unit 12V/5A

Force measurement
Weighing technology
Pressure, torque measurement
Filling level monitoring

Designed,
developed and
made in Germany

Our large display module is suitable for the connection of up to four force transducers, load cells, pressure transducers or torque transducers. Connection is realised directly to the sensor signal, the current output of sensors with measuring amplifiers or via an RS485 interface. The display shows the measured value and prefix and the measuring unit in large characters. These can still be easily read

from a distance of 30 metres. Factory calibration is realised to meet your requirements in N, kN, kg or t units. It is possible to tare the large display module manually or set it to automatic taring using a menu. The user can also configure the brightness and contrast of the display or select automatic brightness adjustment. Four holes are provided on the rear of the

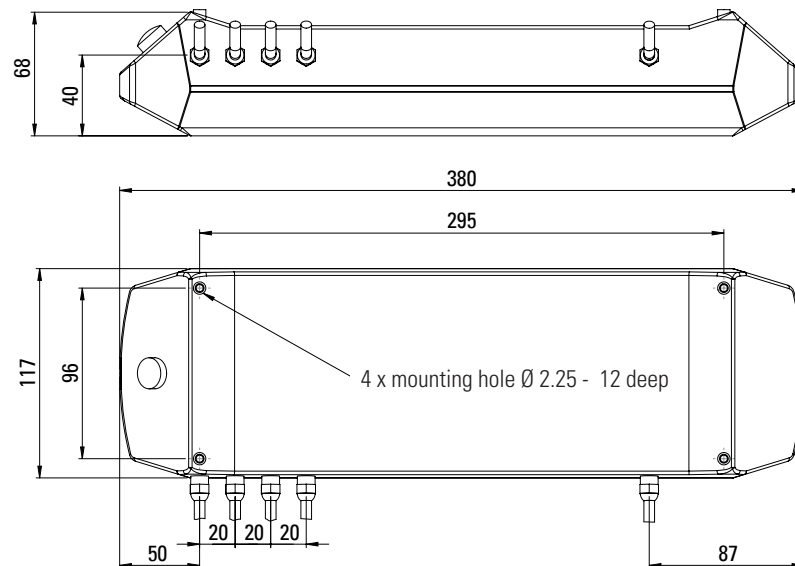
housing to mount the large display module. A bracket can be optionally supplied to secure it to a monitor bracket conforming to the Vesa standard 75 x 75 mm.

Technical data

Type	AM 1.0	AM 1.1	AM 1.2
Display	5-digit, -9999 bis 99999 decimal		
Input	Sensor signal, 4 channels	Current input, 4 channels	RS 485
Input range	0 ... 2.2 mV/V	0 ... 22 mA	1 x A/B/GND
Resolution	16 bit		16 bit
Sensor supply	5 V / 10 V; 50 mA per channel 12 V; 1 A per channel		10 V / 12 V
Sensor bridge resistance	100 Ω ... 500 kΩ	–	–
Measuring rate	adjustable in 4 stages from 14 Hz to 100 Hz		10 Hz
Display rate	adjustable in 4 stages from 1 Hz to 20 Hz		10 Hz
Power supply	11 ... 14.5 VDC		
Operating temperature range	-10 °C to +50 °C		
Storage temperature range	-20 °C to +70 °C		
Degree of protection	IP65		
Housing	PVC		

Dimensions

in mm



Functions

- » Automatic or manual taring
- » Automatic or manual brightness adjustment of the luminous digits
- » Maximum value display with drag indicator function
- » Individual channel display

Options

- » Bracket for mounting the display module on a monitor bracket conforming to the Vesa standard 75 x 75 mm