

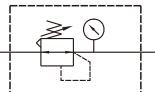
MAR302 series

PRESSURE REGULATOR

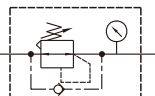


Option: **MP41**

Symbol



Standard



Backflow

Specification

Model	MAR302		
Bore No.	8A	10A	15A
Port size	1/4	3/8	1/2
Medium	Air		
Max. operating pressure	1 MPa		
Proof pressure	1.5 MPa		
Regulated pressure range	0.05~0.85 MPa		
Ambient temperature	- 5~+60°C (No freezing)		
Attachment	Pressure gauge (PG-20), Bracket		
Weight	270 g		

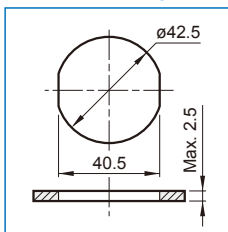
Order example

MAR302 K - 8A - □ - □ - E1 - □

MODEL

Blank: Standard
K: Backflow function

Panel mounting hole



EXHAUST MECHANISM
Blank: Relieving type
Q: Non-relieving type

BORE SIZE

8A: 1/4
10A: 3/8
15A: 1/2

(Option)
PRESSURE SWITCH

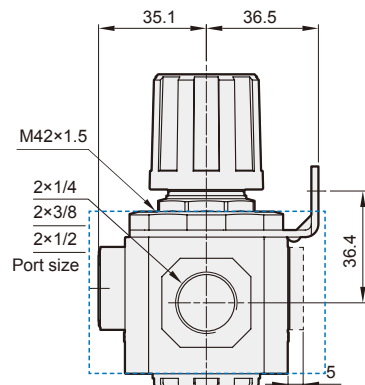
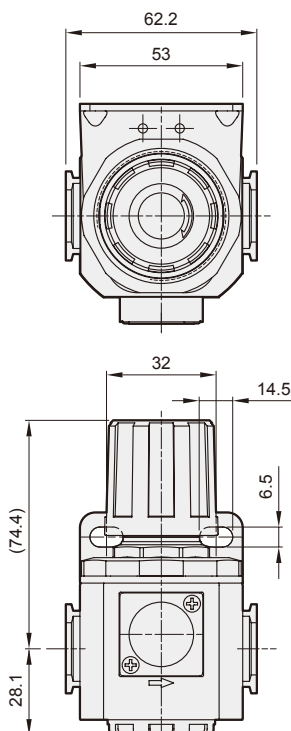
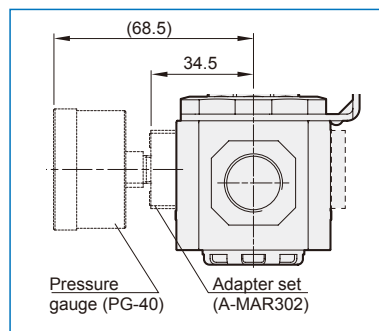
E1: MP41P-022
E2: MP41P-022-QD
E5: MP41P-042
E6: MP41P-042-QD

Blank: Standard type (PG-20)
C: External pressure gauge (PG-40) + Gauge adapter set (A-MAR302)
A: Gauge adapter set (A-MAR302)

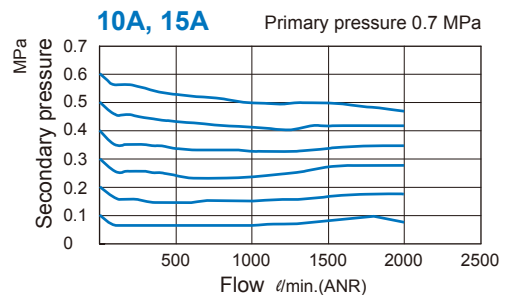
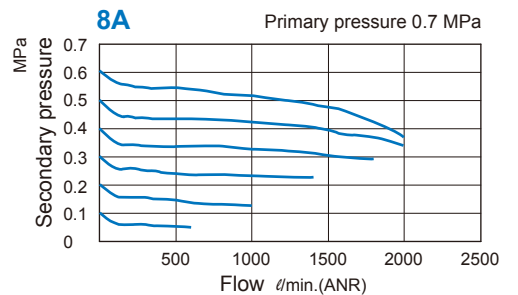
PORT THREAD
Blank: Rc thread
G: G thread
NPT: NPT thread

- * The backflow module can not be exchange with gauge. When choosing the flow direction is left to right, the knob is up.
- * Standard type regulator can not release the outlet pressure completely, even if inlet pressure was cut off, and the backflow function (K) must be applied to completely remove the residual pressure.
- * The (Q) non-relieving type regulator is used. When the output pressure is higher than the set pressure, the output pressure will not flow out through the exhaust hole.
- * PG-40 (C), A-MAR302 (A) and MP41 (E*) can not be selected at the same time.
- * Refer to page 5-11 for the option of digital pressure switch MP41 (E*).

Accessories



Flow feature



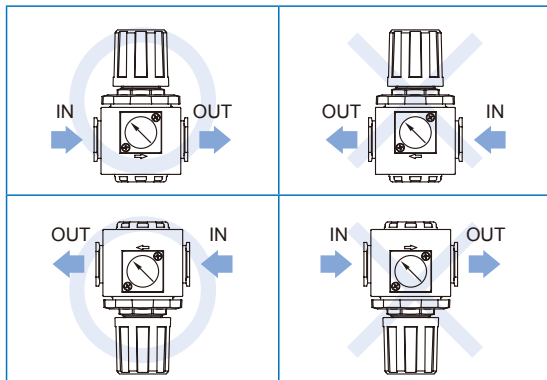
MAR302 Backflow function instructions

PRESSURE REGULATOR

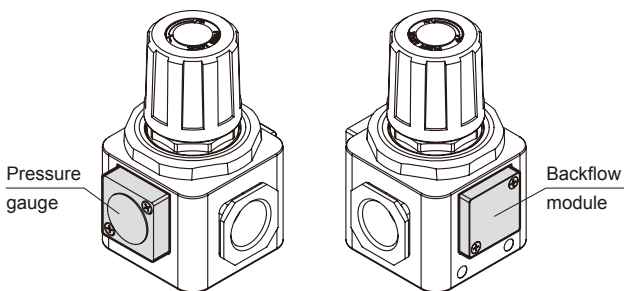


Installation direction

When choosing the flow direction, the backflow module can not be exchange with gauge. If you have special order request, please contact the business.



Precautions

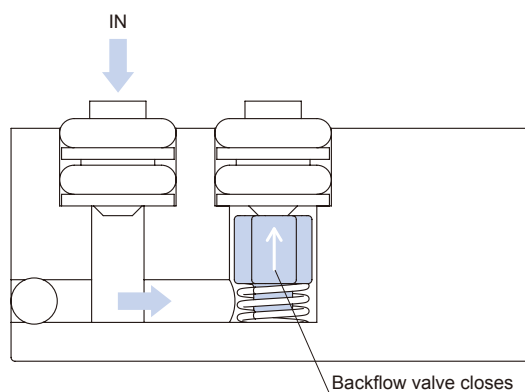


- When the air supply is cut off, the inlet pressure less than outlet pressure, the residual pressure return to the inlet side.
- Please set the inlet pressure to at least 0.05MPa higher than the set pressure.

Working principle

Normally, as the inlet pressure (IN) is higher than the setting pressure (pressure of outlet), the backflow valve is closed. If the inlet pressure is cut off, backflow valve will be opened and the outlet pressure is exhausted to IN port.

Normal air supply



Cut off air source

