

DESIGN

Body	Double Flanged type
End Connection	EN 1092 PN 6, 10 and 16 ASME B16.5 cl. 150 / B16.47 cl. 150 MSS SP 44 cl. 150 AWWA C207 cl. B, D and E BS 10 table D and E
Face to Face	EN558-1/2 Series 13 ISO 5752 Series 13
Body Seat	Non replaceable Lining bonded to the body
Shaft Seal Design	O-ring bush
Driving Shaft	With indication for position of the disc
Special Design Options	-

TESTING PROCEDURES

Shell strength test	EN 12266-1, P10 ISO 5208 API 598
Shell tightness test	EN 12266-1, P11 ISO 5208 API 598
Seat tightness test	EN 12266-1, P12, Rate A ISO 5208, Rate A API 598
Operability test	EN 12266-2, F20 ISO 5208 API 598

OPTIONS

Anti-Static Design	In accordance with EN 736/3 and API 609
--------------------	---

FUNCTIONAL CHARACTERISTICS

Application	On/off, regulating, control valve
Design pressure PS	Maximum 16 bar
Design temp. TS	-20°C (-4°F) to +200° (392°F)
Flow velocity	Max. 5 m/s for liquids, max. 50 m/s for gases
Seat tightness rate	Bi-directional - ISO 5208 rate A

MARKING & CERTIFICATION

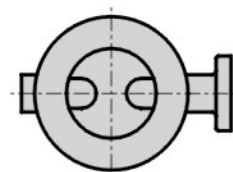
Marking	EN 19, MSS SP 25
Certification	EN 10204 - 2.2, 3.1, 3.2



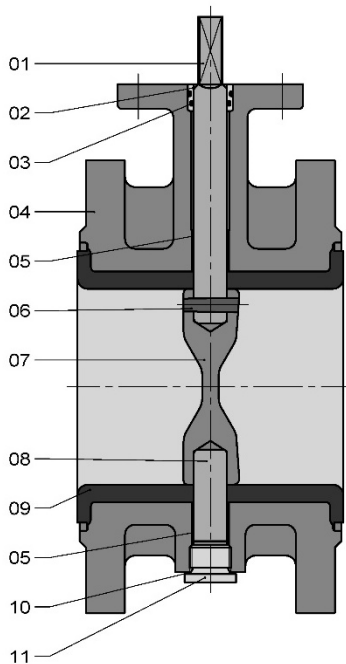
PRODUCT DATA

General Description	BUTTERFLY VALVE - Centric rubber lined
Design Code	EN 593
Size Range	DN 50 - 2000, NPS 2" - 80"
Maximum Pressure	10/16 bar - optional 20 bar for ≤ DN 600

PREFERRED POSITION WHEN INSTALLED IN HORIZONTAL PIPELINE



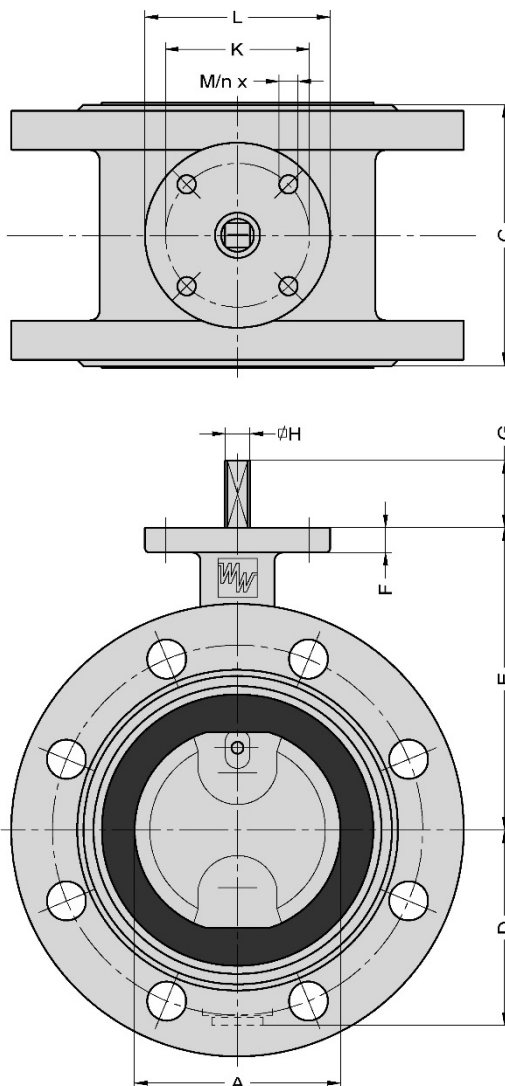
PARTS LIST - EVFS 50-350 (2"-14")



Item	Description	Material ⁽¹⁾	EN/DIN	Comparable ASTM
01	Shaft	Duplex SS	1.4462, EN 10088	A 182, Grade F51
		Super Duplex SS	1.4501, EN 10272	A 479, UNS 32760
		Martensitic SS	1.4057, EN 10088	A 276, Grade 431
		Aluminium Bronze	CuAl10Ni5Fe4, EN 12163	B 150, C63000
		Monel K500*	NA 18, BS 3076	-
		Hastelloy-C*	-	B 547, N10276
02	Bush	Bronze		
03	O-ring	EPDM		
		NBR		
		FPM		
04	Body	Ductile Iron	5.3106, EN 1563 (JS1030)	A 395, 60-40-18
		Ductile Iron (low temp.)	5.3103, EN 1563 (JS1049)	-
		Carbon Steel	1.0619, EN 10213	A 216, WCB
		Aluminium Bronze	CC333G, EN 1982	B 148, C95800
		Aluminium Bronze	-	B 148, C95500
		Bronze	2.1096.01, DIN 1705 (CC491K, EN 1982)	B 584, C83600
		Bronze	2.1086.01, DIN 1705 (CC482K, EN 1982)	B 584, C90500
		Bronze	CC493K, EN 1982	B 584, C93200
05	Bearing	St. / PTFE Lining	1.4408, EN 10213	A 351, CF8M
		Bronze / PTFE Lining		
06	Conical pin	See ITEM 01	See ITEM 01	See ITEM 01
07	Disc	Duplex SS	1.4462, EN 10088	A 182, Grade F51
		Super Duplex SS	1.4469, EN 10213	A 995, 5A/6A
		Martensitic SS	1.4057, EN 10088	A 276, Grade 431
		Ductile Iron / Rilsan coated ⁽²⁾	5.3106, EN 1563 (JS1030)	A 395, 60-40-18
		Aluminium Bronze	CC333G, EN 1982	B 148, C95800
		Aluminium Bronze	-	B 148, C95500
		Hastelloy-C*	-	A 494, CW-12MW
08	Shaft	CuNi	2.0835, DIN 17658	-
08	Shaft	See ITEM 01	See ITEM 01	See ITEM 01
09	Lining	EPDM		
		NBR		
		FPM		
10	Sealing ring	Cu		
11	Plug	St./Zn5C		

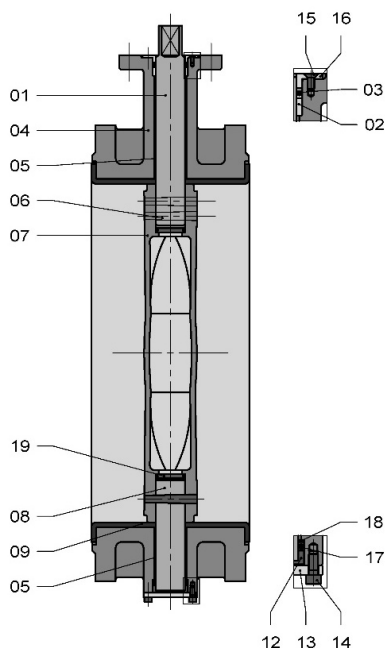
⁽¹⁾ Other materials on request; ⁽²⁾ For DN 250 and DN 300.

DIMENSIONS - EVFS 50-350 (2"-14")



DN	NPS	A	C	D	E	F	G	H	ISO 5211	K	L	M	n	MASS ±kg
50	2"	50	108	63	118	12	34	10	F07	70	90	9	4	8
65	2½"	65	112	71	126	12	34	10	F07	70	90	9	4	9
80	3"	80	114	78	133	12	34	10	F07	70	90	9	4	11
100	4"	100	127	98	147	12	34	12	F07	70	90	9	4	13
125	5"	125	140	109	160	12	34	12	F07	70	90	9	4	17
150	6"	150	140	133	180	14	34	16	F07	70	90	9	4	23
200	8"	200	152	158	204	14	34	16	F07	70	90	9	4	32
250	10"	250	165	194	245	15	45	24	F10	102	125	11	4	50
300	12"	300	178	219	270	15	45	24	F10	102	125	11	4	65
350	14"	336	190	236	315	15	45	24	F10	102	125	11	4	95

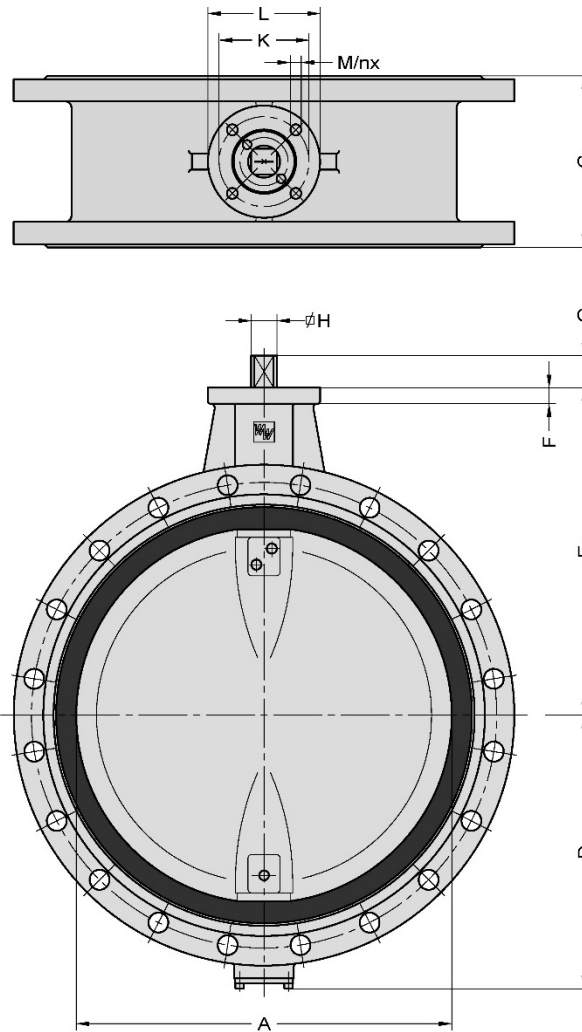
PARTS LIST - EVFS 400-1000 (16"-40")



Item	Description	Material ⁽¹⁾	EN/DIN	Comparable ASTM
01	Shaft	Duplex SS Super Duplex SS Martensitic SS Aluminium Bronze Monel K500* Hastelloy-C*	1.4462, EN 10088 1.4501, EN 10272 1.4057, EN 10088 CuAl10Ni5Fe4, EN 12163 NA 18, BS 3076 -	A 182, Grade F51 A 479, UNS 32760 A 276, Grade 431 B 150, C63000 - B 547, N10276
02	Bush	Bronze	-	
03	O-ring	EPDM NBR FPM		
04	Body	Ductile Iron Ductile Iron (low temp.) Carbon Steel Aluminium Bronze Aluminium Bronze Bronze Bronze Bronze	5.3106, EN 1563 (JS1030) 5.3103, EN 1563 (JS1049) 1.0619, EN 10213 CC333G, EN 1982 - 2.1096.01, DIN 1705 (CC491K, EN 1982) 2.1086.01, DIN 1705 (CC482K, EN 1982) CC493K, EN 1982	A 395, 60-40-18 - A 216, WCB B 148, C95800 B 148, C95500 B 584, C83600 B 584, C90500 B 584, C93200
05	Bearing	St. / PTFE Lining Bronze / PTFE Lining		
06	Conical pin	See ITEM 01	See ITEM 01	See ITEM 01
07	Disc	Austenitic SS ⁽²⁾ Duplex SS ⁽³⁾ Super Duplex SS Martensitic SS ⁽⁴⁾ Ductile Iron / Rilsan coated Aluminium Bronze Aluminium Bronze Hastelloy-C* ⁽⁵⁾ CuNi ⁽⁵⁾	1.4408, EN 10213 1.4462, EN 10088 1.4469, EN 10213 1.4057, EN 10088 5.3106, EN 1563 (JS1030) CC333G, EN 1982 - - 2.0835, DIN 17658	A 351, CF8M A 182, Grade F51 A 995, 5A/6A A 276, Grade 431 A 395, 60-40-18 B 148, C95800 B 148, C95500 A 494, CW-12MW -
08	Shaft	See ITEM 01	See ITEM 01	See ITEM 01
09	Lining	EPDM NBR FPM		
12	Axial bearing	Bronze		
13	Cover plate	St./Zn5C		
14	Cylinder head screw	St./Zn5C		
15	Counter sunk screw	St./Zn5C		
16	Collar bearing	Bronze		
18	Ring	Bronze		
19	Sealing plate	St./NBR St./FPM		

⁽¹⁾ Other materials on request; ⁽²⁾ for ≥ DN 500; ⁽³⁾ forged ≤ DN 450, casted ≥ DN 500, material 1.4517, EN 10213 (ASTM A 351, CD-4MCu); ⁽⁴⁾ forged ≤ DN 450; ⁽⁵⁾ ≤ DN 500.

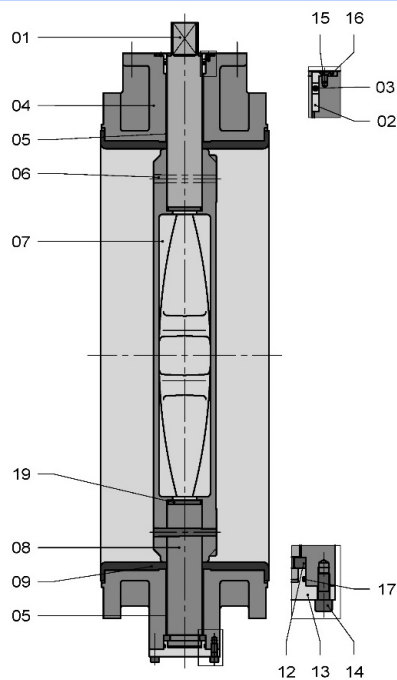
DIMENSIONS - EVFS 400-1000 (16"-40")



DN	NPS	A	C	D	E	F	G	H	ISO 5211	K	L	M	n	MASS ±kg
400	16"	386	216	308	363	25	50	30	F14	140	175	17	4	130
450	18"	436	222	334	388	25	50	30	F14	140	175	17	4	150
500	20"	486	229	360	413	25	50	30	F14	140	175	17	4	200
550	22"	536	⁽¹⁾ 267	395	485	25	50	40	F14	140	175	17	4	260
600	24"	586	267	426	510	25	50	40	F14	140	175	17	4	300
650	26"	636	⁽¹⁾ 292	456	535	25	60	46	F16	165	210	21	4	350
700	28"	686	292	499	560	25	60	46	F16	165	210	21	4	380
750	30"	736	⁽¹⁾ 318	524	585	25	60	46	F16	165	210	21	4	440
800	32"	786	318	519	610	25	60	46	F16	165	210	21	4	500
800 ⁽¹⁾	32"	786	318	519	610	30	90	60	F25	254	300	17	8	500
900	36"	886	330	625	690	30	90	60	F25	254	300	17	8	660
1000	40"	986	410	685	740	30	90	60	F25	254	350	17	8	900
1000	40"	986	410	685	740	30	90	60	F30	298	350	21	8	900

⁽¹⁾ For 16 bar trim only.
⁽²⁾ Manufacturer's standard

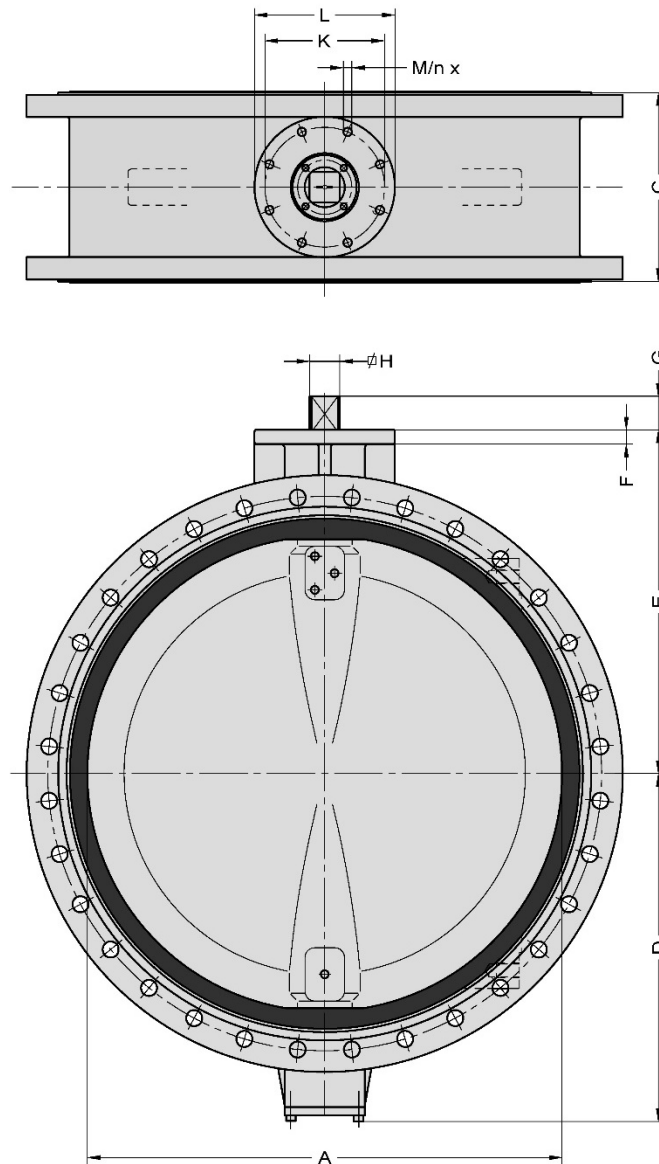
PARTS LIST - EVFS 1200-2000 (48"-80")



Item	Description	Material ⁽¹⁾	EN/DIN	Comparable ASTM
01	Shaft	Duplex SS Super Duplex SS Martensitic SS Aluminium Bronze Monel K500* Hastelloy-C*	1.4462, EN 10088 1.4501, EN 10272 1.4057, EN 10088 CuAl10Ni5Fe4, EN 12163 NA 18, BS 3076 -	A 182, Grade F51 A 479, UNS 32760 A 276, Grade 431 B 150, C63000 - B 547, N10276
02	Bush	Bronze		
03	O-ring	EPDM NBR FPM		
04	Body	Ductile Iron Ductile Iron (low temp.) Carbon Steel Aluminium Bronze Aluminium Bronze Bronze Bronze Bronze	5.3106, EN 1563 (JS1030) 5.3103, EN 1563 (JS1049) 1.06019, EN 10213 CC333G, EN 1982 - 2.1096.01, DIN 1705 (CC491K, EN 1982) 2.1086.01, DIN 1705 (CC482K, EN 1982) CC493K, EN 1982	A 395, 60-40-18 - A 216, WCB B 148, C95800 B 148, C95500 B 584, C83600 B 584, C90500 B 584, C93200
05	Bearing	St. / PTFE Lining Bronze / PTFE Lining		
06	Conical pin	See ITEM 01	See ITEM 01	See ITEM 01
07	Disc	Austenitic SS Duplex SS Super Duplex SS Ductile Iron / Rilsan coated Aluminium Bronze Aluminium Bronze	1.4408, EN 10213 1.4517, EN 10213 1.4469, EN 10213 5.3106, EN 1563 (JS1030) CC333G, EN 1982 -	A 351, CF8M A 351, CD-4MCu A 995, 5A/6A A 395, 60-40-18 B 148, C95800 B 148, C95500
08	Shaft	See ITEM 01	See ITEM 01	See ITEM 01
09	Lining	EPDM NBR FPM		
12	Axial bearing	Bronze		
13	Cover plate	St./Zn5C		
14	Cylinder head screw	St./Zn5C		
15	Counter sunk screw	St./Zn5C		
16	Flanged bush	Bronze		
17	O-ring	EPDM NBR FPM		
19	Sealing plate	St./NBR St./FPM		

⁽¹⁾ Other materials on request.

DIMENSIONS - EVFS 1100-2000 (44"-80")



DN	NPS	A	C	D	E	F	G	H	ISO 5211	K	L	M	n	MASS ±kg
1100	44"	1086	470	780	805	35	85	75	F30	298	415	21	8	1300
1100	44"	1086	470	780	805	35	85	75	F35	356	415	31	8	1300
1200	48"	1186	470	870	855	35	85	75	F30	298	415	21	8	1500
1200	48"	1186	470	870	855	35	85	75	F35	356	415	31	8	1500
1400	56"	1386	530	966	955	35	85	75	F35	356	415	31	8	1900
1400	56"	1386	530	966	955	35	100	90	F35	356	415	31	8	1900
1500	60"	1484	⁽¹⁾ 600	1045	1012	50	100	90	F35	356	475	31	8	2100
1500	60"	1484	⁽¹⁾ 600	1045	1012	50	120	105	F40	406	475	37	8	2100
1600	64"	1586	600	1086	1079	50	100	90	F35	356	475	31	8	2500
1600	64"	1586	600	1086	1079	50	120	105	F40	406	475	37	8	2500
1800	72"	1776	670	1192	1176	50	100	90	F35	356	475	31	8	3500
1800	72"	1776	670	1192	1176	50	120	105	F40	406	475	37	8	3500
2000	80"	1976	760	1291	1276	50	120	105	F35	356	475	31	8	4000
2000	80"	1976	760	1291	1276	50	140	120	F40	406	475	37	8	4000

⁽¹⁾ Manufacturer's standard