

MACP302 series

AIR UNIT (F.R.L.UNIT)

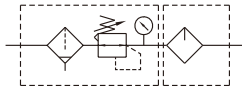


Specification



Option: MP41

Symbol



Model	MACP302		
Components	MAFR302, MAL302		
Bore No.	8A	10A	15A
Port size	1/4	3/8	1/2
Medium	Air		
Operating pressure range (*)	0.05~1 MPa		
Proof pressure	1.5 MPa		
Regulated pressure range	0.05~0.85 MPa		
Ambient temperature	- 5~+60°C (No freezing)		
Filter element	Standard: 5µm, Option: 40µm		
Lubricating oil capacity	65c.c		
Min. flow for oil drip	50 l/min	60 l/min	
Recommended lubricating oil	Turbine oil ISO-VG32		
Attachment	Pressure gauge(PG-20),T-type bracket		
Weight	845 g		

* Standard unit contains semi-auto-drain function when operating pressure below 0.05 MPa.

* Choose auto-drain FMRF300, the pressure range is 0.15~1 MPa.

Order example

MACP302 – 8A – NC□ – E1 – □ – T8 – □

MODEL

PORT SIZE

8A: 1/4
10A: 3/8
15A: 1/2

(Option)

PRESSURE SWITCH

E1: MP41P-022
E2: MP41P-022-QD
E5: MP41P-042
E6: MP41P-042-QD

* Refer to page 5-12 for MP41.

FILTER ELEMENT

Blank: 5µm
40u: 40µm

(Option)

BY-PASS PORT SIZE

T type bracket
T8: 1/4
T10: 3/8
T15: 1/2

Check valve
K8: 1/4
K10: 3/8

PORT THREAD

Blank: Rc thread
G: G thread
NPT: NPT thread

(Option) ACCESSORIES

Bowl	Pressure gauge	Drain valve
Blank: PC bowl M: Metal bowl N: Nylon bowl	Blank: Pressure gauge (PG-20) C: External pressure gauge (PG-40) + Gauge adapter set (A-MAR302) A: Gauge adapter set (A-MAR302)	Blank: Semi-auto drain D: Auto drain valve (FMRF300)

* PG-40 (C), A-MAR302 (A) and MP41 (E*) can not be selected at the same time.

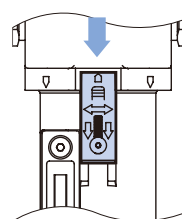
* Be sure to use above check valves when redirecting the air flow on the inlet side of the lubricator.

Caution

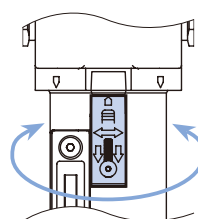
Metal bowl

Before assembling or disassembling, push the lock plate down to the end, and confirm that is detached from the body then rotate the bowl, otherwise the lock plate will be deformed or the body will be scratched.

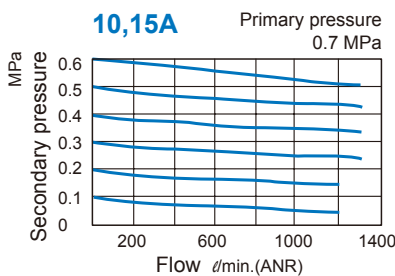
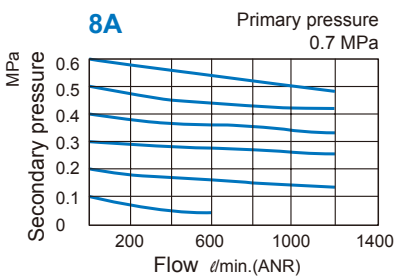
1. Sliding plate down



2. Rotating the bowl



Flow feature

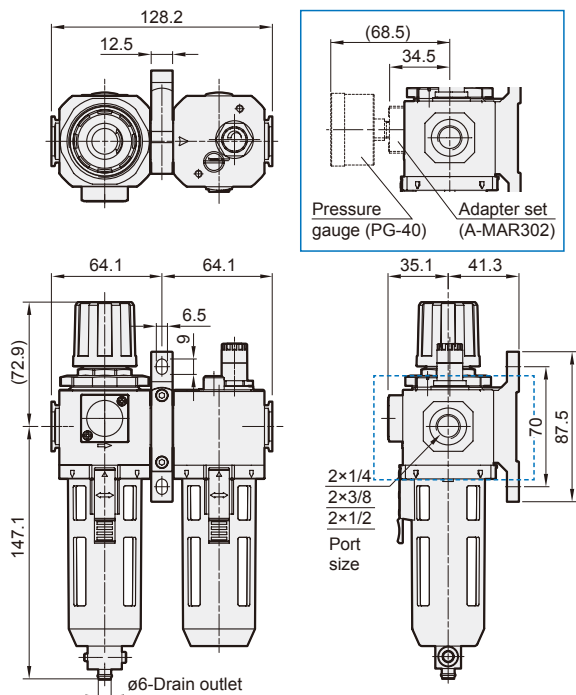


MACP302 Dimensions

AIR UNIT (F.R.L.UNIT)

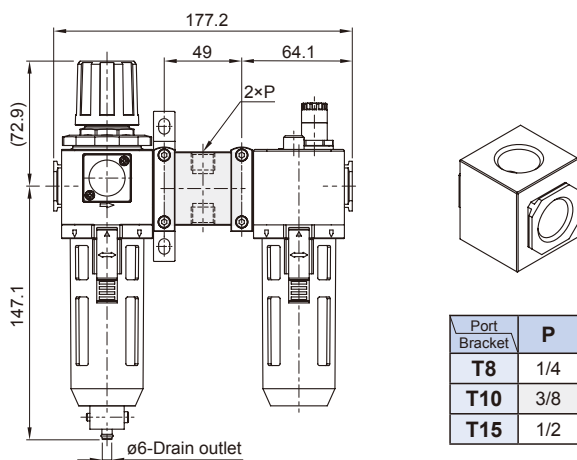


Accessories



MACP302-T*

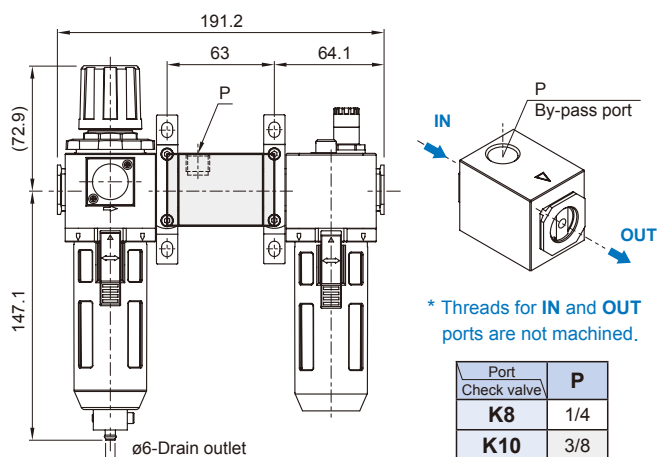
T type bracket



Port Bracket	P
T8	1/4
T10	3/8
T15	1/2

MACP302-K*

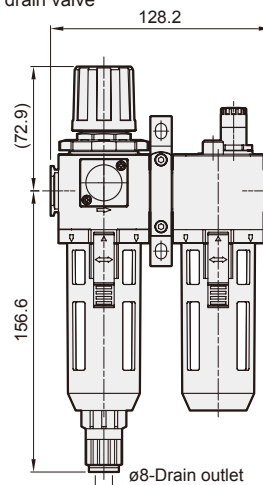
Check valve



Port Check valve	P
K8	1/4
K10	3/8

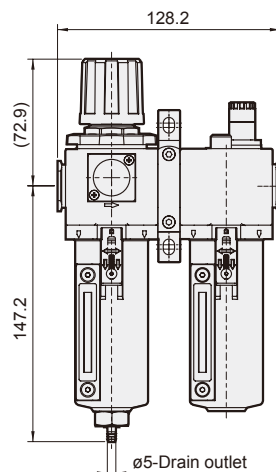
MACP302-D

Auto drain valve



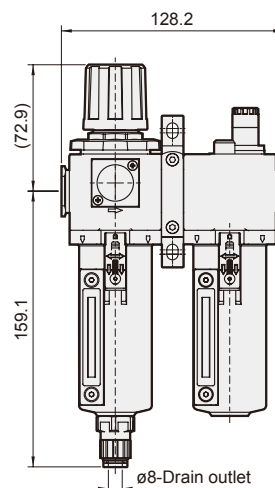
MACP302-M

Metal bowl



MACP302-MD

Metal bowl + Auto drain valve



MACP302-HT With shutoff valve

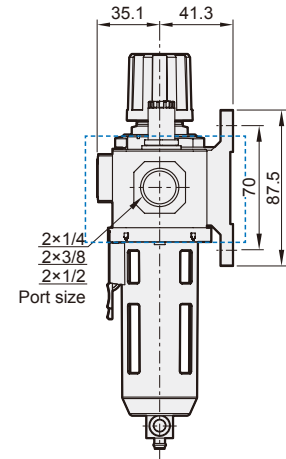
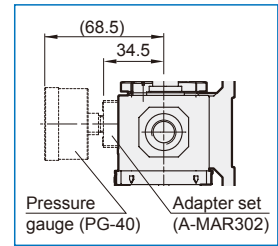
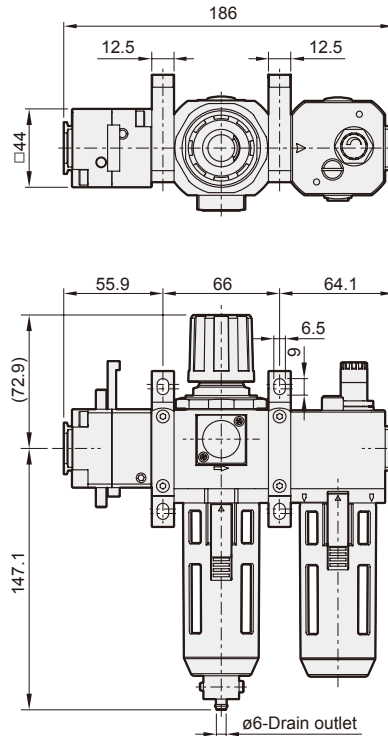


AIR UNIT (F.R.L.UNIT)

mindman



Accessories



Order example

MACP302 – 8A – NC□ – E1 – □ – HT – □

MODEL

PORT SIZE

8A: 1/4
10A: 3/8
15A: 1/2

(Option)

PRESSURE SWITCH

E1: MP41P-022
E2: MP41P-022-QD
E5: MP41P-042
E6: MP41P-042-QD

FILTER ELEMENT

Blank: 5µm
40u: 40µm

SHUTOFF VALVE

HT: MVHT-302-3H

PORT THREAD

Blank: Rc thread
G: G thread
NPT: NPT thread

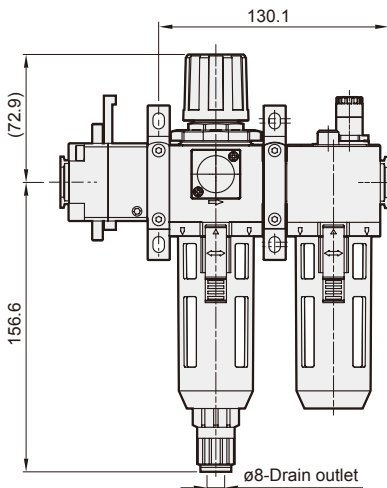
(Option) ACCESSORIES

Bowl	Pressure gauge	Drain valve
Blank: PC bowl M: Metal bowl N: Nylon bowl	Blank: Pressure gauge (PG-20) C: External pressure gauge (PG-40) + Gauge adapter set (A-MAR302) A: Gauge adapter set (A-MAR302)	Blank: Semi-auto drain D: Auto drain valve (FMRF300)

* PG-40 (C), A-MAR302 (A) and MP41 (E*) can not be selected at the same time.

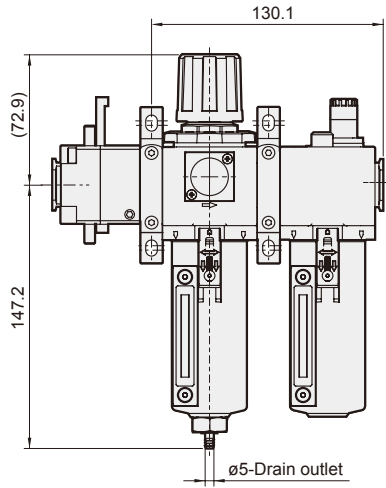
MACP302-D

Auto drain valve



MACP302-M

Metal bowl



MACP302-MD

Metal bowl + Auto drain valve

