

BACCARA[®] A U T O M A T I O N & C O N T R O L



(Quarter turn)
ELECTRIC ACTUATOR



GQ - 001, 002, 004

High Speed Operating Time (3-7 sec)
Simple Position Indicator
Smart & Compact Design
With Manual Lever
Weatherproof(IP67)
3-Wire Type
4-Wire Type

DESCRIPTION

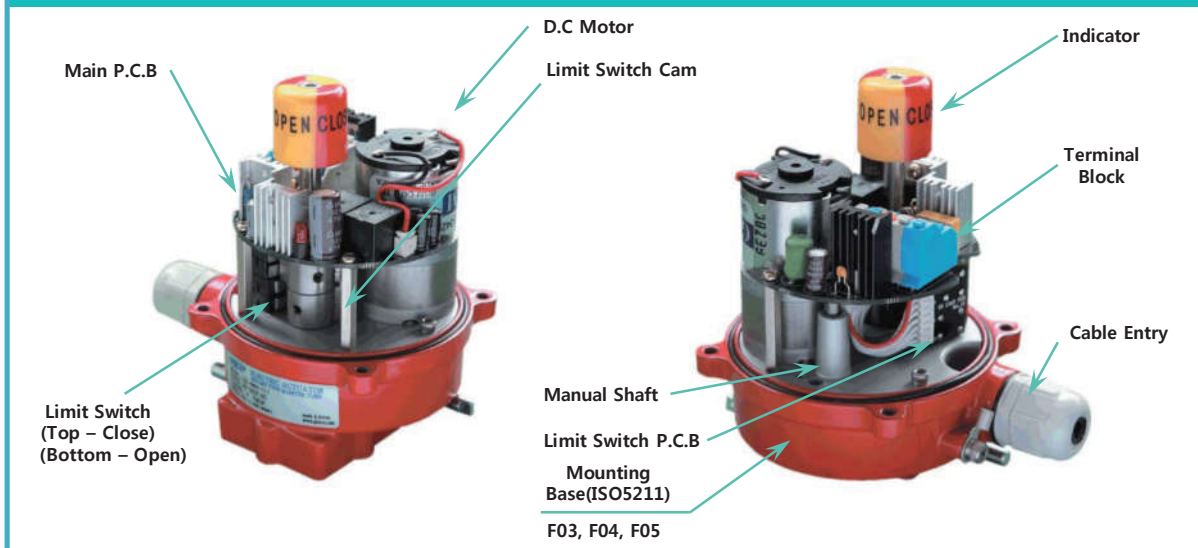
Electric actuator is specially designed for small size quarter turn valve operation such as ball valves / small dampers and similar usages

FEATURES

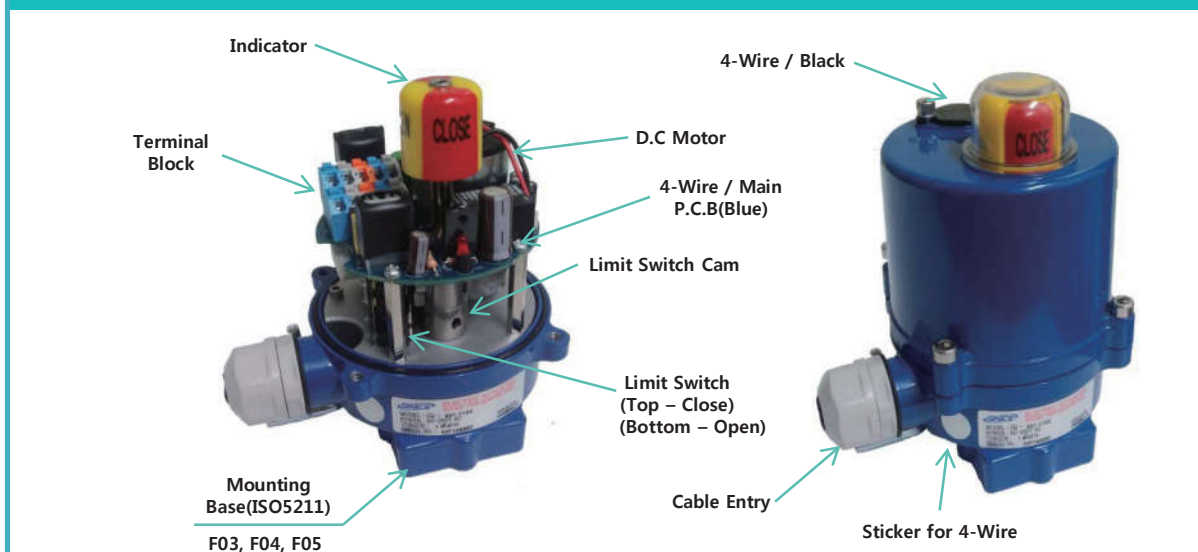
- Free-Voltage : (95~245VAC / 1PH)
(24VAC / DC) (12VAC / DC)
- Weatherproof (IP67)
- Manual lever
- Mounting base : Standard ISO5211 (F03/F04/F05)

CONSTRUCTION

Actuator Appearance (INSIDE) – 3Wire



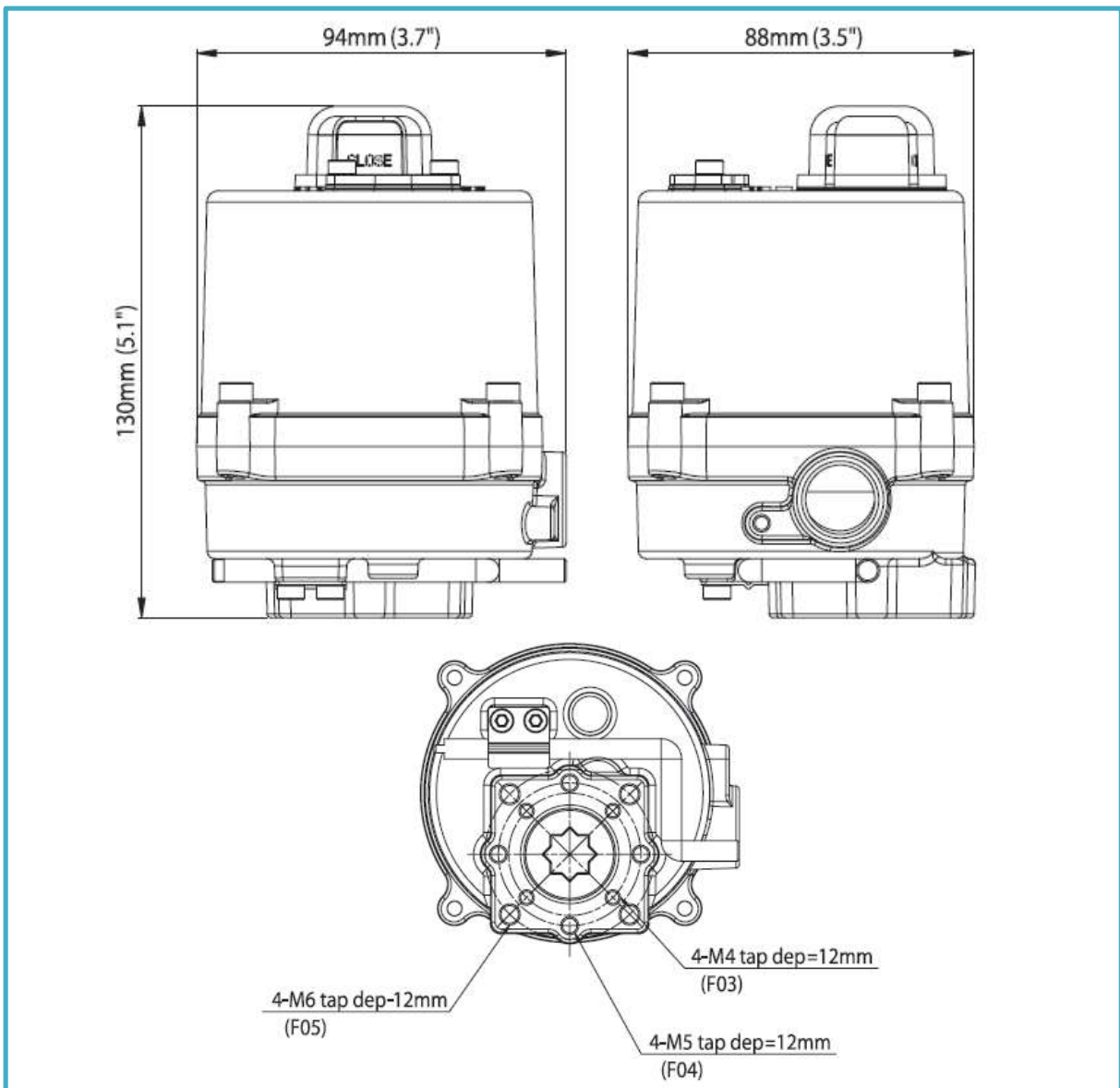
Actuator Appearance (INSIDE) – 4Wire



PERFORMANCE

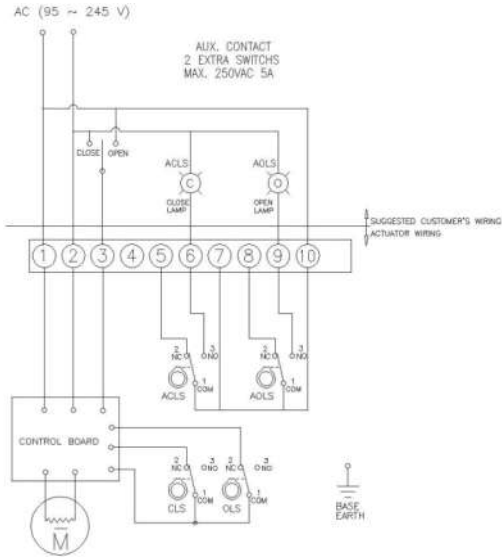
Model	Output Torque		Operating Time 50/60Hz 90°	Supplying Power (50/60Hz, 1 phase)	Duty Cycle IEC 34-1	Electric Motor IEC 34-1	Mounting (ISO 5211)	Bottom Bore (mm)	Weight
	Kg.m	N.m							
GQ - 001	1.5	15	3 sec	V1=95V~245VAC (free) V2=24V AC/DC V3=12V AC/DC	S2 50%	2A	F03, F04, F05	11 x 11	1.2Kg
GQ - 002	2	20	4 sec		S2 50%	2A	F03, F04, F05	14 x 14	1.2Kg
GQ - 004	4	40	7 sec		S2 50%	2A	F03, F04, F05	14 x 14	1,2Kg

DIMENSION

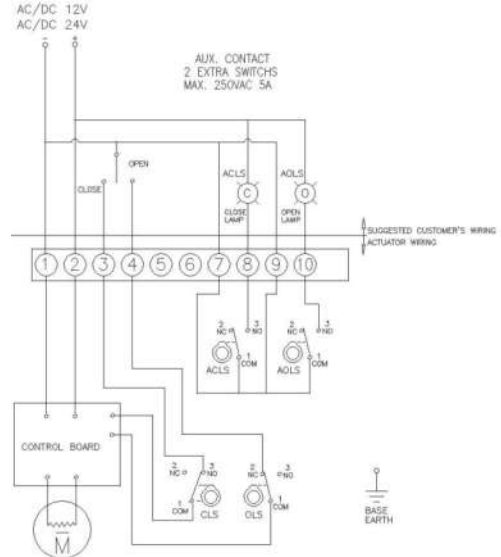


CONNECTION WIRING

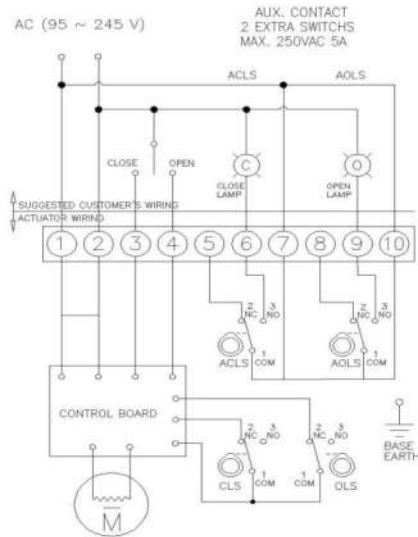
AC ON-OFF (3wire)



AC/DC ON-OFF



AC ON-OFF (4wire)



ORDERING SPECIFICATION

GQ - X X X - X X X X

001 : 1.5Kg.m
002 : 2Kg.m
004 : 4Kg.m

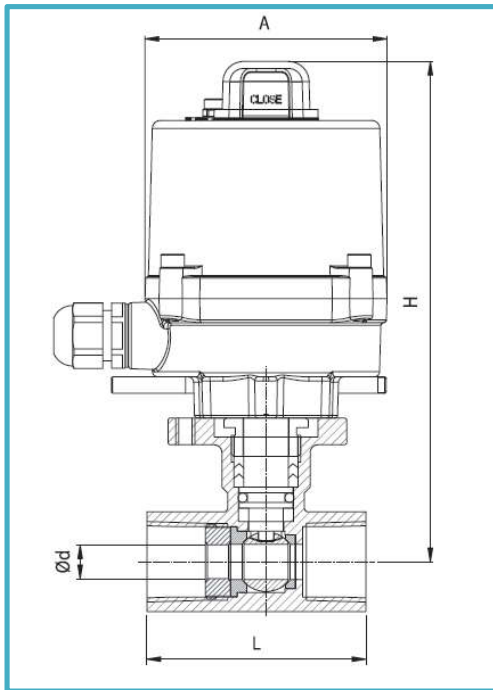
1 : 11x11
2 : 14x14

1 : ON-OFF(3-Wire)
2 : ON-OFF(4-Wire)

1 : 95~245VAC 1PH
2 : AC/DC 24V
3 : AC/DC 12V

1: IP 67

ELECTRIC BALL VALVE(2-WAY) : (1-PIECE)



Dimensions (1-Piece)

(Unit : mm)

SIZE		Ød	L	H	A	Body/Actuator	Stem (mm)	ISO5211 (PCD)	WT (Kg)	TORQUE (N.m)
Inch	mm									
1/2"	15A	9.2	50	156	94	GV21-15/GQ-004	9	F03, 04	1.9	2
3/4"	20A	12.5	60	162	94	GV21-20/GQ-004	9	F03, 04	1.9	4
1"	25A	15	73	165	94	GV21-25/GQ-004	11	F03, 04	2.0	5.7
1-1/4"	32A	20	78	168	94	GV21-32/GQ-004	11	F05	2.2	6.8
1-1/2"	40A	25	89	172	94	GV21-40/GQ-004	14	F05	2.8	8.5
2"	50A	32	100	180	94	GV21-50/GQ-004	14	F05	3.1	12.4

※ 1-PIECE BODY – Max. 1000PSI, Max. Temperature:90°C, Material : A351-CF8, Seat : PTFE

SIZE		Ød	L	H	A	Body/Actuator	Stem (mm)	ISO5211 (PCD)	WT (Kg)	TORQUE (N.m)
Inch	mm									
1/2"	15A	9.2	50	156	94	GV21-15/GQ-002	9	F03, 04	1.9	2
3/4"	20A	12.5	60	162	94	GV21-20/GQ-002	9	F03, 04	1.9	4
1"	25A	15	73	165	94	GV21-25/GQ-002	11	F03, 04	2.0	5.7
1-1/4"	32A	20	78	168	94	GV21-32/GQ-002	11	F05	2.2	6.8
1-1/2"	40A	25	89	172	94	GV21-40/GQ-002	14	F05	2.8	8.5

SIZE		Ød	L	H	A	Body/Actuator	Stem (mm)	ISO5211 (PCD)	WT (Kg)	TORQUE (N.m)
Inch	mm									
1/2"	15A	9.2	50	156	94	GV21-15/GQ-001	9	F03, 04	1.9	2
3/4"	20A	12.5	60	162	94	GV21-20/GQ-001	9	F03, 04	1.9	4
1"	25A	15	73	165	94	GV21-25/GQ-001	11	F03, 04	2.0	5.7
1-1/4"	32A	20	78	168	94	GV21-32/GQ-001	11	F05	2.2	6.8

※ Model : GV21 (2: 2-Way Ball Valve, 1 : 1-Piece)

TABLE OF AVAILABLE VALVE SIZE FOR GQ-ACTUATOR

Valve / Actuator	Actuator Torque (N.m)	2-Way Ball Valve 10K, ANSI 150#	Operating Time	3-Way Ball Valve 10K, ANSI 150#	Operating Time
GQ - 001	15	8A(1/4") ~ 25A(1")	3	8A(1/4") ~ 15A(1/2")	3
GQ - 002	20	8A(1/4") ~ 32A(1 1/4")	4	8A(1/4") ~ 25A(1")	4
GQ - 004	40	8A(1/4") ~ 50A(2")	7	8A(1/4") ~ 32A(1 1/4")	7

The above specification can be changed as difference torque per each valve manufacturer

STANDARD

Model	Phase	Voltage [V]	Hertz [Hz]	Power consumption [VA]
GQ - 001,002,004	-	12	-	7.56
		24	-	8.64
	1PH	110	50	39.6
		110	60	39.6
		220	50	79.2
		220	60	79.2