

A150-R50-S2-B

Remote Control Valve



DN32-DN50 (1 1/4"-2") 2 way motorized ball valve in stainless steel and PVC

Product Features:

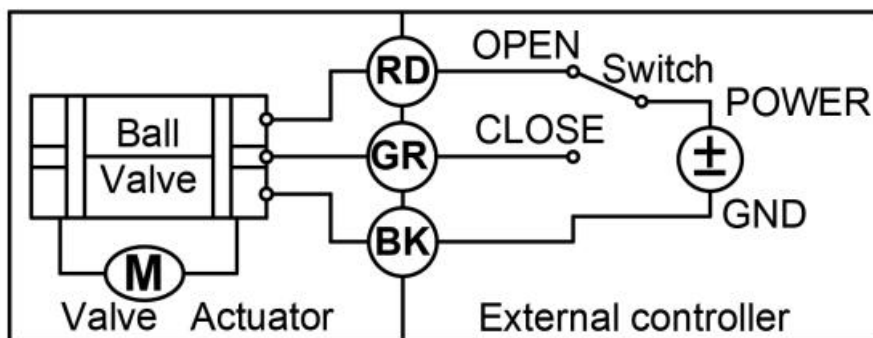
1. Wireless control, communication frequency 433M, 315MHz (optional), communication distance 100m.
2. With power adaptor
3. DC12V external power supply
3. Small size,suitable for small equipment.
4. Stainless steel and copper gear design, working life of 70 thousand times.
5. Protection class IP67.

Detail description:

Size	DN32, DN40, DN50 (BSP/NPT internal thread)
Max.working pressure	1.0MPa
Circulation medium	Fluid,air
Working voltage	DC12V
Quiescent current	≤1.5A
Valve material	Stainless steel,PVC
On/off time	≤15S
Life time	70000 times
Actuator material	Engineering plastic
Torque force	15 N.M
Environment Temperature	-15℃~50℃
Liquid temperature	2℃~90℃
Manual override	Yes
Open/close indicator	Yes
Wiring diagram	CR301
Sealing	PTFE/FKM
Protection class	IP67
Certification	CE(LVD EMC),ROHS and SS304 valve passed NSF61-G (NSF)
Communication frequency	315MHz 433MHz (optional)

Wiring:

CR301 (3 wires)



1. **Red** and **green** wires connect +, **black** wire connects -.
 2. Switch connects **red** wire, valve open, internal power of actuator automatically cut off after in place. Valve remains fully **open** position.
 3. Switch connects **green** wire, valve close, internal power of actuator automatically cut off after in place. Valve remains fully **close** position.
- ✧ Working voltage: **DC12V**
 - ✧ Do not work over working voltage

