

WINSMITH STAINLESS GEARMOTOR



Winsmith IP69K Certified Stainless Gearmotors provide the ultimate ingress protection for the harshest food processing environments. This superior washdown Gearmotor combines the legendary Winsmith Stainless Conveyor Drive with a robust stainless steel motor to provide a complete IP69K rated solution.

Additional Stainless Gearmotor benefits include:

- High performing gearmotor with IP69K rating - the highest ranking Ingress Protection (IP) scale classifying a high degree of protection against the intrusion of liquids and solids
- A modular design offering various combinations that can be customized for each individual application
- Designed for reliable and durable operation in wet applications
- First-class customer service from Winsmith

FEATURES & BENEFITS

A Stainless Conveyor Drive Features

- **Continuous, Smooth Housing**
 - No covers, seams or bolts make wash down easy and minimize the possibility for bacterial growth
- **IP69K Certified for Severe Washdown**
 - 176°F water and steam at 1450 psi, 4 gal/minute
- **Premium Efficiency Gearing**
 - Up to 97% efficient gearing provides affordable energy savings
- **Sealed Operation**
 - Superior washdown performance for meat and poultry conveyor applications
- **WashTite Shield and Integrated Input Sealing Gasket Between Motor and Reducer**
 - Provides superior ingress protection
- **Common Industry Interchange Dimensions**
 - Simplifies installation
- **Food Safety Blue Plugs**
 - FDA compliant material
 - Magnetically detectable
 - X-ray detectable
 - Plugs are pressure wash tested to 1450 psi
- **Mobil Glygoyle™ 460 H1 Registered Lubricant**
 - Suitable for food contact

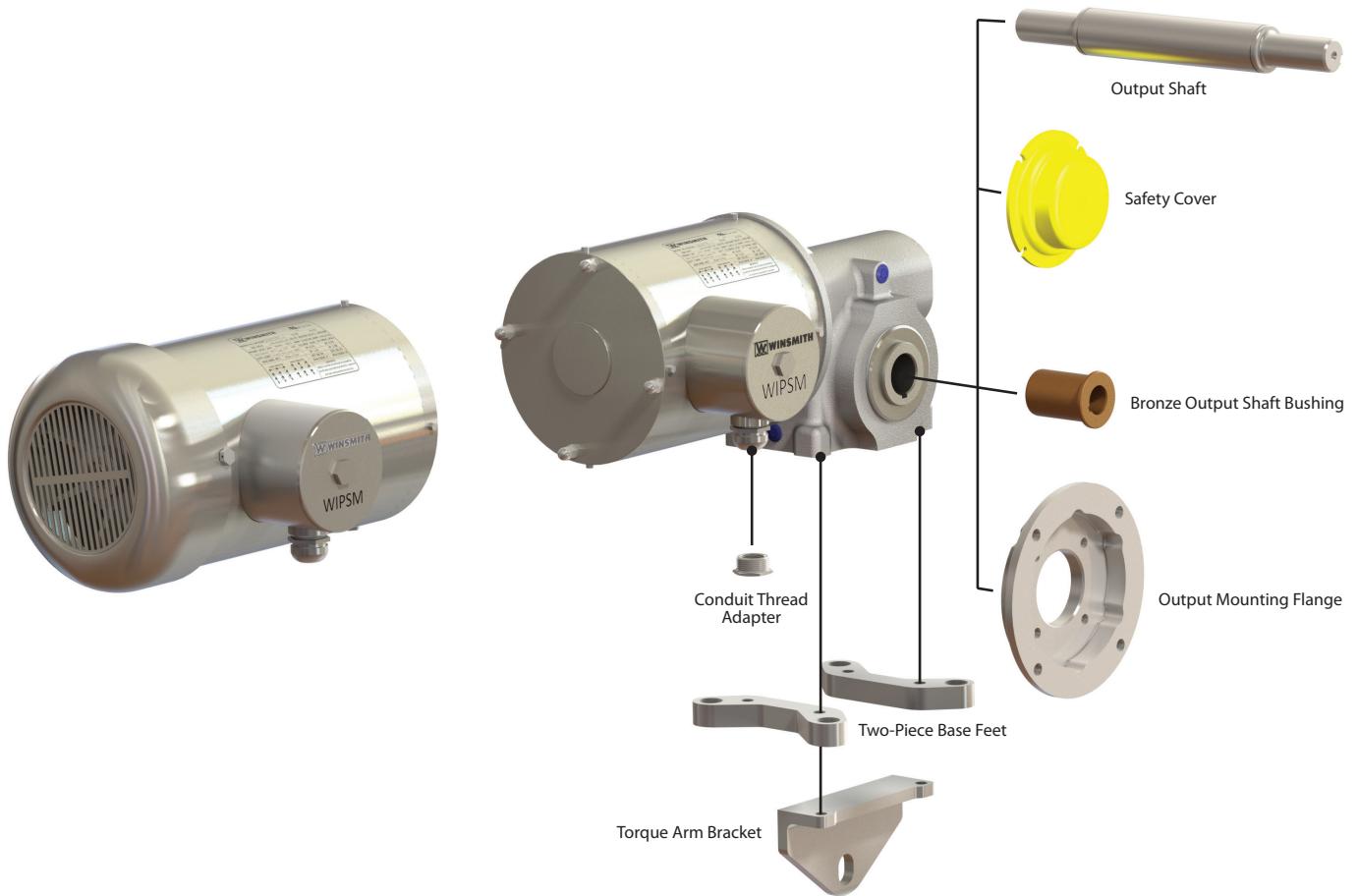
Glygoyle is a trademark of Exxon Mobil Corporation or one of its subsidiaries.



B IP69K Rated Motor Features

- Epoxy coated windings
- 300 series stainless steel housing, end bells, output shaft and conduit box
- Double lip shaft seals
- O-rings between end bells, housing and conduit cover
- Welded-on conduit box with epoxy encapsulated head entrance for superior durability and sealing
- Laser marked motor data and wiring diagram laser marked on housing
- Meets NEMA MG 1-2016 standards
- 4-Quadrant drain holes to remove internal condensation
- Class F insulation
- Class B rise @ 1.15 service factor
- Numbered motor leads for quick and easy installation
- Wire leads sealed to housing port
- Inverter Rated
- 230/460V

MODULAR DESIGN



Base Configurations



MPSS/TENV
Stainless Hollow Output Shaft with Clamp Collar Connection
Totally Enclosed Non-Vented Gearmotor (TENV)



MPSS/TEFC
Stainless Hollow Output Shaft with Clamp Collar Connection
Totally Enclosed Fan Cooled Gearmotor (TEFC)



MPMS/TENV
Stainless Hollow Bore Output Shaft with Set-Screw Connection
Totally Enclosed Non-Vented Gearmotor (TENV)

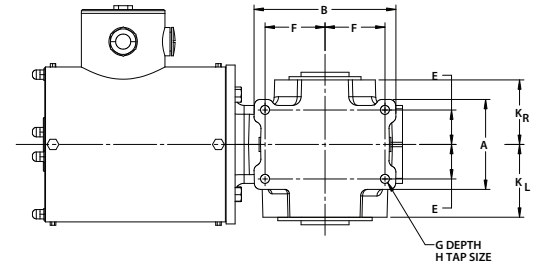
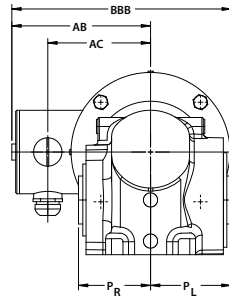
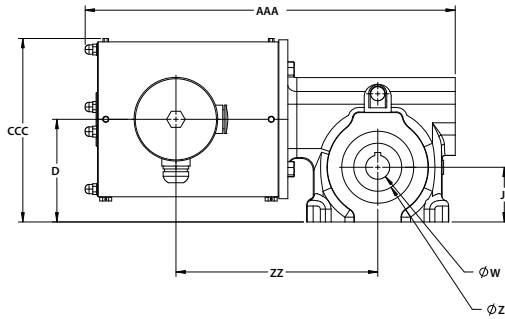


MPMS/TEFC
Stainless Hollow Bore Output Shaft with Set-Screw Connection
Totally Enclosed Fan Cooled Gearmotor (TEFC)

See www.winsmith.com/gearmotor for more details.



DIMENSIONS

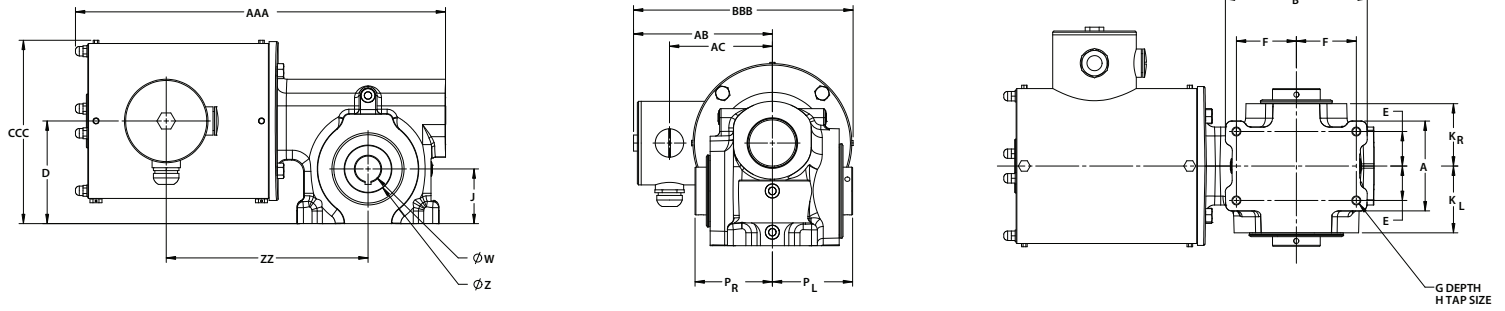


WINSMITH STAINLESS GEARMOTOR, MPSS, TENV

CENTER DISTANCE	MOTOR HP	MOTOR FRAME	A	B	D	E	F	G DEPTH	H TAP	J	K _L	K _R	P _L	P _R	Z	ZZ	AB	AC	AAA	BBB	CCC
1.75	1/3	56C	3.56	5.22	3.81	1.38	2.09	0.52	5/16-18	2.06	2.88	2.50	3.19	2.81	1.49	8.47	5.79	4.29	15.52	9.16	7.18
	1/2	56C	3.56	5.22	3.81	1.38	2.09	0.52	5/16-18	2.06	2.88	2.50	3.19	2.81	1.49	8.47	5.79	4.29	15.50	9.16	7.18
	3/4	56C	3.56	5.22	3.81	1.38	2.09	0.52	5/16-18	2.06	2.88	2.50	3.19	2.81	1.49	8.47	5.79	4.29	15.52	9.16	7.18
	1	56C	3.56	5.22	3.81	1.38	2.09	0.52	5/16-18	2.06	2.88	2.50	3.19	2.81	1.49	9.65	5.79	4.29	16.69	9.16	7.18
	1	143TC	3.56	5.22	3.81	1.38	2.09	0.52	5/16-18	2.06	2.88	2.50	3.19	2.81	1.49	9.65	5.79	4.29	16.75	9.16	7.18
2.00	1/3	56C	3.75	5.92	4.28	1.44	2.50	0.62	3/8-16	2.28	3.04	2.69	3.35	3.01	1.99	8.42	5.79	4.29	15.43	9.16	7.65
	1/2	56C	3.75	5.92	4.28	1.44	2.50	0.62	3/8-16	2.28	3.04	2.69	3.35	3.01	1.99	8.42	5.79	4.29	15.41	9.16	7.65
	3/4	56C	3.75	5.92	4.28	1.44	2.50	0.62	3/8-16	2.28	3.04	2.69	3.35	3.01	1.99	8.42	5.79	4.29	15.43	9.16	7.65
	1	56C	3.75	5.92	4.28	1.44	2.50	0.62	3/8-16	2.28	3.04	2.69	3.35	3.01	1.99	9.60	5.79	4.29	16.60	9.16	7.65
	1	143TC	3.75	5.92	4.28	1.44	2.50	0.62	3/8-16	2.28	3.04	2.69	3.35	3.01	1.99	9.80	5.79	4.29	16.66	9.16	7.65
2.38	1/3	56C	3.75	6.19	4.88	1.44	2.50	0.63	3/8-16	2.50	3.14	2.78	3.46	3.09	2.24	9.67	5.79	4.29	17.34	9.16	8.42
	1/2	56C	3.75	6.19	4.88	1.44	2.50	0.63	3/8-16	2.50	3.14	2.78	3.46	3.09	2.24	9.67	5.79	4.29	17.34	9.16	8.24
	3/4	56C	3.75	6.19	4.88	1.44	2.50	0.63	3/8-16	2.50	3.14	2.78	3.46	3.09	2.24	9.67	5.79	4.29	17.34	9.16	8.24
	1	56C	3.75	6.19	4.88	1.44	2.50	0.63	3/8-16	2.50	3.14	2.78	3.46	3.09	2.24	10.85	5.79	4.29	18.51	9.16	8.24
	1	143TC	3.75	6.19	4.88	1.44	2.50	0.63	3/8-16	2.50	3.14	2.78	3.46	3.09	2.24	11.10	5.79	4.29	18.57	9.16	8.24
2.63	1/3	56C	4.50	7.50	5.56	1.69	3.19	0.69	3/8-16	2.94	3.31	2.81	3.63	3.12	2.49	9.63	5.79	4.29	17.23	9.16	8.93
	1/2	56C	4.50	7.50	5.56	1.69	3.19	0.69	3/8-16	2.94	3.31	2.81	3.63	3.12	2.49	9.63	5.79	4.29	17.23	9.16	8.93
	3/4	56C	4.50	7.50	5.56	1.69	3.19	0.69	3/8-16	2.94	3.31	2.81	3.63	3.12	2.49	9.63	5.79	4.29	17.23	9.16	8.93
	1	56C	4.50	7.50	5.56	1.69	3.19	0.69	3/8-16	2.94	3.31	2.81	3.63	3.12	2.49	10.81	5.79	4.29	18.38	9.16	8.93
	1	143TC	4.50	7.50	5.56	1.69	3.19	0.69	3/8-16	2.94	3.31	2.81	3.63	3.12	2.49	10.81	5.79	4.29	18.44	9.16	8.93
3.00	1/3	56C	5.13	8.67	6.50	2.00	3.75	0.69	7/16-14	3.50	3.63	3.00	4.00	3.38	2.62	9.83	5.79	4.29	17.76	9.16	9.87
	1/2	56C	5.13	8.67	6.50	2.00	3.75	0.69	7/16-14	3.50	3.63	3.00	4.00	3.38	2.62	9.83	5.79	4.29	17.76	9.16	9.87
	3/4	56C	5.13	8.67	6.50	2.00	3.75	0.69	7/16-14	3.50	3.63	3.00	4.00	3.38	2.62	9.83	5.79	4.29	17.76	9.16	9.87
	1	56C	5.13	8.67	6.50	2.00	3.75	0.69	7/16-14	3.50	3.63	3.00	4.00	3.38	2.62	11.01	5.79	4.29	18.93	9.16	9.87
	1	143TC	5.13	8.67	6.50	2.00	3.75	0.69	7/16-14	3.50	3.63	3.00	4.00	3.38	2.62	11.01	5.79	4.29	18.99	9.16	9.87

All dimensions are in inches.

DIMENSIONS



WINSMITH STAINLESS GEARMOTOR, MPMS, TENV

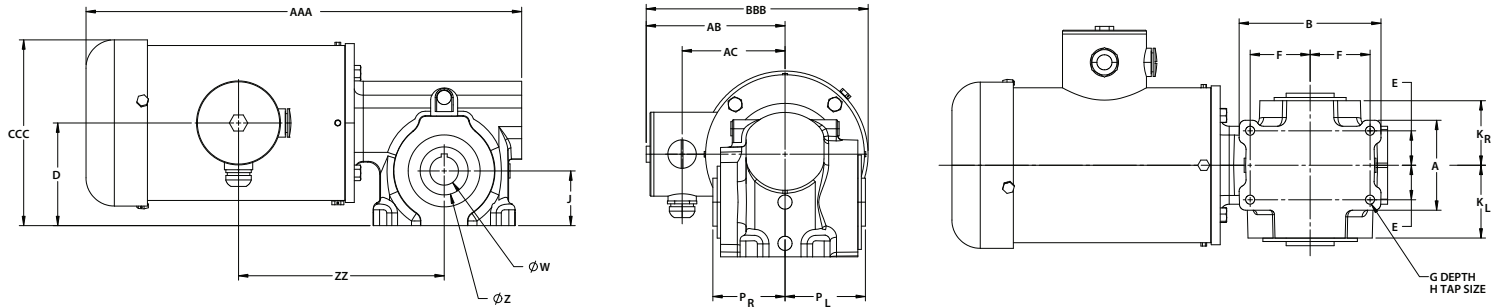
CENTER DISTANCE	MOTOR HP	MOTOR FRAME	A	B	D	E	F	G DEPTH	H TAP	J	K _L	K _R	P _L	P _R	Z	ZZ	AB	AC	AAA	BBB	CCC
1.75	1/3	56C	3.56	5.22	3.81	1.38	2.09	0.52	5/16-18	2.06	2.62	2.50	3.09	3.03	1.49	8.47	5.79	4.29	15.52	9.16	7.18
	1/2	56C	3.56	5.22	3.81	1.38	2.09	0.52	5/16-18	2.06	2.62	2.50	3.09	3.03	1.49	8.47	5.79	4.29	15.50	9.16	7.18
	3/4	56C	3.56	5.22	3.81	1.38	2.09	0.52	5/16-18	2.06	2.62	2.50	3.09	3.03	1.49	8.47	5.79	4.29	15.52	9.16	7.18
	1	56C	3.56	5.22	3.81	1.38	2.09	0.52	5/16-18	2.06	2.62	2.50	3.09	3.03	1.49	9.65	5.79	4.29	16.69	9.16	7.18
	1	143TC	3.56	5.22	3.81	1.38	2.09	0.52	5/16-18	2.06	2.62	2.50	3.09	3.03	1.49	9.65	5.79	4.29	16.75	9.16	7.18
2.00	1/3	56C	3.75	5.92	4.28	1.44	2.50	0.62	3/8-16	2.28	2.98	2.40	3.54	3.03	1.99	8.42	5.79	4.29	15.43	9.16	7.65
	1/2	56C	3.75	5.92	4.28	1.44	2.50	0.62	3/8-16	2.28	2.98	2.40	3.54	3.03	1.99	8.42	5.79	4.29	15.41	9.16	7.65
	3/4	56C	3.75	5.92	4.28	1.44	2.50	0.62	3/8-16	2.28	2.98	2.40	3.54	3.03	1.99	8.42	5.79	4.29	15.43	9.16	7.65
	1	56C	3.75	5.92	4.28	1.44	2.50	0.62	3/8-16	2.28	2.98	2.40	3.54	3.03	1.99	9.60	5.79	4.29	16.60	9.16	7.65
	1	143TC	3.75	5.92	4.28	1.44	2.50	0.62	3/8-16	2.28	2.98	2.40	3.54	3.03	1.99	9.80	5.79	4.29	16.66	9.16	7.65
2.38	1/3	56C	3.75	6.19	4.88	1.44	2.50	0.63	3/8-16	2.50	2.79	2.61	3.38	3.22	2.24	9.67	5.79	4.29	17.34	9.16	8.42
	1/2	56C	3.75	6.19	4.88	1.44	2.50	0.63	3/8-16	2.50	2.79	2.61	3.38	3.22	2.24	9.67	5.79	4.29	17.34	9.16	8.24
	3/4	56C	3.75	6.19	4.88	1.44	2.50	0.63	3/8-16	2.50	2.79	2.61	3.38	3.22	2.24	9.67	5.79	4.29	17.34	9.16	8.24
	1	56C	3.75	6.19	4.88	1.44	2.50	0.63	3/8-16	2.50	2.79	2.61	3.38	3.22	2.24	10.85	5.79	4.29	18.51	9.16	8.24
	1	143TC	3.75	6.19	4.88	1.44	2.50	0.63	3/8-16	2.50	2.79	2.61	3.38	3.22	2.24	11.10	5.79	4.29	18.57	9.16	8.24
2.63	1/3	56C	4.50	7.50	5.56	1.69	3.19	0.69	3/8-16	2.94	3.15	2.57	3.74	3.20	2.49	9.63	5.79	4.29	17.23	9.16	8.93
	1/2	56C	4.50	7.50	5.56	1.69	3.19	0.69	3/8-16	2.94	3.15	2.57	3.74	3.20	2.49	9.63	5.79	4.29	17.23	9.16	8.93
	3/4	56C	4.50	7.50	5.56	1.69	3.19	0.69	3/8-16	2.94	3.15	2.57	3.74	3.20	2.49	9.63	5.79	4.29	17.23	9.16	8.93
	1	56C	4.50	7.50	5.56	1.69	3.19	0.69	3/8-16	2.94	3.15	2.57	3.74	3.20	2.49	10.81	5.79	4.29	18.38	9.16	8.93
	1	143TC	4.50	7.50	5.56	1.69	3.19	0.69	3/8-16	2.94	3.15	2.57	3.74	3.20	2.49	10.81	5.79	4.29	18.44	9.16	8.93
3.00	1/3	56C	5.13	8.67	6.50	2.00	3.75	0.69	7/16-14	3.50	3.63	3.00	4.31	4.31	2.62	9.83	5.79	4.29	17.76	9.16	9.87
	1/2	56C	5.13	8.67	6.50	2.00	3.75	0.69	7/16-14	3.50	3.63	3.00	4.31	4.31	2.62	9.83	5.79	4.29	17.76	9.16	9.87
	3/4	56C	5.13	8.67	6.50	2.00	3.75	0.69	7/16-14	3.50	3.63	3.00	4.31	4.31	2.62	9.83	5.79	4.29	17.76	9.16	9.87
	1	56C	5.13	8.67	6.50	2.00	3.75	0.69	7/16-14	3.50	3.63	3.00	4.31	4.31	2.62	11.01	5.79	4.29	18.93	9.16	9.87
	1	143TC	5.13	8.67	6.50	2.00	3.75	0.69	7/16-14	3.50	3.63	3.00	4.31	4.31	2.62	11.01	5.79	4.29	18.99	9.16	9.87

All dimensions are in inches.

See www.winsmith.com/gearmotor for more details.



DIMENSIONS

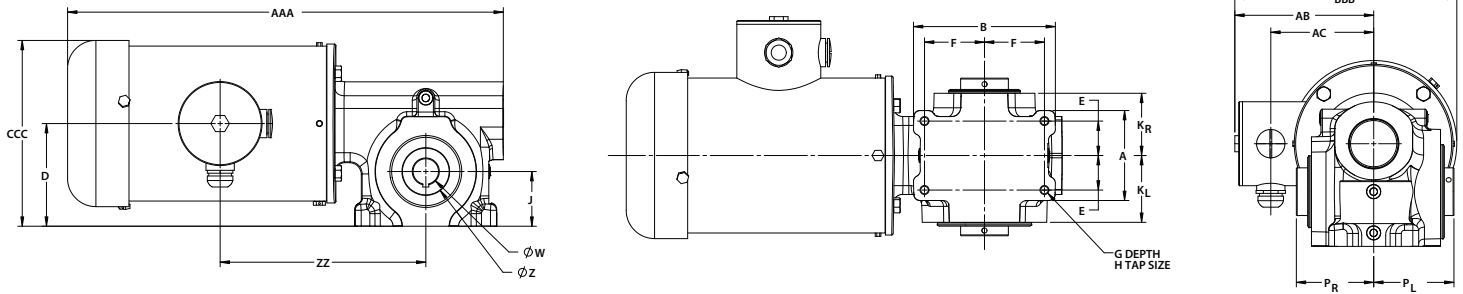


WINSMITH STAINLESS GEARMOTOR, MPSS, TEFC

CENTER DISTANCE	MOTOR HP	MOTOR FRAME	A	B	D	E	F	G DEPTH	H TAP	J	KL	KR	PL	PR	Z	ZZ	AB	AC	AAA	BBB	CCC
1.75	1	56C	3.56	5.22	3.81	1.38	2.09	0.52	5/16-18	2.06	2.88	2.50	3.19	2.81	1.49	8.63	5.79	4.29	18.26	9.86	7.28
	1	143TC	3.56	5.22	3.81	1.38	2.09	0.52	5/16-18	2.06	2.88	2.50	3.19	2.81	1.49	9.65	5.79	4.29	18.28	9.26	7.28
	1 1/2	143TC	3.56	5.22	3.81	1.38	2.09	0.52	5/16-18	2.06	2.88	2.50	3.19	2.81	1.49	10.44	5.79	4.29	19.07	9.26	7.28
	2	145TC	3.56	5.22	3.81	1.38	2.09	0.52	5/16-18	2.06	2.88	2.50	3.19	2.81	1.49	10.44	5.79	4.29	19.07	9.26	7.28
	3	145TC	3.56	5.22	3.81	1.38	2.09	0.52	5/16-18	2.06	2.88	2.50	3.19	2.81	1.49	12.49	5.79	4.29	23.20	9.16	7.28
2.00	1	56C	3.75	5.92	4.28	1.44	2.50	0.62	3/8-16	2.28	3.04	2.69	3.35	3.01	1.99	8.58	5.79	4.29	18.17	9.86	7.64
	1	143TC	3.75	5.92	4.28	1.44	2.50	0.62	3/8-16	2.28	3.04	2.69	3.35	3.01	1.99	9.80	5.79	4.29	18.19	9.26	7.64
	1 1/2	143TC	3.75	5.92	4.28	1.44	2.50	0.62	3/8-16	2.28	3.04	2.69	3.35	3.01	1.99	10.39	5.79	4.29	18.98	9.26	7.64
	2	145TC	3.75	5.92	4.28	1.44	2.50	0.62	3/8-16	2.28	3.04	2.69	3.35	3.01	1.99	10.58	5.79	4.29	18.98	9.26	7.64
	3	145TC	3.75	5.92	4.28	1.44	2.50	0.62	3/8-16	2.28	3.04	2.69	3.35	3.01	1.99	12.43	5.79	4.29	23.11	9.16	7.64
2.38	1	56C	3.75	6.19	4.88	1.44	2.50	0.63	3/8-16	2.50	3.14	2.78	3.46	3.09	2.24	9.83	5.79	4.29	20.08	9.86	8.34
	1	143TC	3.75	6.19	4.88	1.44	2.50	0.63	3/8-16	2.50	3.14	2.78	3.46	3.09	2.24	10.85	5.79	4.29	20.10	9.26	8.34
	1 1/2	143TC	3.75	6.19	4.88	1.44	2.50	0.63	3/8-16	2.50	3.14	2.78	3.46	3.09	2.24	11.64	5.79	4.29	20.89	9.26	8.34
	2	145TC	3.75	6.19	4.88	1.44	2.50	0.63	3/8-16	2.50	3.14	2.78	3.46	3.09	2.24	11.87	5.79	4.29	20.89	9.26	8.34
	3	145TC	3.75	6.19	4.88	1.44	2.50	0.63	3/8-16	2.50	3.14	2.78	3.46	3.09	2.24	13.68	5.79	4.29	25.01	9.16	8.34
2.63	1	56C	4.50	7.50	5.56	1.69	3.19	0.69	3/8-16	2.94	3.31	2.81	3.63	3.12	2.49	10.14	5.79	4.29	19.97	9.86	8.97
	1	143TC	4.50	7.50	5.56	1.69	3.19	0.69	3/8-16	2.94	3.31	2.81	3.63	3.12	2.49	11.12	5.79	4.29	19.99	9.26	8.97
	1 1/2	143TC	4.50	7.50	5.56	1.69	3.19	0.69	3/8-16	2.94	3.31	2.81	3.63	3.12	2.49	11.89	5.79	4.29	20.78	9.26	8.97
	2	145TC	4.50	7.50	5.56	1.69	3.19	0.69	3/8-16	2.94	3.31	2.81	3.63	3.12	2.49	11.60	5.79	4.29	20.78	9.26	8.97
	3	145TC	4.50	7.50	5.56	1.69	3.19	0.69	3/8-16	2.94	3.31	2.81	3.63	3.12	2.49	13.65	5.79	4.29	24.91	9.16	8.97
3.00	1	56C	5.13	8.67	6.50	2.00	3.75	0.69	7/16-14	3.50	3.63	3.00	4.00	3.38	2.62	10.43	5.79	4.29	20.50	9.86	9.86
	1	143TC	5.13	8.67	6.50	2.00	3.75	0.69	7/16-14	3.50	3.63	3.00	4.00	3.38	2.62	11.41	5.79	4.29	20.52	9.26	9.86
	1 1/2	143TC	5.13	8.67	6.50	2.00	3.75	0.69	7/16-14	3.50	3.63	3.00	4.00	3.38	2.62	12.17	5.79	4.29	21.31	9.26	9.86
	2	145TC	5.13	8.67	6.50	2.00	3.75	0.69	7/16-14	3.50	3.63	3.00	4.00	3.38	2.62	11.80	5.79	4.29	21.31	9.26	9.86
	3	145TC	5.13	8.67	6.50	2.00	3.75	0.69	7/16-14	3.50	3.63	3.00	4.00	3.38	2.62	13.84	5.79	4.29	25.44	9.16	9.86

All dimensions are in inches.

DIMENSIONS



WINSMITH STAINLESS GEARMOTOR, MPMS, TEFC

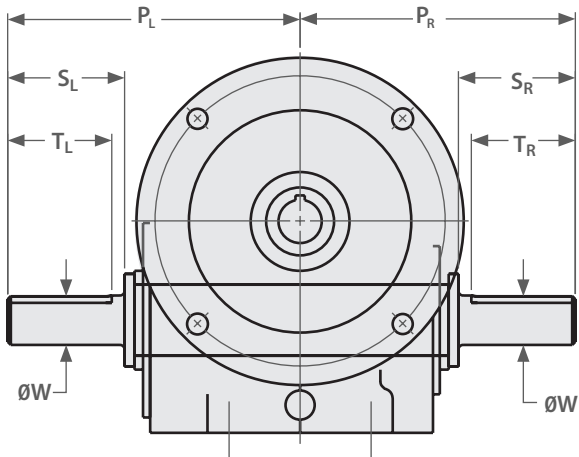
CENTER DISTANCE	MOTOR HP	MOTOR FRAME	A	B	D	E	F	G DEPTH	H TAP	J	K_L	K_R	P_L	P_R	Z	ZZ	AB	AC	AAA	BBB	CCC
1.75	1	56C	3.56	5.22	3.81	1.38	2.09	0.52	5/16-18	2.06	2.62	2.50	3.09	3.03	1.49	8.63	5.79	4.29	18.26	9.86	7.28
	1	143TC	3.56	5.22	3.81	1.38	2.09	0.52	5/16-18	2.06	2.62	2.50	3.09	3.03	1.49	9.65	5.79	4.29	18.28	9.26	7.28
	1 1/2	143TC	3.56	5.22	3.81	1.38	2.09	0.52	5/16-18	2.06	2.62	2.50	3.09	3.03	1.49	10.44	5.79	4.29	19.07	9.26	7.28
	2	145TC	3.56	5.22	3.81	1.38	2.09	0.52	5/16-18	2.06	2.62	2.50	3.09	3.03	1.49	10.44	5.79	4.29	19.07	9.26	7.28
	3	145TC	3.56	5.22	3.81	1.38	2.09	0.52	5/16-18	2.06	2.62	2.50	3.09	3.03	1.49	12.49	5.79	4.29	23.20	9.16	7.28
2.00	1	56C	3.75	5.92	4.28	1.44	2.50	0.62	3/8-16	2.28	2.98	2.40	3.54	3.03	1.99	8.58	5.79	4.29	18.17	9.86	7.64
	1	143TC	3.75	5.92	4.28	1.44	2.50	0.62	3/8-16	2.28	2.98	2.40	3.54	3.03	1.99	9.80	5.79	4.29	18.19	9.26	7.64
	1 1/2	143TC	3.75	5.92	4.28	1.44	2.50	0.62	3/8-16	2.28	2.98	2.40	3.54	3.03	1.99	10.39	5.79	4.29	18.98	9.26	7.64
	2	145TC	3.75	5.92	4.28	1.44	2.50	0.62	3/8-16	2.28	2.98	2.40	3.54	3.03	1.99	10.58	5.79	4.29	18.98	9.26	7.64
	3	145TC	3.75	5.92	4.28	1.44	2.50	0.62	3/8-16	2.28	2.98	2.40	3.54	3.03	1.99	12.43	5.79	4.29	23.11	9.16	7.64
2.38	1	56C	3.75	6.19	4.88	1.44	2.50	0.63	3/8-16	2.50	2.79	2.61	3.38	3.22	2.24	9.83	5.79	4.29	20.08	9.86	8.34
	1	143TC	3.75	6.19	4.88	1.44	2.50	0.63	3/8-16	2.50	2.79	2.61	3.38	3.22	2.24	10.85	5.79	4.29	20.10	9.26	8.34
	1 1/2	143TC	3.75	6.19	4.88	1.44	2.50	0.63	3/8-16	2.50	2.79	2.61	3.38	3.22	2.24	11.64	5.79	4.29	20.89	9.26	8.34
	2	145TC	3.75	6.19	4.88	1.44	2.50	0.63	3/8-16	2.50	2.79	2.61	3.38	3.22	2.24	11.87	5.79	4.29	20.89	9.26	8.34
	3	145TC	3.75	6.19	4.88	1.44	2.50	0.63	3/8-16	2.50	2.79	2.61	3.38	3.22	2.24	13.68	5.79	4.29	25.01	9.16	8.34
2.63	1	56C	4.50	7.50	5.56	1.69	3.19	0.69	3/8-16	2.94	3.15	2.57	3.74	3.20	2.49	10.14	5.79	4.29	19.97	9.86	8.97
	1	143TC	4.50	7.50	5.56	1.69	3.19	0.69	3/8-16	2.94	3.15	2.57	3.74	3.20	2.49	11.12	5.79	4.29	19.99	9.26	8.97
	1 1/2	143TC	4.50	7.50	5.56	1.69	3.19	0.69	3/8-16	2.94	3.15	2.57	3.74	3.20	2.49	11.89	5.79	4.29	20.78	9.26	8.97
	2	145TC	4.50	7.50	5.56	1.69	3.19	0.69	3/8-16	2.94	3.15	2.57	3.74	3.20	2.49	11.60	5.79	4.29	20.78	9.26	8.97
	3	145TC	4.50	7.50	5.56	1.69	3.19	0.69	3/8-16	2.94	3.15	2.57	3.74	3.20	2.49	13.65	5.79	4.29	24.91	9.16	8.97
3.00	1	56C	5.13	8.67	6.50	2.00	3.75	0.69	7/16-14	3.50	3.63	3.00	4.31	4.31	2.62	10.43	5.79	4.29	20.50	9.86	9.86
	1	143TC	5.13	8.67	6.50	2.00	3.75	0.69	7/16-14	3.50	3.63	3.00	4.31	4.31	2.62	11.41	5.79	4.29	20.52	9.26	9.86
	1 1/2	143TC	5.13	8.67	6.50	2.00	3.75	0.69	7/16-14	3.50	3.63	3.00	4.31	4.31	2.62	12.17	5.79	4.29	21.31	9.26	9.86
	2	145TC	5.13	8.67	6.50	2.00	3.75	0.69	7/16-14	3.50	3.63	3.00	4.31	4.31	2.62	11.80	5.79	4.29	21.31	9.26	9.86
	3	145TC	5.13	8.67	6.50	2.00	3.75	0.69	7/16-14	3.50	3.63	3.00	4.31	4.31	2.62	13.84	5.79	4.29	25.44	9.16	9.86

All dimensions are in inches.

See www.winsmith.com/gearmotor for more details.



DIMENSIONS



HOLLOW OUTPUT SHAFT BORE SIZES (W)*

CENTER DISTANCE	1.000	1.188	1.250	1.438	1.500	1.688	1.938
1.75	●						
2.00	▲ ●	▲ ●	▲ ●	●**			
2.38	▲ ●	▲	▲ ●	●	●		
2.63	▲ ●	◆	▲ ●	▲	▲ ●	●	
3.00	◆	◆	▲ ●	▲	◆	◆	●
OUTPUT KEYWAY	$\frac{1}{4} \times \frac{1}{8}$	$\frac{1}{4} \times \frac{1}{8}$	$\frac{1}{4} \times \frac{1}{8}$	$\frac{3}{8} \times \frac{3}{16}$	$\frac{3}{8} \times \frac{3}{16}$	$\frac{3}{8} \times \frac{3}{16}$	$\frac{1}{2} \times \frac{3}{16}$

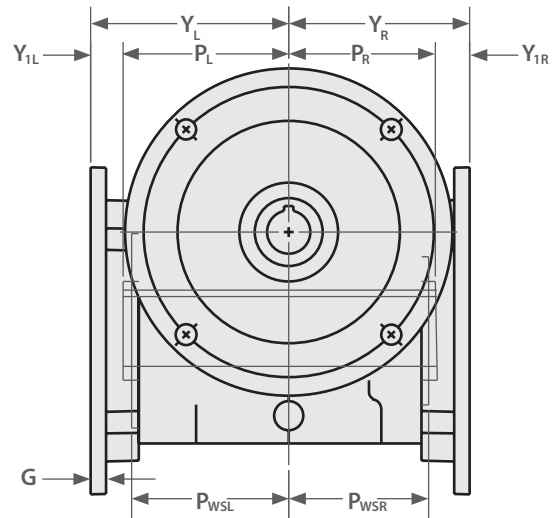
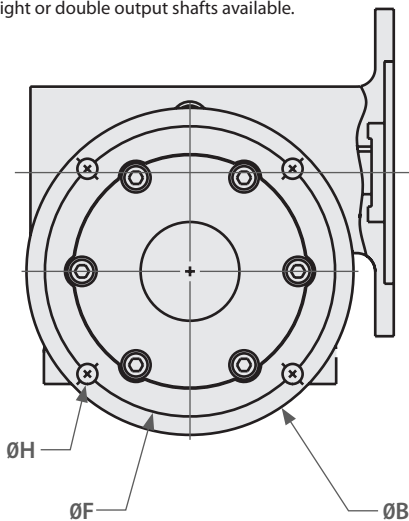
● = Bored to Size ▲ = Bronze Bushing Available ◆ = Optional
 * Bore Tolerance $+0.002/-.000$ ** Keyway is $\frac{3}{8} \times \frac{1}{8}$

SOLID OUTPUT SHAFTS

CENTER DISTANCE	P_L	P_R	S_L	T_L	W^*	OUTPUT KEYWAY	S_R	T_R
1.75	5.75	5.38	2.41	2.38	0.875	$\frac{3}{16} \times \frac{3}{32}$	2.41	2.38
			2.51				2.51	
2.00	5.91	5.58	2.36	2.28	1.000	$\frac{1}{4} \times \frac{1}{8}$	2.36	2.28
2.38	6.27	5.91	2.60	2.52	1.125	$\frac{1}{4} \times \frac{1}{8}$	2.60	2.52
					1.250			
2.63	6.42	5.97	2.59	2.58	1.125	$\frac{1}{4} \times \frac{1}{8}$	2.59	2.50
				2.52				
				1.250				
3.00	6.57	6.56	2.63	2.53	1.250	$\frac{1}{4} \times \frac{1}{8}$	2.54	
				2.55	1.375		2.63	2.55
				2.58	1.500		$\frac{3}{16} \times \frac{3}{32}$	2.58

*Shaft Diameter Tolerance: $+0.000/-.001$

Note: Left, right or double output shafts available.



OUTPUT MOUNTING FLANGES

CENTER DISTANCE	B	F	G	H	P_L	P_R	Y_L	Y_R	Y_{1L}	Y_{1R}
1.75	6.56	5.875	0.31	0.344	3.19	2.81	3.88	3.50	0.69	0.69
2.00	6.62	5.875			3.35	3.01	4.02	3.67	0.67	0.66
2.38	8.41	7.500	0.38	0.406	3.46	3.09	4.14	3.78	0.68	0.69
2.63	8.89	8.000			3.63	3.12	4.37	3.87	0.74	0.75
3.00	10.00	9.000	0.38	0.469	4.00	3.38	4.81	4.19	0.81	0.81

Note: Left or right flange mounts available.

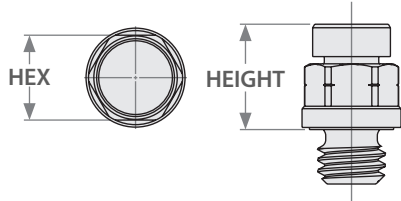
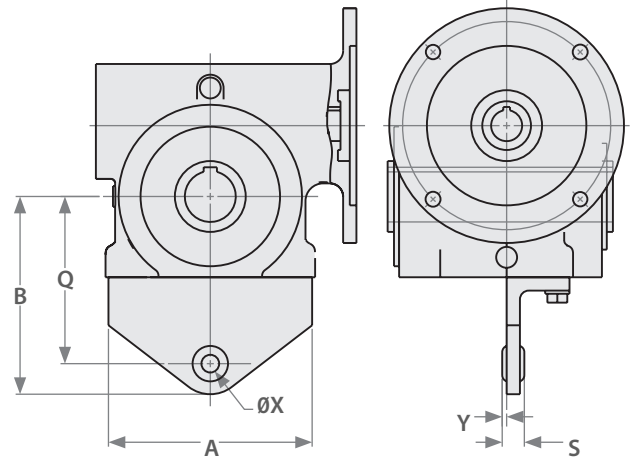
All dimensions are in inches.

ACCESSORIES



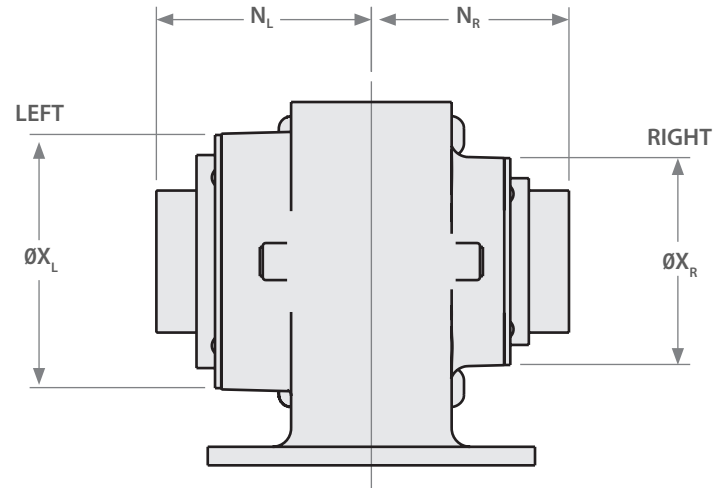
TORQUE ARM BRACKETS

CENTER DISTANCE	A	B ₁	Q ₁	S	X	Y	KIT#
1.75	5.13	5.36	4.50	0.63	0.50	0.13	TK9952720
2.00	5.75	5.58	4.72				TK9952721
2.38	6.00	5.80	4.94				TK9952722
2.63	7.25	6.24	5.38				TK9952723
3.00	7.63	6.80	5.94				TK9952724



VENT OPTION

HEIGHT	HEX	KIT #
0.59	0.50	52096



MPSS SHAFT CLAMP COLLARS

BORE	THK.	O.D.	KIT #
1.000	0.50	1.75	CK52228
1.188		2.06	CK52230
1.250		2.06	CK52231
1.438	0.56	2.25	CK52233
1.500		2.38	CK52234
1.688	0.69	2.75	CK52235
1.938		3.00	CK52237

SAFETY COVERS

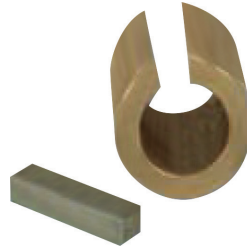
CENTER DISTANCE	COVER SIDE	N _L	N _R	X _L	X _R	KIT #
1.75	L/R	4.13	3.75	4.63	3.50	CK9952710
	Left		–		–	CK9952710L
	Right	–	3.75	–	3.50	CK9952710R
2.00	L/R	4.35	4.00	5.13	4.19	CK9952711
	Left		–		–	–
Right	–	4.00	–	4.19	CK9952711R	
2.38	L/R	4.45	4.09	5.75	4.81	CK9952712
	Left		–		–	–
	Right	–	4.09	–	4.81	CK9952712R
2.63	L/R	4.75	4.25	6.42	4.90	CK9952713
	Left		–		–	–
	Right	–	4.25	–	4.90	CK9952713R
3.00	L/R	5.19	4.56	7.46	5.28	CK9952714
	Left		–		–	–
	Right	–	4.56	–	5.28	CK9952714R

All dimensions are in inches.

See www.winsmith.com/gearmotor for more details.



ACCESSORIES



BRONZE HOLLOW OUTPUT SHAFT BUSHINGS

CENTER DISTANCE	BUSHING I.D. **	KIT #
2.00	1.000	WKS850468
	1.188	WKS850625
	1.250	WKS850469
2.38	1.000	WKS850653
	1.188	WKS850662
	1.250	WKS850470
2.63	1.000	WKS850627
	1.250	WKS850479
	1.438	WKS850472
	1.500	WKS850473
3.00	1.250	WKS850481
	1.438	WKS850474

** Bore Tolerance $^{+0.002}/_{.000}$

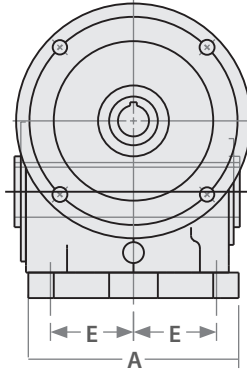
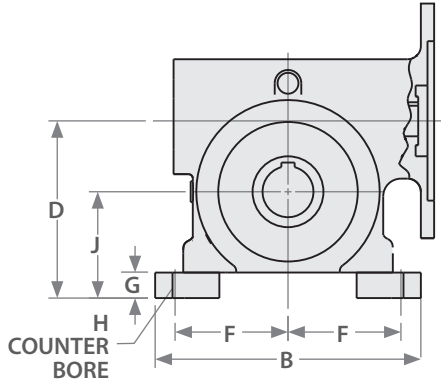
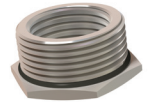
BRONZE INPUT SHAFT BUSHING

MOTOR FLANGE (SHAFT DIAMETER)	REDUCER INPUT ADAPTER (BORE SIZE)	BUSHING LENGTH	KEYWAY SIZE	KIT #
56C (0.625)	140TC (0.875)	1.44	$\frac{3}{16} \times \frac{3}{32}$	WK9810170

All kits include mounting hardware. | All dimensions are in inches.

METRIC TO IMPERIAL CONDUIT THREAD ADAPTER

EXTERNAL THREAD	INTERNAL THREAD	KIT #
25mm x 1.5	$\frac{1}{2}$ "NPT	150527



BASE FEET (TWO-PIECE)

CENTER DISTANCE	A	B	D	E	F	G	H	J	KIT #
1.75	5.63	6.86	4.50	2.25	2.87	0.69	$\frac{3}{8}$ SHCS	2.75	BK9998140
2.00	5.81	7.50	5.00	2.34	3.19	0.72		3.00	BK9998141
2.38	6.12	8.30	5.63	2.44	3.53	0.75	$\frac{7}{16}$ SHCS	3.25	BK9998142
2.63	6.65	9.41	6.31	2.63	4.00		$\frac{1}{2}$ SHCS	3.69	BK9998143
3.00	7.63	11.00	7.38	3.06	4.75	0.88		4.38	BK9998144

SHCS = Socket Head Cap Screw.

All dimensions are in inches.

CONTINUOUS DUTY MECHANICAL RATINGS

1/3 HP, 1750 RPM

CENTER DISTANCE	OUTPUT RPM	OUTPUT TORQUE (lbf-in)	RATIO	OHL (lbf)	SERVICE FACTOR	AGMA CLASS	APPROXIMATE WEIGHT (lbm)
1.75	175	113	10:1	438	4.9	III	50
1.75	117	164	15:1	438	3.4	III	50
2.00	117	166	15:1	1164	4.7	III	58
1.75	88	214	20:1	438	2.8	III	50
2.00	88	216	20:1	1164	3.7	III	58
1.75	70	261	25:1	438	2.1	III	50
2.00	70	264	25:1	1164	3.0	III	58
2.38	70	264	25:1	1177	4.8	III	65
1.75	58	302	30:1	438	1.9	II	50
2.00	58	306	30:1	1164	2.5	III	58
2.38	58	313	30:1	1177	4.3	III	65
2.63	58	317	30:1	1355	5.4	III	70
1.75	44	384	40:1	438	1.5	II	50
2.00	44	394	40:1	1164	2.0	III	58
2.38	44	398	40:1	1177	3.3	III	65
2.63	44	408	40:1	1384	4.2	III	70
1.75	35	456	50:1	438	1.2	I	50
2.00	35	474	50:1	1164	1.6	II	58
2.38	35	480	50:1	1177	2.7	III	65
2.63	35	492	50:1	1419	3.5	III	70
3.00	35	510	50:1	2033	5.1	III	88
1.75	29	518	60:1	438	0.8	-	50
2.00	29	533	60:1	1164	1.2	I	58
2.38	29	540	60:1	1177	2.1	III	65
2.63	29	562	60:1	1457	2.7	III	70
3.00	29	290	60:1	2104	4.0	III	88
2.38	22	634	80:1	1177	1.1	I	65
2.63	22	672	80:1	1564	1.4	I	70
3.00	22	701	80:1	2179	2.1	III	88
2.38	17	708	100:1	1177	0.8	-	65
2.63	17	756	100:1	1573	1.0	I	70
3.00	17	804	100:1	2179	1.4	II	88

All dimensions are in inches.

See www.winsmith.com/gearmotor for more details.



CONTINUOUS DUTY MECHANICAL RATINGS

½ HP, 1750 RPM

CENTER DISTANCE	OUTPUT RPM	OUTPUT TORQUE (lbf-in)	RATIO	OHL (lbf)	SERVICE FACTOR	AGMA CLASS	APPROXIMATE WEIGHT (lbm)
1.75	233	127	7.5:1	438	4.1	III	53
1.75	175	169	10:1	438	3.2	III	53
2.00	175	171	10:1	1164	4.4	III	64
1.75	117	246	15:1	438	2.3	III	53
2.00	117	248	15:1	1164	3.1	III	64
1.75	88	320	20:1	438	1.8	II	53
2.00	88	324	20:1	1164	2.4	III	64
2.38	88	328	20:1	1177	4.2	III	71
1.75	70	392	25:1	438	1.4	II	53
2.00	70	369	25:1	1164	1.0	I	53
2.38	70	396	25:1	1177	3.2	III	71
2.63	70	405	25:1	1397	4.3	III	76
2.00	58	454	30:1	438	1.3	I	64
2.00	58	459	30:1	1164	1.7	II	64
2.38	58	470	30:1	1177	2.9	III	71
2.63	58	475	30:1	1355	3.6	III	76
1.75	44	576	40:1	438	1.0	I	53
2.00	44	590	40:1	1164	1.4	II	64
2.38	44	598	40:1	1177	2.2	III	71
2.63	44	612	40:1	1384	2.8	III	76
3.00	44	626	40:1	1986	4.1	III	94
2.00	35	711	50:1	1164	1.1	I	64
2.38	35	720	50:1	1177	1.8	II	71
2.63	35	738	50:1	1419	2.3	III	76
3.00	35	765	50:1	2033	3.4	III	94
2.00	29	799	60:1	1164	0.8	-	64
2.38	29	810	60:1	1177	1.4	II	71
2.63	29	842	60:1	1457	1.8	II	76
3.00	29	886	60:1	2.68	2.6	III	94
2.63	22	1008	80:1	1564	1.0	I	76
3.00	22	1051	80:1	2179	1.4	III	94

All dimensions are in inches.

CONTINUOUS DUTY MECHANICAL RATINGS

¾ HP, 1750 RPM

CENTER DISTANCE	OUTPUT RPM	OUTPUT TORQUE (lbf-in)	RATIO	OHL (lbf)	SERVICE FACTOR	AGMA CLASS	APPROXIMATE WEIGHT (lbm)
1.75	350	128	5:1	438	3.5	III	57
1.75	233	190	7.5:1	438	2.7	III	57
2.00	233	192	7.5:1	1164	3.7	III	65
1.75	175	254	10:1	438	2.1	III	57
2.00	175	257	10:1	1164	2.9	III	65
1.75	117	369	15:1	438	1.5	II	57
2.00	117	373	15:1	1164	2.1	III	65
2.38	117	377	15:1	1177	2.1	III	72
1.75	88	481	20:1	438	1.3	I	57
2.00	88	486	20:1	1164	1.6	II	65
2.38	88	491	20:1	1177	2.8	III	72
2.63	88	497	20:1	1381	3.5	III	77
1.75	70	587	25:1	438	0.9	-	57
2.00	70	594	25:1	1164	1.3	I	65
2.38	70	594	25:1	1177	2.1	III	72
2.63	70	608	25:1	1397	2.8	III	77
1.75	58	680	30:1	438	0.8	-	57
2.00	58	713	30:1	1164	1.1	I	65
2.38	58	705	30:1	1177	1.9	II	72
2.63	58	713	30:1	1355	2.4	III	77
3.00	58	729	30:1	1945	3.5	III	94
2.00	44	886	40:1	1164	0.9	-	65
2.38	44	896	40:1	1177	1.4	II	72
2.63	44	918	40:1	1384	1.8	II	77
3.00	44	940	40:1	1986	2.7	III	94
2.38	35	1080	50:1	1177	1.2	I	72
2.63	35	1107	50:1	1419	1.5	II	77
3.00	35	1148	50:1	2033	2.2	III	94
2.38	35	1215	60:1	1177	0.9	-	72
2.63	29	1264	60:1	1556	1.2	I	77
3.00	29	1328	60:1	2104	1.7	II	94
3.00	29	1577	80:1	2179	0.9	-	94

All dimensions are in inches.

See www.winsmith.com/gearmotor for more details.



CONTINUOUS DUTY MECHANICAL RATINGS

1 HP, 1750 RPM

CENTER DISTANCE	OUTPUT RPM	OUTPUT TORQUE (lbf-in)	RATIO	OHL (lbf)	SERVICE FACTOR	AGMA CLASS	APPROXIMATE WEIGHT (lbm)
1.75	350	171	5:1	438	2.6	III	63
2.00	350	173	5:1	1164	3.7	III	71
1.75	233	254	7.5:1	438	2.0	III	63
2.00	233	257	7.5:1	1164	2.8	III	71
1.75	175	338	10:1	438	1.6	II	63
2.00	175	342	10:1	1164	2.2	III	71
2.38	175	342	10:1	1177	3.6	III	78
1.75	117	491	15:1	438	1.2	I	63
2.00	117	497	15:1	1164	1.5	II	71
2.38	117	502	15:1	1177	2.7	III	78
2.63	117	502	15:1	1370	3.4	III	83
1.75	88	641	20:1	438	0.9	-	63
2.00	88	648	20:1	1164	1.2	I	71
2.38	88	655	20:1	1177	2.1	III	78
2.63	88	662	20:1	1381	2.6	III	83
3.00	88	670	20:1	1987	3.9	III	101
2.00	70	792	25:1	1164	1.0	I	71
2.38	70	792	25:1	1177	1.6	II	78
2.63	70	810	25:1	1397	2.1	III	83
3.00	70	828	25:1	2003	3.2	III	101
2.00	58	918	30:1	1164	0.8	-	71
2.38	58	940	30:1	1177	1.5	II	78
2.63	58	950	30:1	1355	1.8	II	83
3.00	58	972	30:1	1945	2.6	III	101
2.38	44	1195	40:1	1177	1.1	I	78
2.63	44	1224	40:1	1384	1.4	II	83
3.00	44	1253	40:1	1986	2.0	III	101
2.38	35	1440	50:1	1177	0.9	-	78
2.63	35	1476	50:1	1419	1.2	I	83
3.00	35	1530	50:1	2033	1.7	II	101
2.63	35	1685	60:1	1457	0.9	-	83
3.00	30	1771	60:1	2104	1.3	I	101

All dimensions are in inches.

CONTINUOUS DUTY MECHANICAL RATINGS

1 ½ HP, 1750 RPM

CENTER DISTANCE	OUTPUT RPM	OUTPUT TORQUE (lbf-in)	RATIO	OHL (lbf)	SERVICE FACTOR	AGMA CLASS	APPROXIMATE WEIGHT (lbm)
1.75	350	257	5:1	438	1.7	II	68
2.00	350	259	5:1	1164	2.4	III	76
2.38	350	259	5:1	1177	3.9	III	83
1.75	233	381	7.5:1	438	1.3	I	68
2.00	233	385	7.5:1	1164	1.8	II	76
2.38	233	385	7.5:1	1177	3.0	III	83
2.63	233	389	7.5:1	1257	3.9	III	88
1.75	175	508	10:1	438	1.1	I	68
2.00	175	513	10:1	1164	1.4	II	76
2.38	175	513	10:1	1177	2.4	III	83
2.63	175	513	10:1	1411	3.2	III	88
2.00	117	745	15:1	1164	1.1	I	76
2.38	117	753	15:1	1177	1.8	II	83
2.63	117	753	15:1	1370	2.2	III	88
3.00	117	761	15:1	1832	3.3	III	106
2.00	88	972	20:1	1164	0.8	-	76
2.38	88	983	20:1	1177	1.4	II	83
2.63	88	994	20:1	1381	1.7	II	88
3.00	88	1004	20:1	1987	2.6	III	106
2.38	70	1188	25:1	1177	1.1	I	83
2.63	70	1215	25:1	1397	1.4	II	88
3.00	70	1242	25:1	2003	2.1	III	106
2.38	58	1409	30:1	1177	0.9	-	83
2.63	58	1426	30:1	1355	1.2	I	88
3.00	58	1458	30:1	1945	1.7	II	106
2.63	44	1836	40:1	1384	0.9	-	88
3.00	44	1879	40:1	1986	1.3	I	106
3.00	35	2295	50:1	2033	1.1	I	106
3.00	29	2657	60:1	2104	0.8	-	106

All dimensions are in inches.

See www.winsmith.com/gearmotor for more details.



CONTINUOUS DUTY MECHANICAL RATINGS

2 HP, 1750 RPM

CENTER DISTANCE	OUTPUT RPM	OUTPUT TORQUE (lbf-in)	RATIO	OHL (lbf)	SERVICE FACTOR	AGMA CLASS	APPROXIMATE WEIGHT (lbm)
1.75	350	342	5:1	438	1.3	I	72
2.00	350	346	5:1	1164	1.8	II	80
2.38	350	346	5:1	1177	2.9	III	87
2.63	350	346	5:1	1247	3.8	III	92
1.75	233	508	7.5:1	438	1.0	I	72
2.00	233	513	7.5:1	1164	1.4	II	80
2.38	233	513	7.5:1	1177	2.2	III	87
2.63	233	518	7.5:1	1257	2.9	III	92
3.00	233	518	7.5:1	1454	4.3	III	110
1.75	175	677	10:1	438	0.8	-	72
2.00	175	684	10:1	1164	1.1	I	80
2.38	175	684	10:1	1177	1.8	II	87
2.63	175	684	10:1	1411	2.4	III	92
3.00	175	691	10:1	1632	3.5	III	110
2.00	117	994	15:1	1164	0.8	-	80
2.38	117	1004	15:1	1177	1.4	II	87
2.63	117	1004	15:1	1370	1.7	II	92
3.00	117	1015	15:1	1832	2.5	III	110
2.38	88	1310	20:1	1177	1.1	I	87
2.63	88	1325	20:1	1381	1.3	I	92
3.00	88	1339	20:1	1987	1.9	II	110
2.38	70	1584	25:1	1177	0.8	-	87
2.63	70	1620	25:1	1397	1.0	I	92
3.00	70	1656	25:1	2003	1.6	II	110
2.63	58	1901	30:1	1355	0.9	-	110
3.00	58	1944	30:1	1945	1.3	I	110
3.00	44	2506	40:1	1986	1.0	I	110
3.00	35	3060	50:1	2033	0.8	-	110

3 HP, 1750 RPM

CENTER DISTANCE	OUTPUT RPM	OUTPUT TORQUE (lbf-in)	RATIO	OHL (lbf)	SERVICE FACTOR	AGMA CLASS	APPROXIMATE WEIGHT (lbm)
1.75	352	513	5:1	438	0.9	-	88
2.00	352	518	5:1	1164	1.2	I	96
2.38	352	518	5:1	1177	1.9	II	103
2.63	352	514	5:1	1247	2.6	III	108
3.00	352	514	5:1	1335	3.6	III	126
2.00	235	770	7.5:1	1164	0.9	-	96
2.38	235	770	7.5:1	1177	1.5	II	103
2.63	235	770	7.5:1	1257	2.0	III	108
3.00	235	770	7.5:1	1454	2.9	III	126
2.38	176	1026	10:1	1177	1.2	I	103
2.63	176	1017	10:1	1411	1.6	II	108
3.00	176	1027	10:1	1632	2.4	III	126
2.38	117	1507	15:1	1177	0.9	-	103
2.63	117	1493	15:1	1370	1.1	I	108
3.00	117	1509	15:1	1832	1.7	II	126
2.63	88	1987	20:1	1381	0.8	-	108
3.00	88	1990	20:1	1987	1.3	I	126
3.00	70	2461	25:1	2003	1.1	I	126

All dimensions are in inches.

Contact Winsmith Sales at 716-592-9310 or service@winsmith.com.

Peerless-Winsmith, Inc. is not responsible for possible errors in catalogues, brochures, websites and other materials, and may change such information without notice. Peerless-Winsmith, Inc. reserves the right to modify its products without notice, including products already on order, as long as the modified product meets any agreed-upon specifications.

See www.winsmith.com/gearmotor for more details.

