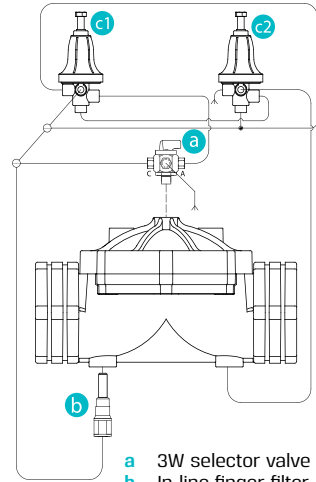


G500 Series

G500-PRPS | Pressure reducing & sustaining control valve 1-1/2" - 4"



- a 3W selector valve
- b In-line finger filter
- c1 Plastic Pressure Sustaining Pilot
- c2 Plastic Pressure Reducing Pilot

Description

G500-PRPS model pressure reducing/sustaining hydraulic control valve reduces valve downstream pressure to desired value by sustaining upstream pressure. Two pilot valves exist on the valve. Pilot valve on upstream side is the pressure sustaining pilot valve and sustains upstream pressure. The other pilot valve is pressure reducing pilot valve and keeps downstream pressure constant by reducing it to desired value. Reducing/sustaining control valve pumps fluid downwards; it ensures that the system works within normal values by regulating overflow and high pressure in pumping systems. It controls upstream and downstream pressure continuously and keeps them within constant values.

Applications

- Use G500-PRPS for protecting booster pumps and preserving set pressure downstream

Standards

- G500-PRPS : 3 Way plastic pressure reducing pilot, 3 Way plastic pressure sustaining valve, polyethylene plastic tubing system, nylon fittings and 3 Way selector

How to Order

G500-PRPS	-	PORT	PRESSURE RANGE
		1-1/2" BSPT 70	0.5-5 bar Y
		1-1/2" NPT 71	1-10 bar G
		2" BSPT 80	
		2" NPT 81	
		2-1/2" BSPT 85	
		2-1/2" NPT 86	
		3" BSPT 90	
		3" NPT 91	
		4" BSPT 100	
		4" NPT 101	
		4" Flange 100F	

Example : G500-PRPS-80G

G500 pressure reducing & sustaining 2" BSPT, 1-10 bar



* To order valves manufactured according to your specific requirements, please contact our technical sales department