

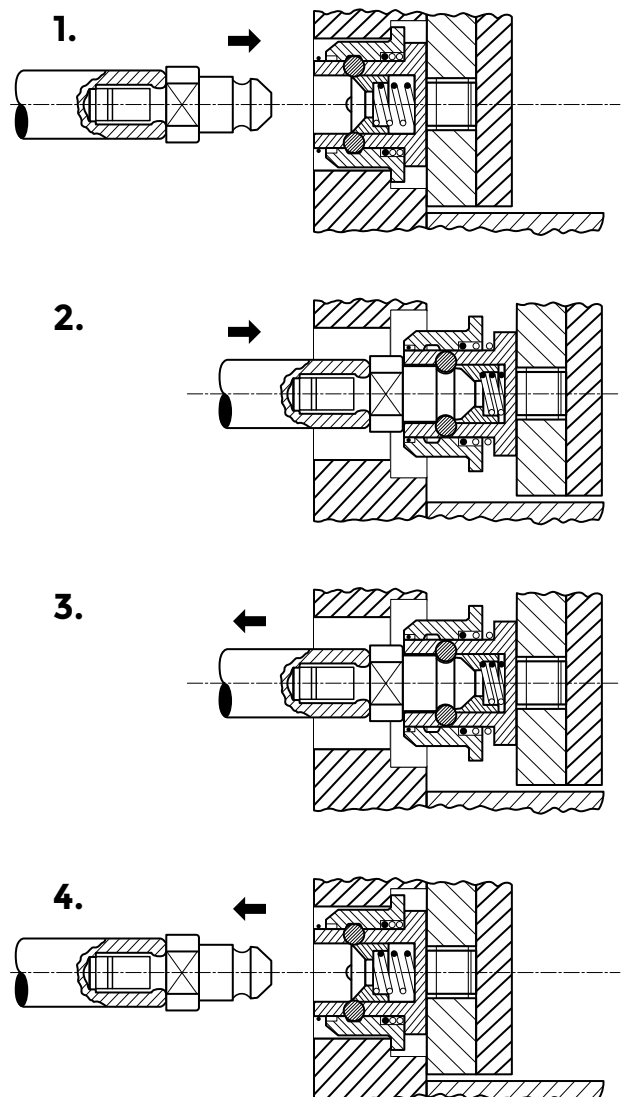


Couplers For Hydraulic or Mechanical Ejection

Uses and Advantages:

- Quick and easy installation.
- Return of ejector plate is assured.
- Part ejection is assured.
- Coupling is obtained in any position, disconnecting is made only after the ejector plate is fully returned.
- Fast acting, up to 30 strokes per minute.
- Can be used on all injection machines equipped with hydraulic or mechanical ejection.
- Set-up time is greatly reduced.
- Reduced noise on machines with mechanical knockouts.
- Especially suited for injection machines that do not have easy access to the ejector plate.
- Allows for center ejection to be tied in.

Sequence of Operation:



ALBA COUPLERS

300 SERIES



ITEM NO	DESCRIPTION
PM100	301 Barb (1/2-13)
PM120	302 Coupler (1/2-13)
PM110	301 Barb (M12 X 1.75)
PM130	302 Coupler (M12 X 1.75)
PM140	302 Coupler (5/8-11)
PM145	302 Coupler (1/2-20)

400 SERIES



ITEM NO	DESCRIPTION
PM150	401 Barb (5/8-11)
PM170	402 Coupler (7/8-9)
PM160	401 Barb (M16 X 2)
PM180	402 Coupler (3/4-10)
PM190	402 Coupler (M16 X 2)
PM200	402 Coupler (M20 X 1.5)
PM210	402 Coupler (M20 X 2.5)
PM380	402 Coupler (5/8-11)

500 SERIES



ITEM NO	DESCRIPTION
PM250	501 Barb (5/8-11)
PM280	502 Coupler (7/8-9)
PM255	501 Barb (3/4-10)
PM260	501 Barb (M16 X 2.0)
PM270	501 Barb (M20 X 2.5)
PM285	502 Coupler (3/4-10)
PM290	502 Coupler (M16 X 2.0)
PM300	502 Coupler (M20 X 1.5)
PM310	502 Coupler (M20 X 2.5)

600 SERIES



ITEM NO	DESCRIPTION
PM410	601 Barb (1 1/4-7)
PM411	602 Coupler (1 1/2-12)

700 SERIES



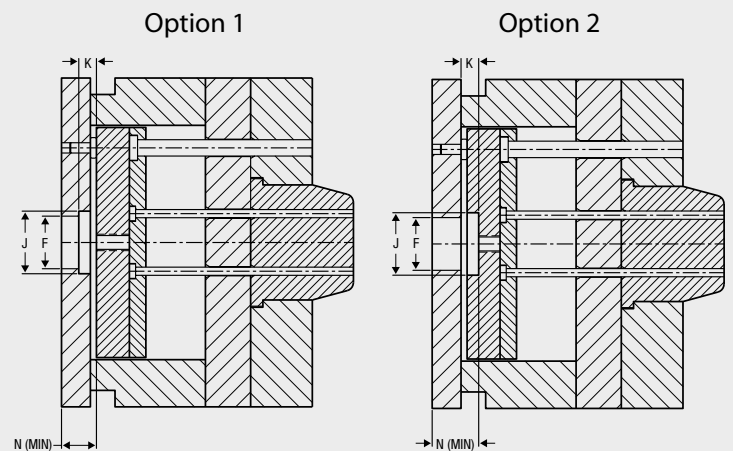
ITEM NO	DESCRIPTION
PM420	701 Barb (1 1/4-7)
PM421	702 Coupler (1 1/2-12)

Ideal for use with: Quick Mold Change Systems and Two-stage Ejection

Designed to provide a quick method of attaching the ejector plate in your mold to the ejector system in your molding machine. Provides positive ejector plate return while greatly reducing set-up time. Perfectly suited for those molding machines where the ejector plate on the machine is difficult to reach. Ideal when center ejection is desired, but impossible to "tie-in". Works with either hydraulic or mechanical ejection.

Installation Measurements

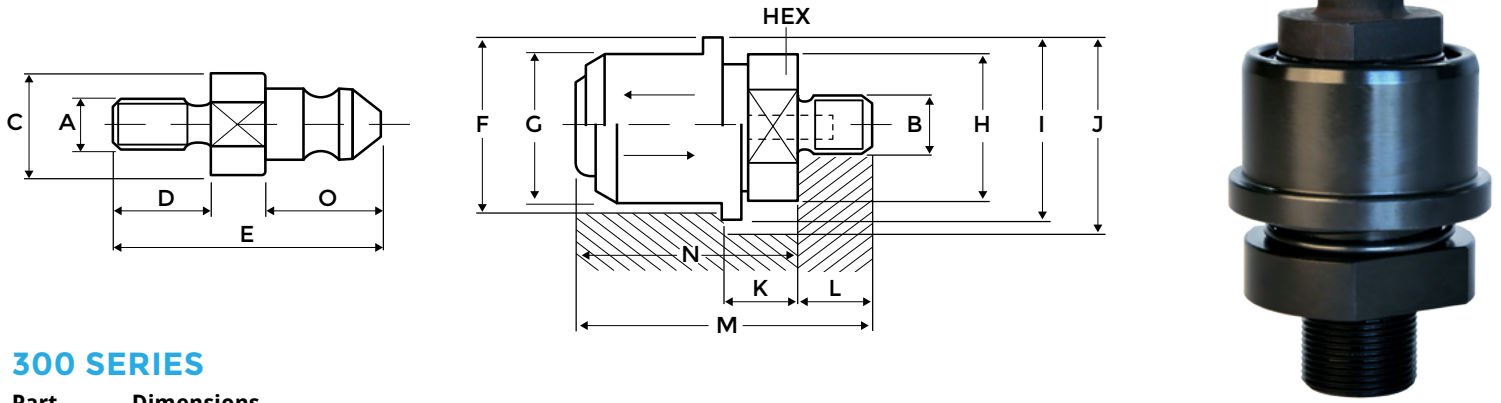
*K Dim. Tolerance ±.001 (0.02 mm.)



Part Number	Dimensions Style	Dimensions				
		F	J	K*	N	
300 SERIES						
302	Coupler	in. mm.	1.338 34	1.693 43	.370* 9.4	1.085 27.6
400 SERIES						
402	Coupler	in. mm.	1.575 40	1.990 50.55	.545* 13.84	1.447 36.8
500 SERIES						
502	Coupler	in. mm.	2.284 58	2.756 70	.715* 18.16	1.969 50
600 SERIES						
602	Coupler	in. mm.	2.598 66	3.110 79	.906* 23.01	2.503 63.6
700 SERIES						
702	Coupler	in. mm.	3.070 78	3.425 87	1.200* 30.48	3.112 79.05

*K Dim. check at assembly

Dimensions



300 SERIES

Part		Dimensions															
Number	Style		A	B	C	D	E	F	G	H	I	J	K*	L	M	N	O
301	Barb	in.	1/2-13	-	.900	.790	1.835	-	-	-	-	-	-	-	-	-	.62
		mm.	12.7-13	-	22.86	20.06	46.6	-	-	-	-	-	-	-	-	-	15.75
302	Coupler	in.	-	1/2-13	-	-	-	1.338	1.260	1.260	1.575	1.693	.370*	.590	1.675	1.085	-
		mm.	-	12.7-13	-	-	-	34	32	32	40	43	9.4	15	42.55	27.56	-

Note: **300 Series** Couplers for use on machines up to 75 tons. Uses 6 mm Allen wrench to tighten. Pull Force 3,200 lbs.

400 SERIES

Part		Dimensions															
Number	Style		A	B	C	D	E	F	G	H	I	J	K*	L	M	N	O
401	Barb	in.	5/8-11	-	1.024	.787	2.165	-	-	-	-	-	-	-	-	-	.88
		mm.	15.9-11	-	26	20	55	-	-	-	-	-	-	-	-	-	22.35
402	Coupler	in.	-	7/8-9	-	-	-	1.575	1.496	1.500	1.890	1.990	.545*	.600	2.047	1.465	-
		mm.	-	22.2-9	-	-	-	40	38	38.1	48	50.6	13.85	15.24	52	37.2	-

Note: **400 Series** Couplers for use on machines up to 750 tons. Uses 8 mm Allen wrench to tighten. Pull Force 5,280 lbs.

500 SERIES

Part		Dimensions															
Number	Style		A	B	C	D	E	F	G	H	I	J	K*	L	M	N	O
501	Barb	in.	5/8-11	-	1.378	.984	2.677	-	-	-	-	-	-	-	-	-	1.04
		mm.	15.9-11	-	44.14	25	68	-	-	-	-	-	-	-	-	-	26.4
502	Coupler	in.	-	7/8-9	-	-	-	2.284	2.205	2.047	2.560	2.756	.715*	.709	2.678	1.970	-
		mm.	-	22.2-9	-	-	-	58	56	52	65	70	18.16	18	68.02	50	-

Note: **500 Series** Couplers for use on machines over 750 tons. Uses 8 mm Allen wrench to tighten. Pull Force 7,040 lbs.

600 SERIES

Part		Dimensions															
Number	Style		A	B	C	D	E	F	G	H	I	J	K*	L	M	N	O
601	Barb	in.	1 1/4-7	-	1.693	1.181	3.248	-	-	-	-	-	-	-	-	-	1.358
		mm.	31.8-7	-	43	30	82.5	-	-	-	-	-	-	-	-	-	34.5
602	Coupler	in.	-	1 1/2-12	-	-	-	2.598	2.520	2.362	2.913	3.110	.906*	.905	3.405	2.503	-
		mm.	-	38.1-12	-	-	-	66	64	60	74	79	23.01	23	86.5	63.6	-

Note: Pull Force 22,000 lbs.

700 SERIES

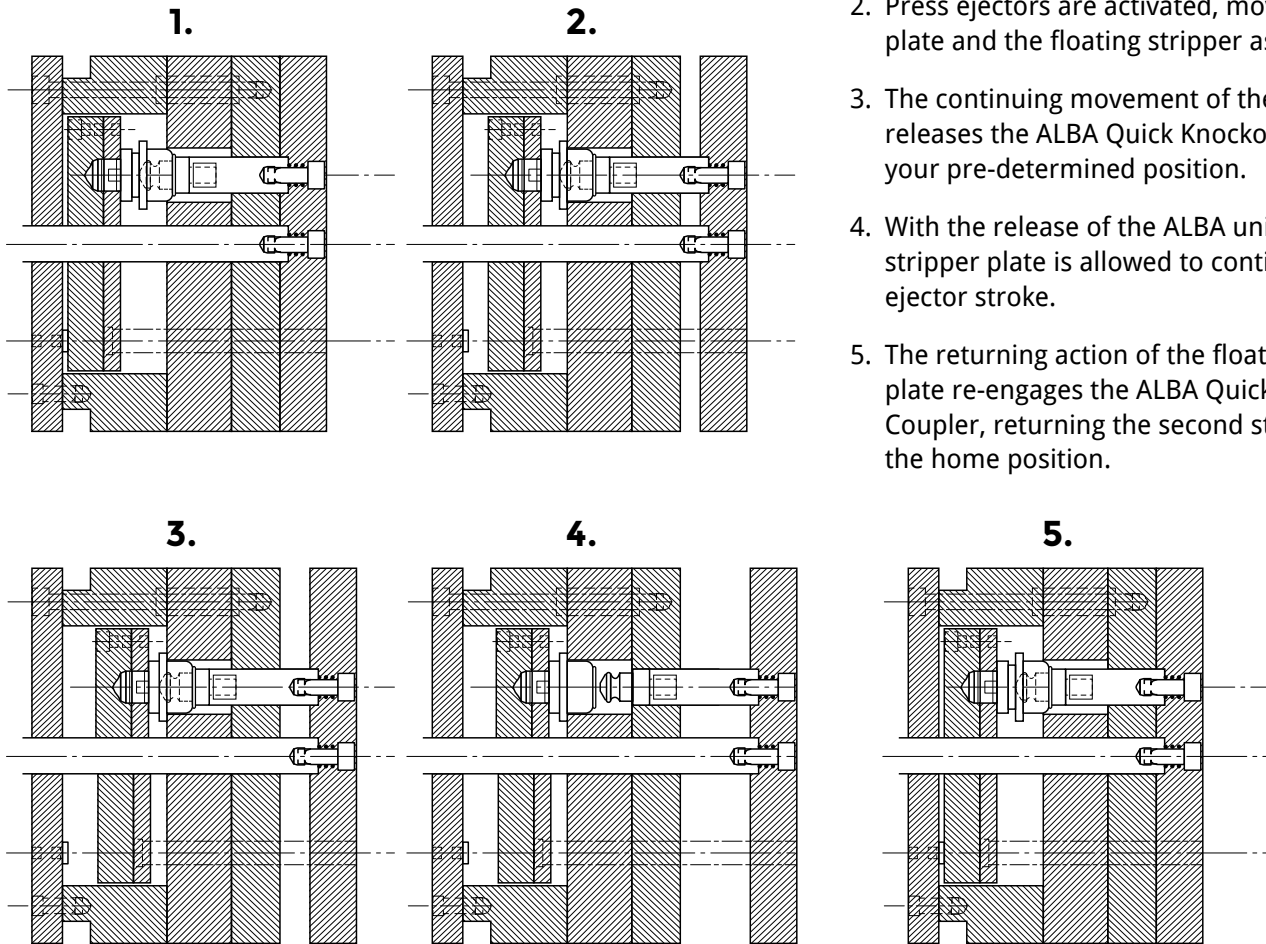
Part		Dimensions															
Number	Style		A	B	C	D	E	F	G	H	I	J	K*	L	M	N	O
701	Barb	in.	1 1/4-7	-	2.087	1.181	3.425	-	-	-	-	-	-	-	-	-	1.770
		mm.	31.8-7	-	53	30	87	-	-	-	-	-	-	-	-	-	44.95
702	Coupler	in.	-	1 1/2-12	-	-	-	3.070	2.992	2.952	3.346	3.425	1.200*	1.181	4.293	3.112	-
		mm.	-	38.1-12	-	-	-	78	76	75	85	87	30.48	30	109.05	79.05	-

Note: Pull Force 88,000 lbs.

*K Dim. check at assembly

2 Stage Ejection Using the ALBA Quick Knockout Coupler

Sequence of Operation:



1. Home Position. (Before part ejection)
2. Press ejectors are activated, moving the pin plate and the floating stripper as one.
3. The continuing movement of the press ejectors releases the ALBA Quick Knockout Couplers at your pre-determined position.
4. With the release of the ALBA unit, the floating stripper plate is allowed to continue with the ejector stroke.
5. The returning action of the floating stripper plate re-engages the ALBA Quick Knockout Coupler, returning the second stage plate to the home position.