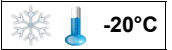


EVA50 (EVP)

zone 1

zone 2

Ex db IIC Gb II2GD



zone 21

zone 22

Ex tb IIIC Db II2GD



PORTABLE LAMP

T6

T5

T4

IP66



LAMPADA PORTATILE

T 85°C

T 100°C

T 135°C



Caratteristiche: Le lampade portatili EVA50 (EVP) sono adatte per lampade fluorescenti, lampade alogene e lampade led, certificata INERIS, bassi consumi e durata illimitata. Guarnizione O-RING in neoprene per protezione meccanica IP66.

Features: Portable lamp type EVA50 (EVP) are suitable for fluorescent lamp, halogen lamp, led lamp, INERIS certificate, low consumption and high performance. Neoprene O-RING gasket for waterproof protection IP66.

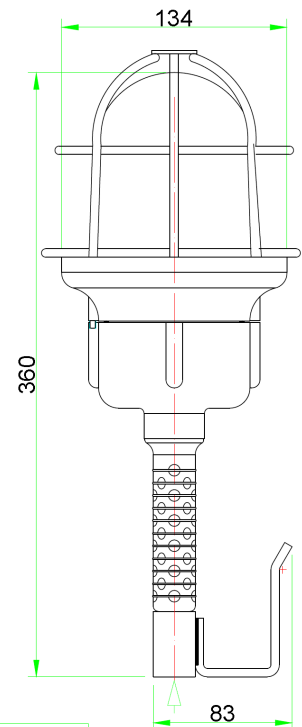
Materiali: Corpo e coperchio in lega leggera, viteria in acciaio inox, globo trasparente in vetro termoresistente e resistente agli urti, gabbia in acciaio inox.

Materials: Aluminium body and cover, stainless steel hardware, transparent globe resistant and impact resistant glass, stainless steel guard.



Peso: 2kg
Portalampada: E27 ceramica
Collegamento: Morsetti sul portalampada

Weight: 2kg
Lamp holder: E27 ceramic
Connection: terminal on lampolder






Entry for Cable Gland 1/2" on request 3/4"

Nota: usare presscavi come da norma 60079-14 par. 10.6.2 (selezione del pressacavi)

Note: use cable gland as per rules 60079-14 par. 10.6.2 (Selection of cable gland)

Alimentazioni:
Voltage:
230V
Other voltage on request

SERIE SERIES	DIMENSIONI mm DIMENSIONS mm	
EVA50 (EVP)	360	134

SERIE SERIES CODICE ORDINE CODE ORDER	FLU.. FLUORESCENTI FLUORESCENT	AL.. ALOGENE HALOGEN	LED.. LED
EVA50 (EVP)	 MAX 18W	 MAX 105W	 MAX 20W

ESEMPIO ORDINE EXAMPLE ORDER

CODICE CODE	LAMPADA FORNITA LAMP PROVIDED
EVA50 (EVP)-FLU-18	EVA50 (EVP) FLUORESCENTE 18W
EVA50 (EVP)-FLU-18	EVA50 (EVP) FLUORESCENT 18W
EVA50 (EVP)-AL-70	EVA50 (EVP) ALOGENA 70W
EVA50 (EVP)-AL-70	EVA50 (EVP) HALOGEN 70W

