

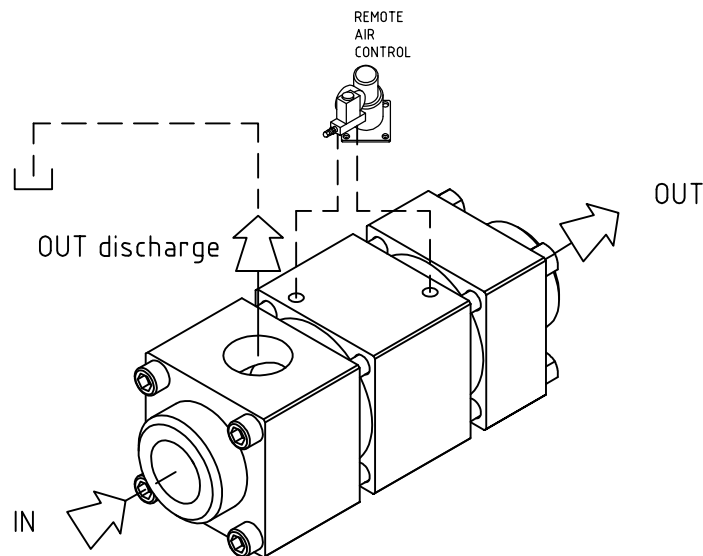
EV3 - 3 way valve with pressure control

For hydraulic oils, lubricating oils, fuel oils and cooling lubricants emulsions.



Control is with pneumatic circuit :

- ON / OFF function changes from free discharge to regulated pressure.
- Max pressure is controlled setting the pneumatic pressure.
- Pneumatic control-setting group can be mounted also remote from valve (suggested max 1 m tube).



Functional characteristics standard version

MODEL	EV3- 3/4"	EV3- 1"1/4	EV3- 2"	EV3- 3"
Oil flow (3-20 cSt) **	120 l/min	250 l/min	700 l/min	1500 l/min
Emulsion flow **	170 l/min	350 l/min	1000 l/min	2000 l/min
Pressure setting	from 15 to 100 bar	from 15 to 100 bar	from 10 to 40 bar	form 5 to 30 bar
Ratio regulated pressure / air pressure	15/1 (6.6 bar air = 100 bar regulation)	15/1 (6.6 bar air = 100 bar regulation)	7/1 (5 bar air = 35 bar regulation)	7/1 (4 bar air = 28 bar regulation)
Electrovalve specs	24 V DC (o 48 V AC), duty 100%, normally open (no supply = discharge), power 2 W DC, IP 65, actuator port G1/8".			
Fluid temperature	0 – 60 °C			
Ambient temperature	0 – 50 °C			
Weight	4 kg	9 kg	20 kg	50 kg

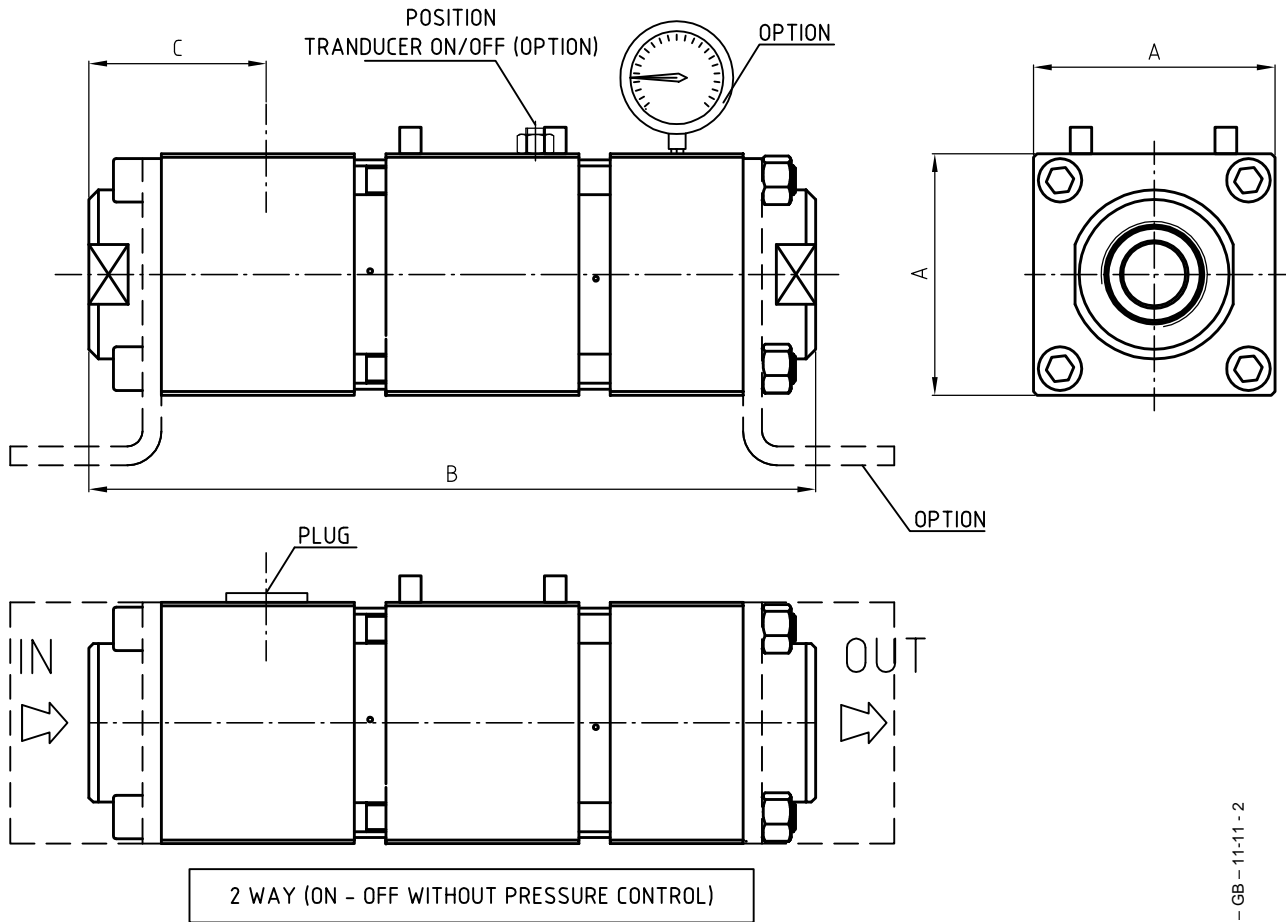
Emulsion oil min 5%

** ΔP IN-OUT 1-1,5 bar

For different functional characteristics, please contact our sales department

EV3 - 3 way valve with pressure control

For hydraulic oils, lubricating oils, fuel oils and cooling lubricants emulsions



SD - STE - EV3 - GB - 11-11 - 2

Dimensional chart (mm)

MODELLO	A	B	IN GAS	OUT DISCHARGE GAS	OUT GAS	C
EV3#3/4	80	210	3/4"	3/4"	3/4"	48
EV3#1 1/4	100	310	1 1/4"	1 1/4"	1 1/4"	75
EV3#2	130	390	2"	2"	2"	100
EV3#3	180	540	3"	3"	3"	135

SEIM srl
Via A. Volta 17
20090 Cusago (MI) ITALY
Tel. (+39) 02.90.39.21.1
Fax (+39) 02.90.39.21.41
e-mail: seim@seim.it

www.seim.it

SEIM reserves the right to introduce dimensional changes or variation to the products of this technical data