

Heat exchanger - NEG series

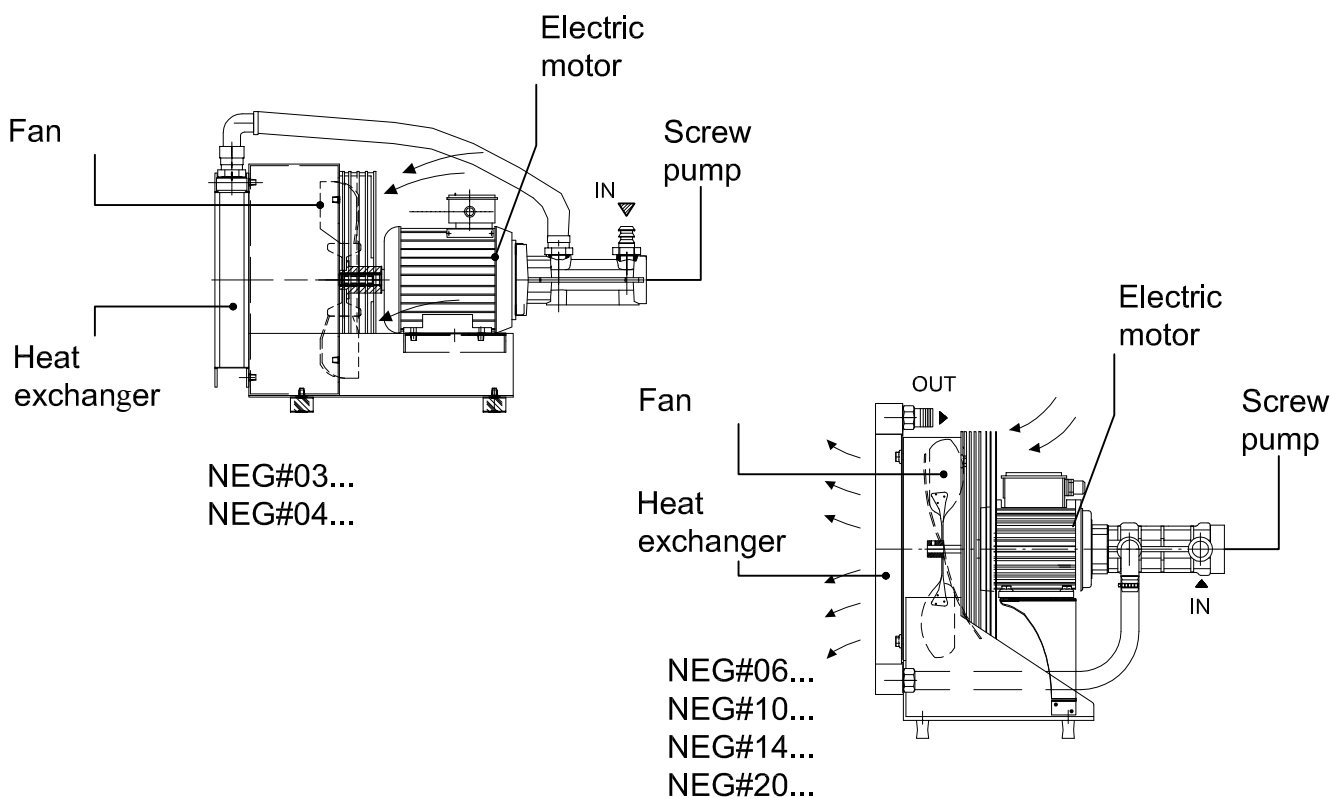
For hydraulic oils, lubrication oils

Option valve: (standard valve setting) = 4 bar

Main field of application:

Cooling system for hydraulic power packs

Section and components



Functional characteristics standard version

Delivery flow	25 to 100 l/min (6,6 to 26,4 USGPM)	
Fan flow	600 to 2500 m ³ /h (da 353 a 1471 CFM)	
Admissible delivery pressure*	up to 6 bar (58 psi)	
Admissible oil temperature	20 to 90 °C (68 to 174 °F) For different values contact SEIM	
Driving speed	2700 to 3200 rpm NEG03 1450 to 1750 rpm NEG04, NEG06, NEG10, NEG14 & NEG20	
Average noise level	67 - 71 dB(A) at 2900 rpm according to fan	
Recommended filtration	ISO4406 19 / 16 - NAS 10	
Available voltage	50 Hz 400 - 230 - 440 three-phase 230 mono-phase	
	60 Hz 380 - 220 - 480 - 575 - 460 - 440 three-phase 220 mono-phase	

* Reduced pressure limits apply due to fluid viscosity and driving speed.

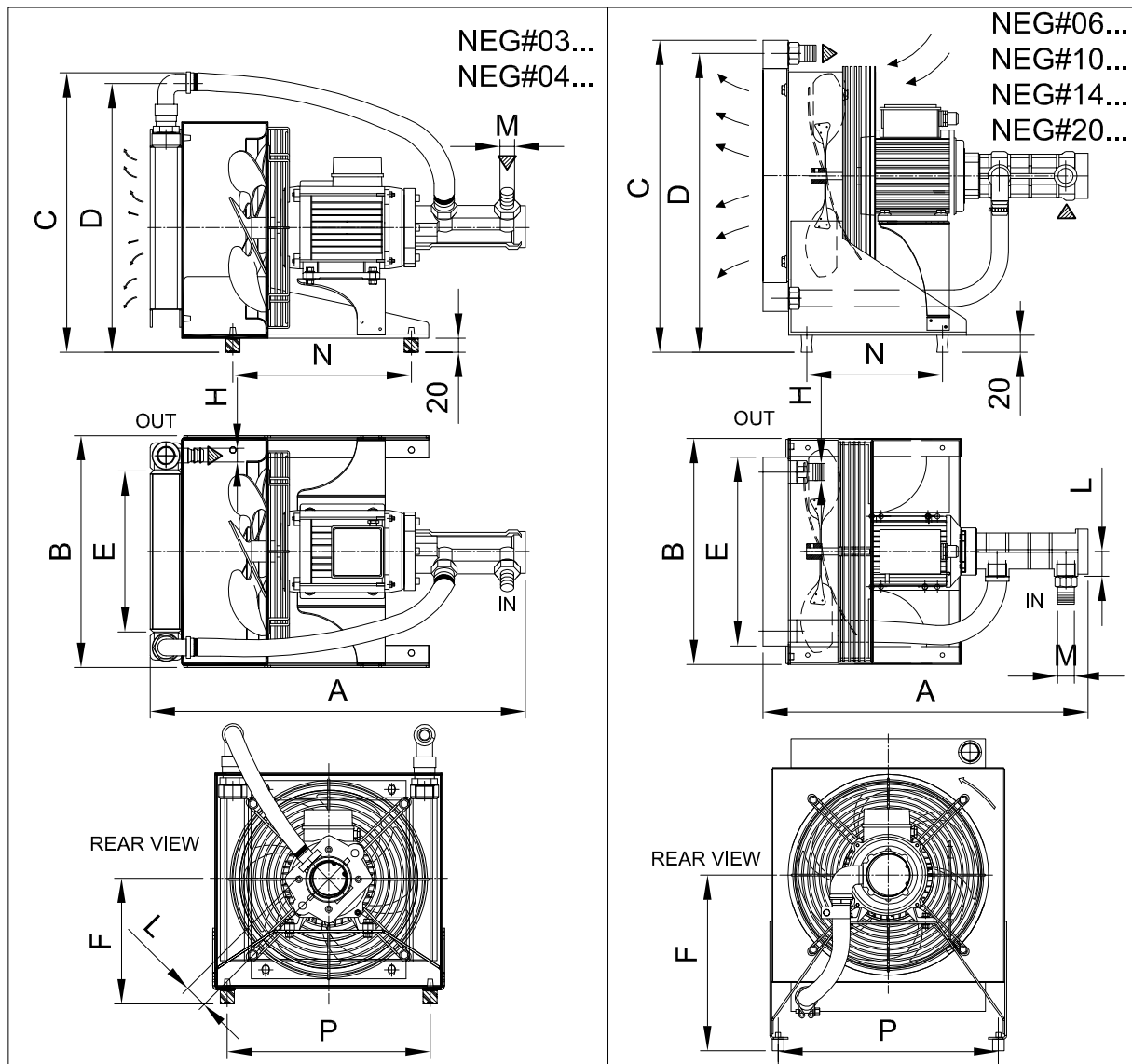
Consult the performance charts for the individual pump side.

For different functional characteristics, please contact our sales department

Heat exchanger - NEG series

For hydraulic oils, lubricating oils
 Option valve: (standard valve setting) = 4 bar

Option: motor protection board (supplied loose, mm 190 x 180 x 80),
 piping, elastic mounts, thermostate switch



NEG - EN - 05-05 -11

Dimensional chart (mm) and standard performances

SIZE	Kcal/h ΔT 35°C at 20°C ambient	A	B	C	D	E	F	H	L	M	N	P
NEG#03...	3000	500	317	360	342	184	170	3/4"	33	3/4"	200	240
NEG#04...	3300	536	331	400	385	230	200	3/4"	33	3/4"	255	290
NEG#06...	6000	578	410	536	513	335	303	1" GAS	44	1" GAS	240	380
NEG#10...	9000	578	410	536	513	335	303	1" GAS	44	1" GAS	240	380
NEG#14...	14000	637	536	695	675	457	340	1" GAS	44	1 1/4" GAS	273	479
NEG#20...	16500	637	536	695	675	457	340	1" GAS	44	1 1/4" GAS	273	479

SEIM srl
 Via A. Volta 17
 20090 Cusago (MI) ITALY
 Tel. (+39) 02.90.39.21.1
 Fax. (+39) 02.90.39.21.41
 e-mail: seim@seim.it

www.seim.it