

Fully customisable TB38 Series Trackerball

UP TO IP65 SEAL RATING	COLOURED OR STAINLESS STEEL	38MM (1.5") TRACKERBALL	WIDE RANGE TEMPERATURE
MECHANICAL KEY OPERATION	60,000 HOURS MTBF	WIDE CHOICE OF INTERFACES	FULLY CUSTOMISABLE

Overview

The TB38 rugged trackball has an IP65/NEMA 4 sealing which means that it is dust tight and protected against water sprays. By replacing a standardised mouse control, the TB38 Rugged Industrial Trackerball offers a better precision cursor control and durability. Its ruggedised features and variants make this industrial pointing device usable in all operational systems. See all of the specifications below, and if something isn't listed that you may require, contact us and let us know as we may already have the solution you need!



General Specifications

MECHANICAL	
Ball Material	Phenolic Resin
Ball Colour	Black
Ball Size	38mm (1.5")
Resolution	170 pulses/ball revolution
Tracking Force	<20gms (nominal)
Ball Revolutions	>6 million
Mounting	Fixing holes to allow mounting at any angle to horizontal
Dimensions (mm)	See Dimensions on Page 2
Weight (g)	0.25Kg (Uncased)
Keys	Sealed mechanical
Key Travel	0.4mm
Life Expectancy	>1 million switch cycles
Operating Force	160gf ± 50gf
ELECTRICAL AND ELECTRONIC	
Supply Voltage	5V DC ± 5%
Supply Current	<12mA (PS2 / RS232) / <20mA (USB / PS2)
Interface	USB / PS2 / AT / RS232 / RS422 / RS485 / XT / TTL / DEC / SUN

ENVIRONMENTAL

Operating Temperature	-20°C to +60°C
Storage Temperature	-40°C to +85°C
Relative Humidity	95% non-condensing
IP Seal Level	IP65
Vibration	5G, 5-2KHz any plane

CUSTOMISATION

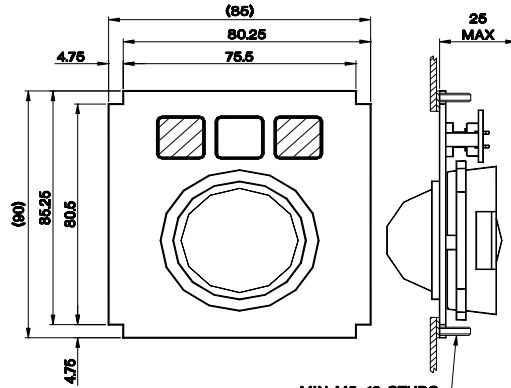
Trackerball: Various colours and stainless steel

WARRANTY

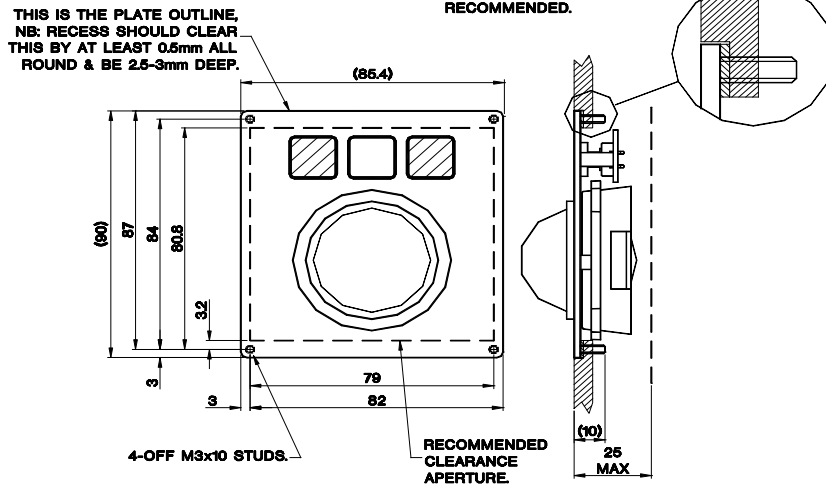
Warranty Period: 3 Years standard return to base. Extendable to 5 Years if required

Dimensions

REAR MOUNT



FRONT MOUNT



BEZEL MOUNT

