

Wafergard® SL 1.125" W-Seal Gas Filter

SurfaceLine™ filters provide the industry's smallest surface-mount design

Wafergard® SL 1.125" W-seal gas filters provide the industry's best filter in a surface-mount design. Surface-mount gas filters were designed to reduce the space on gas panels for standard in-line designs, while reducing the investment and increasing variations. Available in SF Mini, SF Mini Plus, and SF Mini XL filter formats. The SF Mini Plus filter has a compact, space-saving design with high flow rate characteristics equivalent to the SF Mini XL filter, making them ideal for use with both process and purge gases.



Space-saving design is ideal for use on gas panels.

APPLICATIONS

The compact, space-saving design with high flow rate characteristics makes the Wafergard SL gas filter ideal for use with both process and purge gases in the following applications:

- Ultrapure gas lines
- High temperature applications
- Dynamic-pressure applications
- Gas panels

FEATURES & BENEFITS

All 316L stainless steel construction	Provides excellent chemical compatibility with most semiconductor process gases*
Special cleaning technology and high temperature baking	Achieve superior initial cleanliness and enable rapid gas delivery start-up
High flow rate and low pressure drp characteristics	Suitable for use with low vapor pressure gases
High particle removal efficiency	Helps improve yield

*Not compatible with O₃

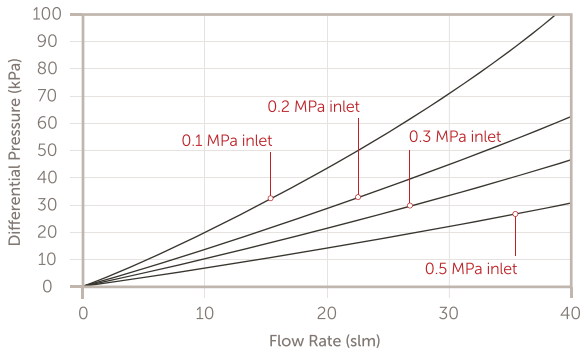
SPECIFICATIONS

Materials	Membrane	316L stainless steel
	Housing, end cap	Low sulfur 316L stainless steel
Internal surface finish	$\leq 7 \mu\text{in Ra}$ ($\text{Ra} \leq 0.17 \mu\text{m}$)	
Particle retention	Greater than 99.9999% removal $\geq 0.0015 \mu\text{m}$ (SF Mini @ 30 slm**, SF Mini Plus @ 50 slm, SF Mini XL @ 60 slm)	
Initial downstream cleanliness	≤ 0.03 particles/Liter, $\geq 0.01 \mu\text{m}$	
Connection	1.125" W-seal surface mount	
Operating conditions	Design pressure	0.99 MPa @ 20°C (68°F)
	Maximum differential pressure	0.99 MPa @ 20°C (68°F)
	Maximum design temperature	120°C (258°F) - inert gases
Helium leak rating	Qualified	$2 \times 10^{-11} \text{ Pa}\cdot\text{m}^3/\text{sec}$
	Tested	$1 \times 10^{-10} \text{ Pa}\cdot\text{m}^3/\text{sec}$

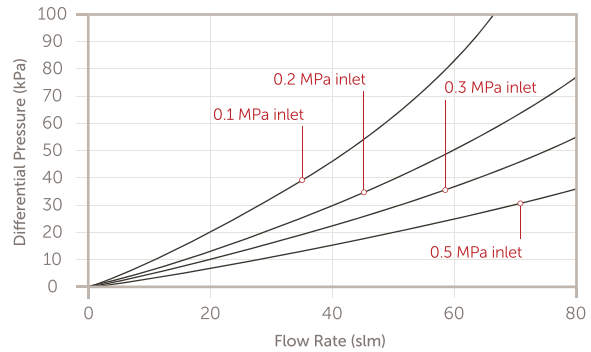
**20°C 101 kPa

PERFORMANCE DATA

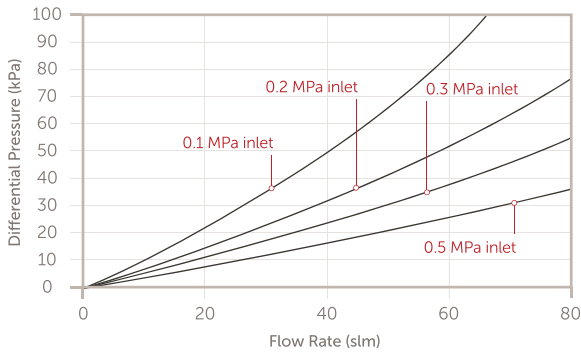
SF Mini Filter



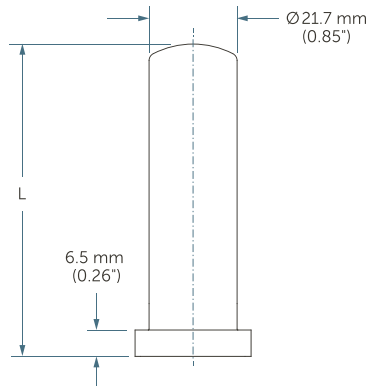
SF Mini XL Filter



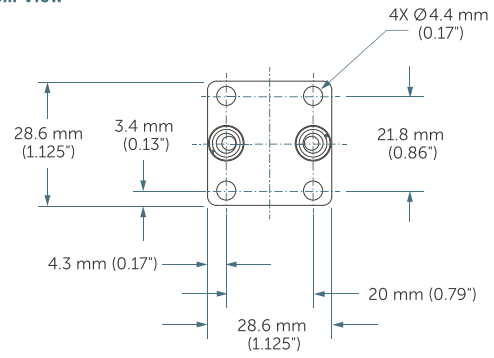
SF Mini Plus Filter



DIMENSIONS



Bottom View



ORDERING INFORMATION

PART NUMBER	FILTER TYPE
WGSLSF1H	SF Mini XL
WGSLSF1M	SF Mini
WGSLSHW1MP-T	SF Mini Plus

FOR MORE INFORMATION

Please call your Regional Customer Service Center today to learn what Entegris can do for you. Visit entegris.com and select the [Contact Us](#) link to find the customer service center nearest you.

TERMS AND CONDITIONS OF SALE

All purchases are subject to Entegris' Terms and Conditions of Sale. To view and print this information, visit entegris.com and select the [Terms & Conditions](#) link in the footer.



Corporate Headquarters
129 Concord
Billerica, MA 01821
USA

Customer Service
Tel +1 952 556 4181
Fax +1 952 556 8022
Toll Free 800 394 4083

Entegris®, the Entegris Rings Design®, and other product names are trademarks of Entegris, Inc. as listed on entegris.com/trademarks. All third-party product names, logos, and company names are trademarks or registered trademarks of their respective owners. Use of them does not imply any affiliation, sponsorship, or endorsement by the trademark owner.