

200 mm Reticle SMIF Pod

Proven 150 mm reticle protection with state-of-the-art features

The 200 mm reticle SMIF pod (RSP) provides mask shops and reticle users with a standard mechanical interface (SMIF) to the safe handling, storage, and transport of 150 mm reticles with or without pellicles. The pod is based on provisional SEMI standards and features 200 mm SMIF interface. The RSP provides masks and reticles protection from electrostatic buildup, and the UV blocking material protects photosensitive materials used in photolithography. The door purge interface uses inert gas, which minimizes contamination. In addition, the RSP has info pads that reduces the opportunity for misalignment, protecting users from improper placement on incorrect process equipment. Optional stacking features are available.



Protects masks and reticles from electrostatic buildup and ultraviolet light

APPLICATIONS

- Mask production
- Reticle handling and storage
- Lithography process

FEATURES & BENEFITS

Door purge interface using inert gas	Minimizes contamination
UV blocking material	Protects photosensitive materials used in photolithography
Metal-free construction	Eliminates corrosion
Improved sealing conductance	Protects the reticle from the external environment, reducing contamination risk
Info pads	Reduce opportunity for misalignment

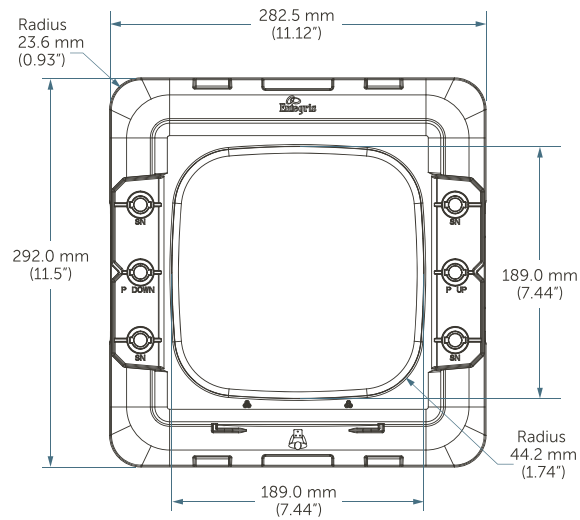
SPECIFICATIONS

Capacity	One 150 mm reticle
UV transmissivity (all colors)	~0% @ ≤ 470 nm
ESD performance	<2 seconds
Weight	1.38 kg
Reliability	>50K MCBF
Washability	No disassembly required
Serialization	Permanent unique serialization labels
Door flatness	0.5 mm

DIMENSIONS

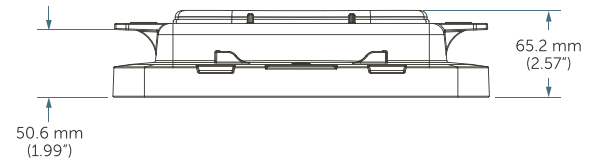
PEEK™ Full Dome with PC-IDP Window

Top View



PEEK™ Full Dome with PC-IDP Window

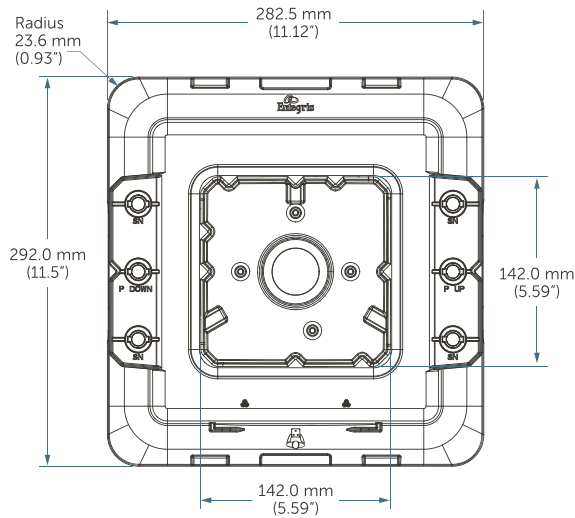
Side View



DIMENSIONS

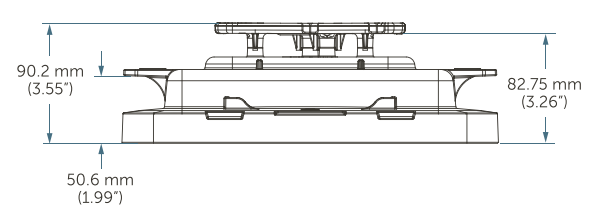
PEEK™ Full Dome with AK Handle

Top View



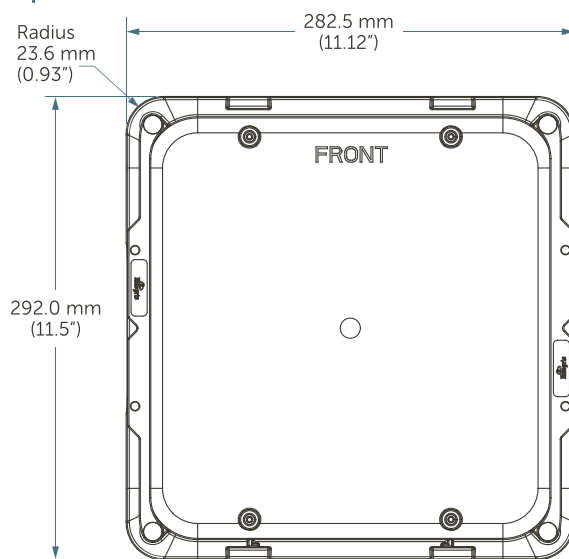
PEEK™ Full Dome with AK Handle

Side View



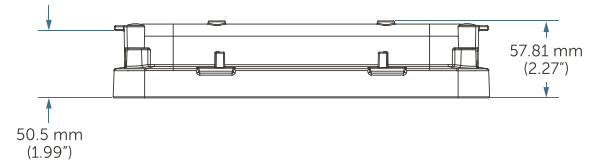
Amber ABS Dome

Top View



Amber ABS Dome

Side View



ORDERING INFORMATION

PART NUMBER	DOMES TYPE	BARCODE	RFID	DOOR TYPE	SPACER
9700-9753-03	Amber ABS	Yes	No	A200	Yes
9700-9753-04	Amber ABS	Yes	No	A200	No

ORDERING INFORMATION

PART NUMBER	DOME TYPE	BARCODE	RFID	DOOR TYPE	SPACER
9700-9753-05	Amber ABS	Yes	Yes	A200	Yes
9700-9753-06	Amber ABS	Yes	Yes	A200	No
9700-9753-06E	Amber ABS	No	Yes	E200	No
RSP200-1104W04-M	PEEK™ with window	No	No	A200	No
RSP200-1104W04-MR	PEEK™ with window	No	Yes	A200	No
RSP200-2004W04-M	PEEK™ with window	No	No	E200	No
RSP200-2104	PEEK™	No	No	E200	No
RSP200-2106	PEEK™	No	Yes	E200	No
RSP200-2106AK-1	PEEK™ with AK handle	No	Yes	E200	No
RSP200-2106W04	PEEK™ with window	No	Yes	E200	No
RSP200-2106W04-7	PEEK™ with window	Yes	Yes	E200	No
RSP200-2106W04-9	PEEK™ with window	No	Yes, quantity 2	E200	No

FOR MORE INFORMATION

Please call your Regional Customer Service Center today to learn what Entegris can do for you. Visit entegris.com and select the [Contact Us](#) link to find the customer service center nearest you.

TERMS AND CONDITIONS OF SALE

All purchases are subject to Entegris' Terms and Conditions of Sale. To view and print this information, visit entegris.com and select the [Terms & Conditions](#) link in the footer.



Corporate Headquarters
129 Concord
Billerica, MA 01821
USA

Customer Service
Tel +1 952 556 4181
Fax +1 952 556 8022
Toll Free 800 394 4083

Entegris®, the Entegris Rings Design®, and other product names are trademarks of Entegris, Inc. as listed on entegris.com/trademarks. All third-party product names, logos, and company names are trademarks or registered trademarks of their respective owners. Use of them does not imply any affiliation, sponsorship, or endorsement by the trademark owner.

©2013-2021 Entegris, Inc. | All rights reserved. | Printed in the USA | 1250-7201ENT-0421