

GateKeeper® GPU AP Media Gas Purifiers

Superior purity control

Entegris' GateKeeper® GPU gas purifiers were designed to improve purity consistency, lifetime, and final purity in microelectronics applications where high-purity gas is critical. Leveraging our expertise in material science, we have developed a new generation of AP gas purification products that deliver unsurpassed value and performance.



APPLICATIONS

- Semiconductor
- LED
- Data storage
- Solar
- Flat panel display

FEATURES & BENEFITS

Process control and protection	Purity control below part-per-billion (ppb) levels Low pressure drop through the purifier CE certified to the Pressure Equipment Directive (PED) Manufactured in an ISO® 9001:2015 facility
Cost effective	Long lifetime — improves cost of ownership
Safe and simple to use	Uses ambient temperature purification — no heat or power required to operate Insensitive to orientation (horizontal/vertical)

GENERAL SPECIFICATIONS

Gases purified	AsH ₃ , PH ₃	
Impurities removed	CONTAMINANTS	OUTLET PURITY
	H ₂ O	<1 ppbV
	O ₂	<1 ppbV
	Metals	<1 ppbV
Outlet particle filter	Wafergard® – 316 stainless steel membrane, 20 µm or 0.0015 µm	
Lifetime	<p>One year with inlet challenge of 0.5 ppm moisture with flow rates shown on the next page.</p> <p>The lifetime varies with the inlet impurities and flow rate. Contact Entegris for application specific lifetime calculations.</p>	
Regenerable	No	
Dangerous goods (DG)	No	
Operating temperature	0° – 65°C (32° – 149°F)	
Leak rating	1 × 10 ⁻⁹ atm cc/sec of He	
Materials of construction	Housing: 316L stainless steel	
Certification	<p>CE certified to the Pressure Equipment Directive (PED)</p> <p>Designed in accordance with ASME®</p>	

OPERATING SPECIFICATIONS

Model	Maximum flow rate	Lifetime is 1 year at this flow rate, with 0.5 ppm moisture	Maximum operating pressure – purifier only	Maximum operating pressure – purifier with options	Pressure drop, with 0.0015 µm particle filter*
GPU 35	1 slpm	0.2 slpm	1,400 psig	250 psig	0.3 psid
GPU 70	3 slpm	0.4 slpm	1,400 psig	250 psig	0.5 psid
GPU 80	3 slpm	0.6 slpm	1,400 psig	250 psig	1.0 psid
GPU 100	3 slpm	0.9 slpm	1,000 psig	250 psig	16.7 psid
GPU 200	10 slpm	1.5 slpm	800 psig	250 psig	0.7 psid
GPU 300	14 slpm	2.0 slpm	800 psig	250 psig	1.3 psid
GPU 500	28 slpm	5.0 slpm	600 psig	250 psig	1.3 psid
GPU 700	35 slpm	7.0 slpm	600 psig	250 psig	1.8 psid
GPU 2500 4R	70 slpm	25.0 slpm	505 psig	250 psig	5.0 psid
GPU 2500 8R	70 slpm	25.0 slpm	505 psig	250 psig	5.6 psid
GPU 3000	80 slpm	30.0 slpm	505 psig	250 psig	5.6 psid

*Purifier only at maximum flow rating with 90 psig inlet pressure

FACILITY SPECIFICATIONS

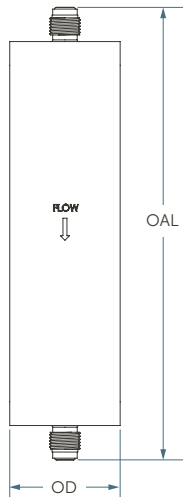
GPU model	Connection size (VCR)	Inlet/outlet connection type (VCR)	Outside Diameter (OD)	Overall length (OAL)	Approximate weight
GPU 35	¼"	Male/male	38.1 mm (1.5")	84 mm (3.3")	0.3 kg (0.7 lbs)
GPU 70	¼"	Male/male	38.1 mm (1.5")	114 mm (4.5")	0.3 kg (0.7 lbs)
GPU 80	¼"	Male/male	38.1 mm (1.5")	127 mm (5.0")	0.3 kg (0.7 lbs)
GPU 100	¼"	Male/male	N/A	84 mm (3.3")	0.9 kg (2.0 lbs)
GPU 200	¼"	Male/male	50.8 mm (2.0")	157 mm (6.2")	0.9 kg (2.0 lbs)
GPU 300	¼"	Male/male	50.8 mm (2.0")	208 mm (8.2")	1.1 kg (2.5 lbs)
GPU 500	¼"	Male/male	76.2 mm (3.0")	201 mm (7.9")	1.8 kg (4.0 lbs)
GPU 700	¼"	Male/male	76.2 mm (3.0")	254 mm (10.0")	2.5 kg (5.5 lbs)
GPU 2500 4R	¼"	Male/male	101.6 mm (4.0")	439 mm (17.3")	6.8 kg (15 lbs)
GPU 2500 8R	½"	Male/male	101.6 mm (4.0")	445 mm (17.5")	6.8 kg (15 lbs)
GPU 3000	½"	Male/male	101.6 mm (4.0")	508 mm (20.0")	7.3 kg (16 lbs)

FACILITY SPECIFICATIONS, PURIFIERS WITH ISOLATION VALVES

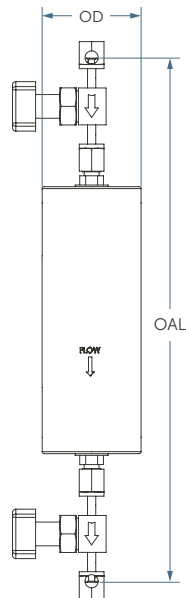
GPU model	Connection size (VCR)	Inlet/outlet connection type (VCR)	Outside Diameter (OD)	Overall length (OAL) with valves	Approximate weight with valves
GPU 35	¼"	Female/female	38.1 mm (1.5")	234 mm (9.2")	1.2 kg (2.6 lbs)
GPU 70	¼"	Female/female	38.1 mm (1.5")	264 mm (10.4")	1.3 kg (2.9 lbs)
GPU 80	¼"	Female/female	38.1 mm (1.5")	277 mm (10.9")	1.3 kg (2.9 lbs)
GPU 100	¼"	Female/female	N/A	234 mm (9.2")	1.3 kg (2.9 lbs)
GPU 200	¼"	Female/female	50.8 mm (2.0")	307 mm (12.1")	1.7 kg (3.7 lbs)
GPU 300	¼"	Female/female	50.8 mm (2.0")	358 mm (14.1")	1.8 kg (3.8 lbs)
GPU 300 (GC 300)	¼"	Female/male	83.8 mm (3.3")	401.3 mm (15.8")	2.3 kg (5.1 lbs)
GPU 500	¼"	Female/female	76.2 mm (3.0")	351 mm (13.8")	2.7 kg (6.0 lbs)
GPU 700	¼"	Female/female	76.2 mm (3.0")	404 mm (15.9")	4.4 kg (9.6 lbs)
GPU 2500 4R	¼"	Female/female	101.6 mm (4.0")	592 mm (23.3")	6.8 kg (15 lbs)
GPU 2500 8R	½"	Female/female	101.6 mm (4.0")	714 mm (28.1")	8.0 kg (17.7 lbs)
GPU 3000	½"	Female/female	101.6 mm (4.0")	777 mm (30.6")	8.5 kg (18.7 lbs)

DIMENSIONS

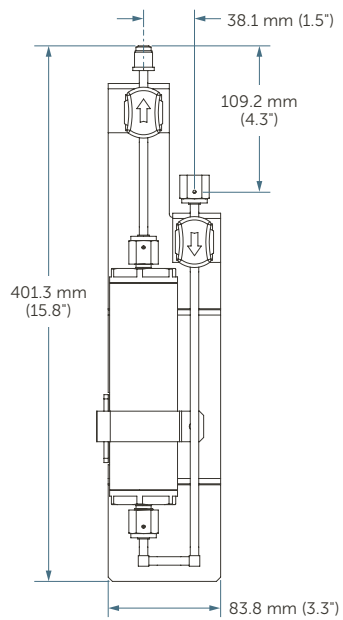
Purifier Only



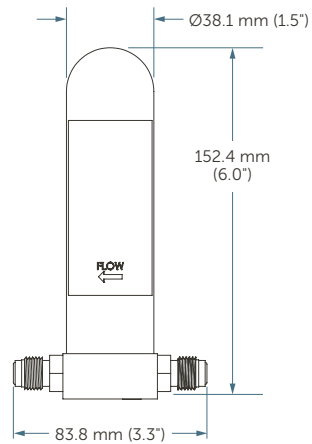
Purifier with Isolation Valves



GPU 300 with GC300 Manifold

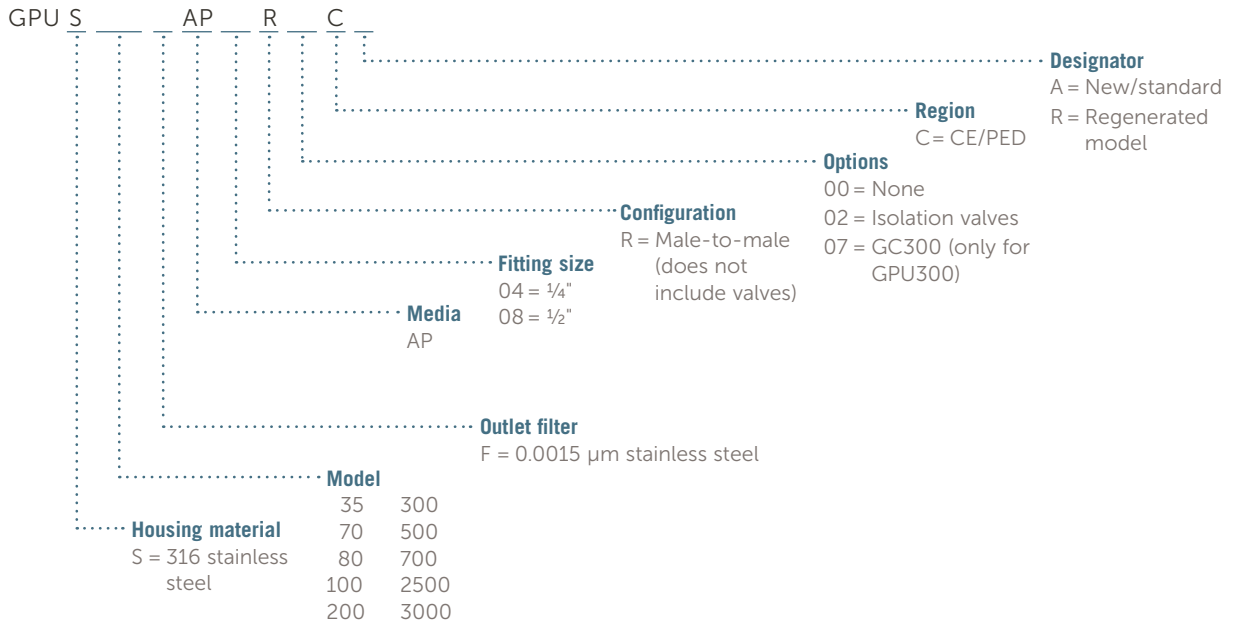


GPU 100



ORDERING INFORMATION

GateKeeper GPU AP Media Gas Purifiers: part number



ADDITIONAL OPTIONS

BYPASS ASSEMBLIES: This assembly contains additional valves and piping so the process gas can bypass around the purifier. Entegris offers 3 and 5 valve bypass assemblies for many of our standard GPU Gas Purifiers (sold separately).

FOR MORE INFORMATION

Please call your Regional Customer Service Center today to learn what Entegris can do for you. Visit entegris.com and select the [Contact Us](#) link to find the customer service center nearest you.

TERMS AND CONDITIONS OF SALE

All purchases are subject to Entegris' Terms and Conditions of Sale. To view and print this information, visit entegris.com and select the [Terms & Conditions](#) link in the footer.



Corporate Headquarters

129 Concord Road
Billerica, MA 01821
USA

Customer Service

Tel +1 952 556 4181
Fax +1 952 556 8022
Toll Free 800 394 4083

Entegris®, the Entegris Rings Design®, and other product names are trademarks of Entegris, Inc. as listed on entegris.com/trademarks. All third-party product names, logos, and company names are trademarks or registered trademarks of their respective owners. Use of them does not imply any affiliation, sponsorship, or endorsement by the trademark owner.

©2020-2021 Entegris, Inc. | All rights reserved. | Printed in the USA | 4521-10975TAN-0221