

AUTROL[®]



ACONF 312 Kit

For AUTROL Smart Transmitter Series



DUON System **DUON SYSTEM CO., LTD.**

#60-31 GASAN-DONG KEUMCHEON-GU SEOUL KOREA

Tel : +82-2-860-7900

Fax : +82-2-860-7997

Web : www.autrol.com

Function

Common Function

Change Transmitter Information.
Change Range.
Change Unit.
Damping.
Transfer Function.
Fixed Current Mode.
Zero Trim.
DAC Trim.
Self Test.
Master Reset.
Trend.

Low Cut Mode.
Full Trim.
Zero Adjustment.
CJ Linearization.
Factory Initialize.
Alarm Selection.
Write Protect.
LCD Display Control.
Eng. Mode.

UMPC Spec

O S	Window 8.1
CPU	Intel® Atom™ Processor Z3745
DISPLAY	25.6cm IPS LCD with Touch
Memory	4GB LPDDR3
Storage	eMMC
Wireless LAN	QCA6234 IEEE802.11a/b/g/n
Camera	Front : 1.26MP / Back : 5.0MP
Battery	Extended battery life with up to 15 hours on a single charge ²
Bluetooth	Bluetooth 4.0+LE
Weight	540 g
AC adapter	24/40 W
Battery(Li-Ion)	7.6V
Graphics	Intel® HD Graphics

AHM-U1 (USB HART Modem) Spec

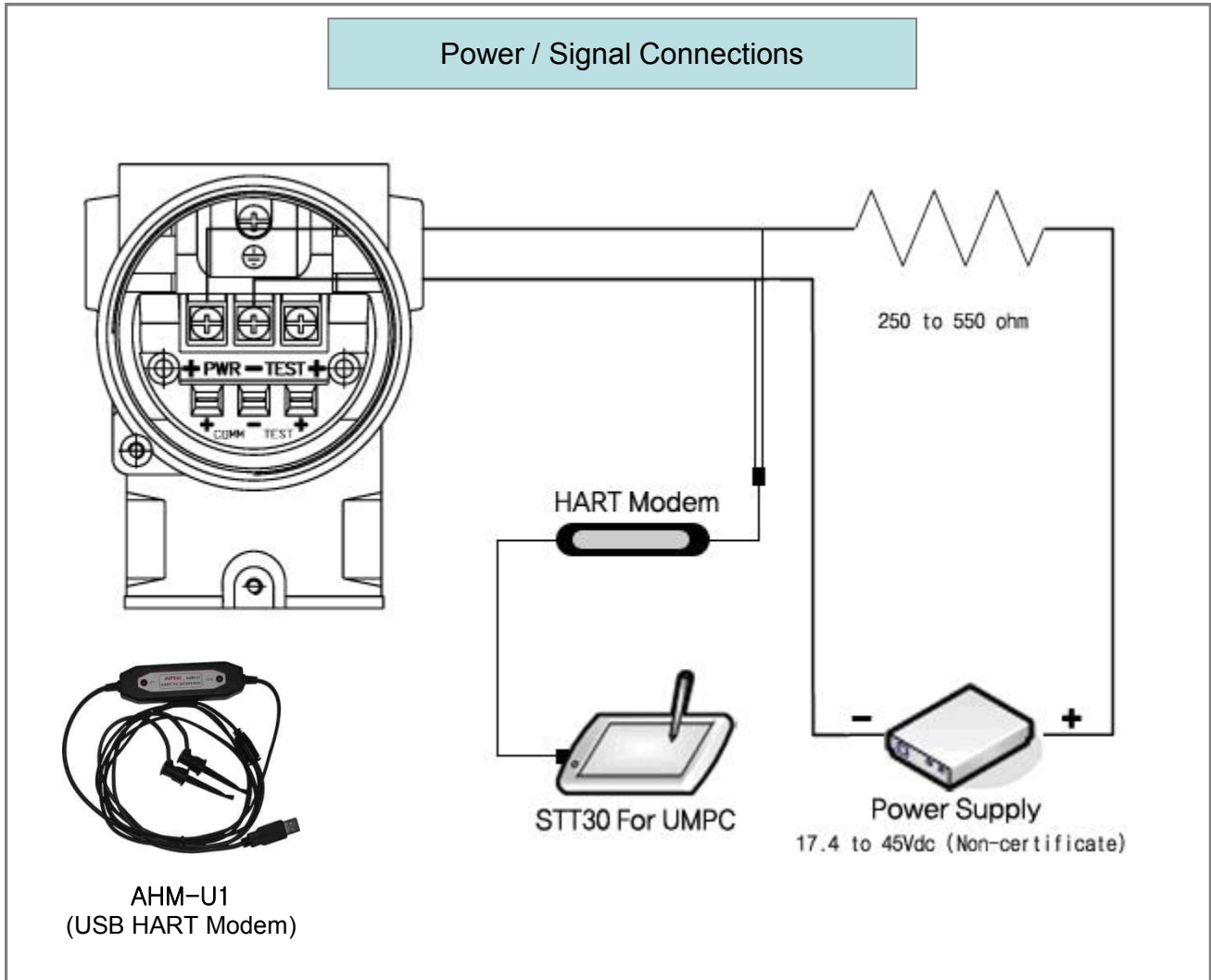
Dimensions	
Length	103 mm
Width	30 mm
Depth	18.7 mm
Connections	
Computer	USB Type A Connector
HART Side	Clamp Probes
Cable	
Max Length	1900 mm (including Probes)



STT30 For UMPC Software Spec

CPU	Intel® Atom™ Processor Z3745
Memory	4GB LPDDR3
HDD	SSD 48GB
Connect Port	Micro-USB Micro SD Audio Combo Jack

Connection



After connecting HART Modem to USB port of UMPC, connect two lines from Hart Modem as 'Power / Signal Connections'. After connecting, turn on the PC and follow the route (Start->Program-> Autorol -> STT30 For UMPC) and click the icon of STT 30 For 30 and operate the program.

Other manufacturer's Communicator usable to
AUTROL Transmitter



EMERSON
375 Field Communicator



Fisher Rosemount HART
Communicator model 275



MFC 4100 HART Communicator
meriam