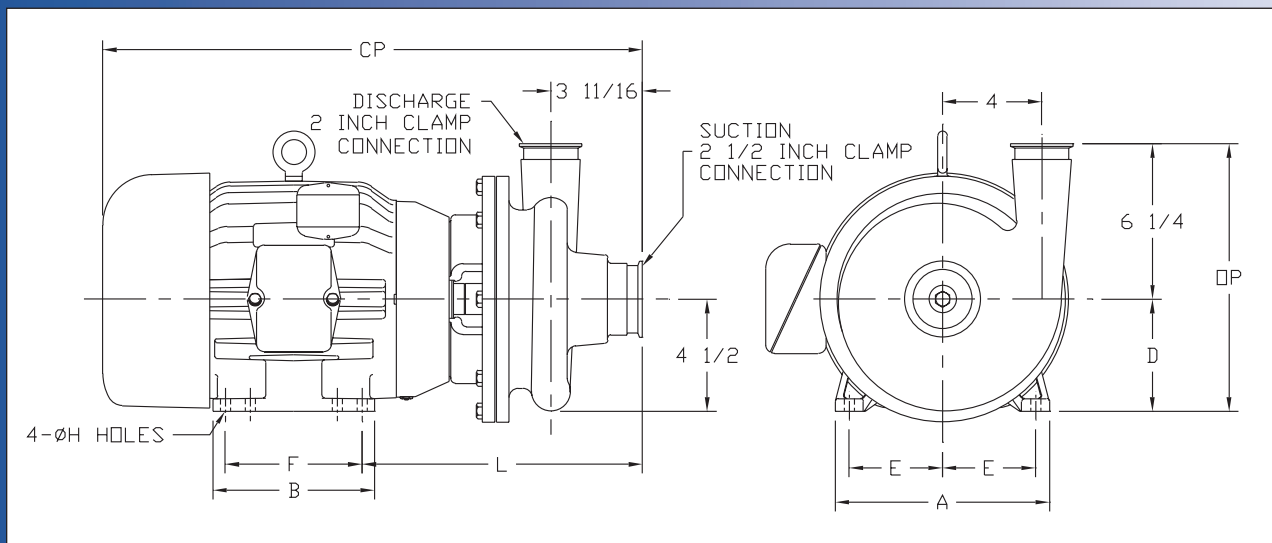
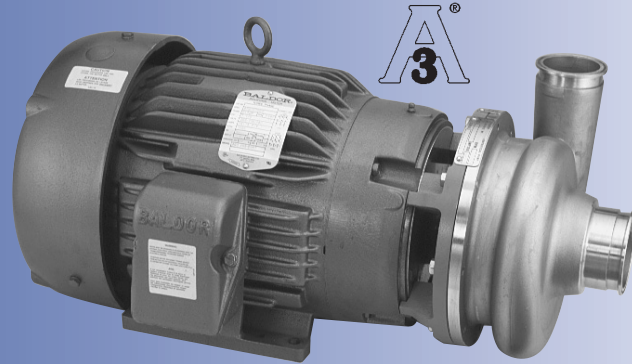


Ampco Centrifugal Pumps

DATA SHEET

MODEL DC2 2 1/2 X2
MODEL DC3 2 1/2 X2



TEFC MOTOR			DIMENSIONS IN INCHES (For Reference Only)									APPROX. WEIGHT (LBS)
HP	RPM	FRAME	A (typ)	B (typ)	D	E	F	H	L	CP	OP	
1	1750	143JM	6-1/2	6	3-1/2	2-3/4	4	11/32	10-25/32	19-3/32	9-3/4	101
1-1/2	1750	145JM	6-1/2	6	3-1/2	2-3/4	5	11/32	10-25/32	19-3/32	9-3/4	105
2	1750	145JM	6-1/2	6	3-1/2	2-3/4	5	11/32	10-25/32	19-3/32	9-3/4	111
3	1750	182JM	8-5/8	6-1/2	4-1/2	3-3/4	4-1/2	13/32	11-3/8	20-15/32	10-3/4	129
5	3500	184JM	8-5/8	6-1/2	4-1/2	3-3/4	5-1/2	13/32	11-3/8	21-27/32	10-3/4	153
7-1/2	3500	213JM	9-5/8	8-1/8	5-1/4	4-1/4	5-1/2	13/32	12-5/32	24-23/32	11-1/2	217
10	3500	215JM	9-5/8	8-1/8	5-1/4	4-1/4	7	13/32	12-5/32	24-23/32	11-1/2	235
15	3500	215JM	9-1/8	8	5-1/4	4-1/4	7	13/32	12-13/32	24-19/32	11-1/2	332

MATERIAL SPECIFICATIONS

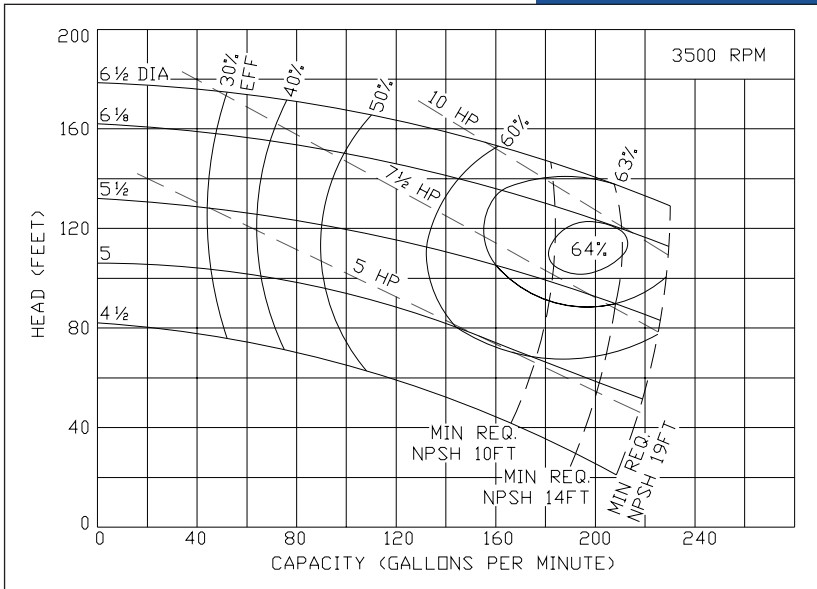
PART NAME	STAINLESS STEEL
Casing & Cover	316 Stainless
Impeller	316 Stainless
Motor Shaft	Steel
Shaft Sleeve	316 Stainless
Adapter	Cast Iron



Ampco Centrifugal Pumps

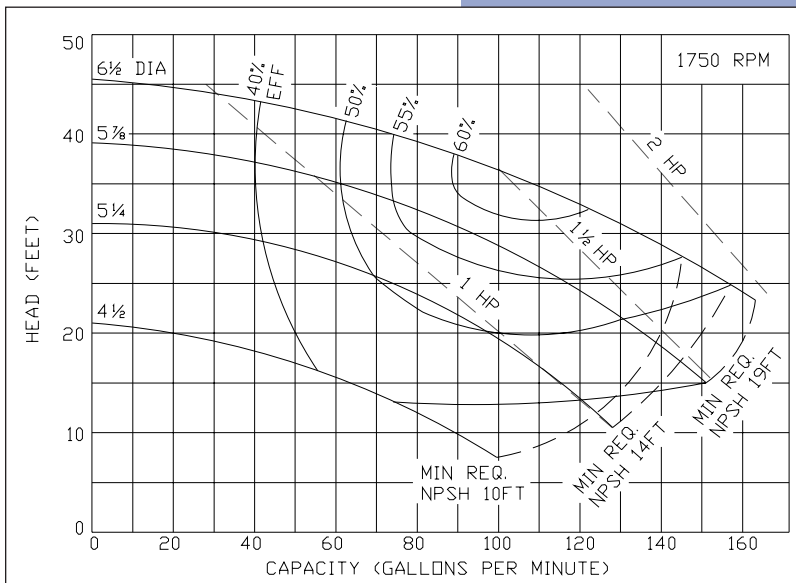
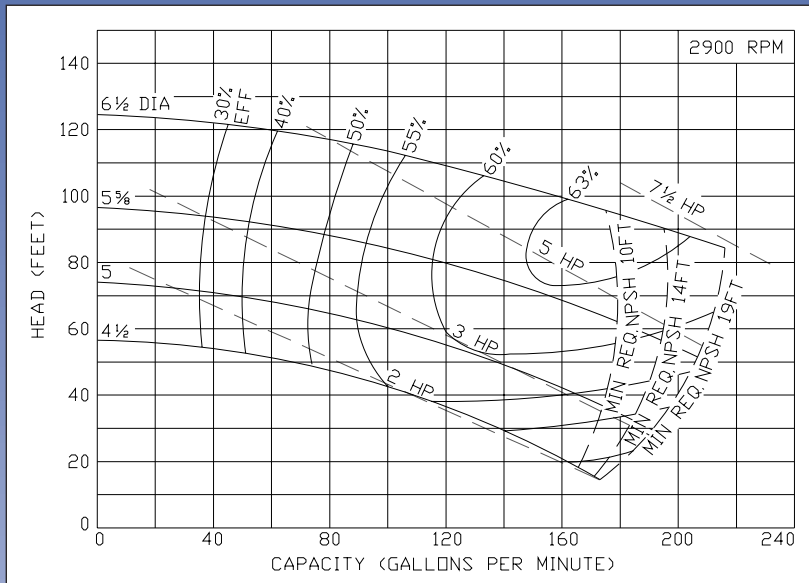
MODEL DC2 2½ X 2
MODEL DC3 2½ X 2

Curves show approximate characteristics based on clear 68° water. Rated point is guaranteed.



DC3/DCH3 pumps are in conformance with 3A sanitary standards for centrifugal and positive rotary pumps for pumping cleaning and sanitizing solutions, Number 47-00.

DC2/DCH2 pumps are also available with 150 lb. flat faced flanged connections.



Ampco Pumps Company

4424 West Mitchell Street
Milwaukee, Wisconsin 53214
PHONE (414) 643-1852
FAX (414) 643-4452