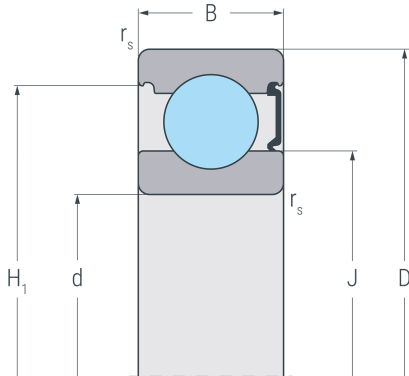


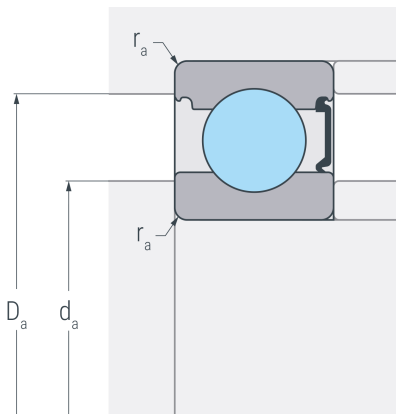
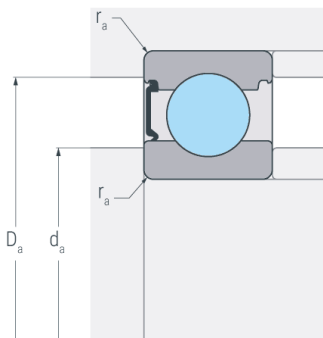
# 6000RSR

Deep groove ball bearing, single row, steel sheet cage, one shield, rings and rolling elements made of high-quality roller bearing steel

\*) the unit "B" in the graphics corresponds in English to the unit "W" for "Width"



RSR



## Dimensions

|                          |      |      |                              |
|--------------------------|------|------|------------------------------|
| <b>d</b>                 | (mm) | 10   | Bore diameter                |
| <b>D</b>                 | (mm) | 26   | Outer diameter               |
| <b>W</b>                 | (mm) | 8    | Width                        |
| <b>r<sub>s min</sub></b> | (mm) | 0.3  | Minimal edge distance        |
| <b>H<sub>1</sub></b>     | (mm) | 22.5 | Shoulder diameter outer ring |
| <b>J</b>                 | (mm) | 14.7 | Shoulder diameter inner ring |

## Connecting dimensions

|                          |      |     |                                      |
|--------------------------|------|-----|--------------------------------------|
| <b>d<sub>a min</sub></b> | (mm) | 12  | Minimal diameter of shaft shoulder   |
| <b>D<sub>a max</sub></b> | (mm) | 24  | Maximal diameter of housing shoulder |
| <b>r<sub>a max</sub></b> | (mm) | 0.3 | Maximal rounding radius              |

## Performance data

|                       |                      |       |                             |
|-----------------------|----------------------|-------|-----------------------------|
| <b>C<sub>r</sub></b>  | (kN)                 | 4.85  | Dynamic load rating, radial |
| <b>C<sub>0r</sub></b> | (kN)                 | 1.98  | Static load rating, radial  |
| <b>C<sub>ur</sub></b> | (kN)                 | 0.096 | Fatigue limit load, radial  |
| <b>n<sub>G</sub></b>  | (min <sup>-1</sup> ) | 19000 | Limit speed                 |

## Mass

|           |  |      |      |
|-----------|--|------|------|
| <b>kg</b> |  | 0.02 | Mass |
|-----------|--|------|------|