

# SKAKO CONCRETE ROTOCONIX®

PATENTED MIXER TECHNOLOGY - UHPC READY



# SKAKO

# The ultimate response to UHPC requirements

# ROTOCONIX® Cone Mixer

## Reversible Turbo Whirler

- High speed destroys and prevents lumps of non-mixed particles - **MEANS BETTER MIXING**
- Provides intense compression and increases cement activity - **MEANS POWDER SAVINGS**
- Release/snap and easily removable parts - **MEANS FAST AND EASY MAINTENANCE**
- Long life wear parts with high strength steel reinforcements - **MEANS LOW COST MAINTENANCE**
- Distributes liquids rapidly into the centre of the mix - **MEANS FASTER MIXING**



## Reversible Screw

- Homogenizes and distributes materials vertically - **MEANS BETTER MIXING**
- Ensures equal mixing at all filling levels of cone from 5% up - **MEANS FLEXIBLE PRODUCTION**
- Inversion of screw direction prevents retention of materials and accelerates discharge - **MEANS SHORTER BATCHING CYCLES**
- Ensures fast and steady dispersion of fibres into concrete mix - **MEANS BETTER MIXING OF UHPC**

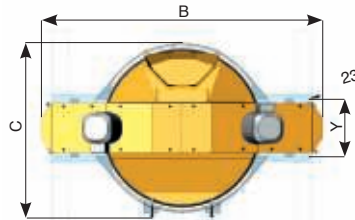
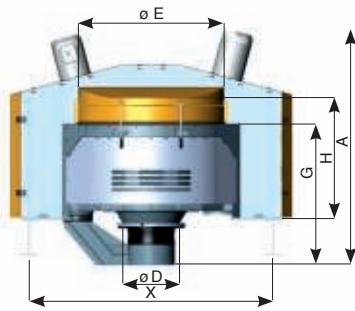
## Reversible Rotating Cone

- Accelerates discharge - **MEANS SHORTER CYCLES**
- Cone with minimum surface - **MEANS FAST AND EASY CLEANING**
- No tools at inlet mean no residuals clinging from batch to batch - **MEANS BETTER CONCRETE QUALITY**
- Conical shape allows for small batches down to 5% of maximum filling capacity - **MEANS FLEXIBLE PRODUCTION**
- Removes all materials sticking to scrapers at each inversion of cone rotation - **MEANS COMPLETE DISCHARGE**
- Mixing starts at first introduction of materials - **MEANS FASTER MIXING**

## YOUR MIXING NEEDS

- Quick batching cycles
- Easy and fast discharge
- Smooth and time-saving maintenance
- Homogeneous stable quality at low cost
- Flexible size batches from same mixer – less investments
- Face concrete quality
- Automatic or easy cleaning between batches

# Fully integrable with your SKAKO CONCRETE automation and control system



SKAKO ROTOCONIX®		375	750	1500	2250
Max. charging capacity / max. charging weight	l / kg	375 / 600	750 / 1200	1500 / 2400	2250 / 3600
Output, compact concrete	l / kg	250 / 600	500 / 1200	1000 / 2400	1500 / 3600
Min. batch volume	litres	20	50	50	50
Motor power : cone rotation	kW	7.5	7.5	11	15
Motor power : screw	kW	7.5	11	22	30
Motor power : whirler	kW	11	15	30	37
Cone rotation speed range	RPM	2 - 24	4 - 16	3.5 - 14.5	3.5 - 14.5
Screw rotation speed range	RPM	10 - 120	25 - 100	18 - 72	15 - 60
Whirler rotation speed range	RPM	30 - 300	75 - 300	50 - 200	40 - 160
Net weight / gross weight	kg	3400 / 4000	3400 / 4600	5700 / 8100	6000 / 9600
A: Total height	mm	2475	2300	3200	3200
B: Total length	mm	2900	2900	3600	3600
C: Total width	mm	1750	1750	2450	2450
D: Output diameter	mm	300	550	550	550
E: Internal diameter (max.)	mm	1660	1660	2360	2360
Conical angle		60°	60°	60°	60°
G: Cone height	mm	1165	950	1560	1560
H: Cover level	mm	1160	1300	1470	1470
I: Discharge bottom level	mm	660	410	840	840
X: Support distance (length)	mm	2500	2500	3200	3200
Y: Support distance (width)	mm	590	590	590	590

- Consistency control via power consumption at different whirler speeds

- Water content control

- The motors for all three mixing functions are managed via frequency converters – means innumerable combinations e.g.:

- 1) Rpm of individual tools
- 2) Mixing change triggered by batch consistency
- 3) Multi-parameter combinations for determined mix designs

# IN A DEMANDING WORLD

**SKAKO DELIVERS CONCRETE RESULTS**



## QUALITY CONCRETE – IN FULL CONTROL

Concrete is the basic leading building blocks of strong communities. Made from 100% natural materials, it forms the foundations of the homes, businesses and major infrastructure projects that communities depend on to live comfortably and prosper.

SKAKO develops the technology and provides the services that make it easier for people to perform better and produce higher quality concrete so essential to best practices today.

SKAKO is one of the world's largest suppliers of complete concrete batching plants for ready-mix concrete, precast concrete and concrete elements.

Our batching plants are under continuous development to ensure we deliver the most efficient capital equipment and plant possible.

SKAKO understands that in today's production environment, productivity improvements and downtime reduction are on the top of every company's priority list. SKAKO equipment is engineered to perform flawlessly under all conditions.

[www.skako.com](http://www.skako.com)

# SKAKO