



FEATURES

- ▶ Minimum pressure not required
- ▶ Textyle diaphragm for heavy duty applications also with air
- ▶ Normally closed and normally open available as standard

TECHNICAL SPECIFICATION

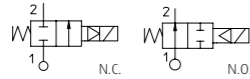
- ▶ **Body material:** Brass UNI EN 12165 CW617N
- ▶ **Armature tube:** Stainless Steel AISI 300 series
- ▶ **Plungers:** Stainless Steel AISI 400 series
- ▶ **Spring:** Stainless Steel AISI 300 series
- ▶ **Media:** air, gasoline, fuel oils, inert gases, water, mineral oils, diesel, steam
- ▶ **Ambient temperature:** See coils catalogue page for its compatibility
- ▶ **Fluid temperature:** -10°C +90°C with NBR+PA seals
-10°C +140°C with FKM+NBR,EPDM seals
- ▶ **Design pressure PS:** 16 bar
- ▶ **Protection class:** IP65 (complete with electric plug)
- ▶ **Electrical conformity:** IEC 335
- ▶ **Switching time:** 20 - 40 msec

AVAILABLE ON REQUEST

- ▶ Explosion proof coil Ex nA (see Atex section)



(Pressure Equipment Directive 97/23/CE) for S.V. 21HF7+21HF8



| 21HT | 6 | K0 | V | 250 | |
|-------------|-----------------------|----------|-----------|--|--------------------------------|
| Model valve | 2= G 1/4 - 1/4 NPT | K0= N.C. | V= FKM | 110 160 200 250 350 400 | Orefice 10 ⁻¹ mm |
| | 3= G 3/8 - 3/8 NPT | Z0= N.O. | Y= NBR+PA | | |
| | 5= G 3/4 - 3/4 NPT | | | | |
| | 6= G 1 - 1 NPT | | | | |
| | 7= G1 1/4 - 1 1/4 NPT | | | | |
| | 8= G 1/2 - 1/2 NPT | | | | |

| B | D | A | 08 | 024 | A | S |
|-----------------|--------------------|------------|---------|----------------|-------|---------------------|
| B= 30mm Ø 13 | D EN 175301-803 | A= Class F | 08= 8W | 024= 24V | C= DC | S= Without Approval |
| U= 36mm Ø 13 | | V= Class H | 12= 12W | 110= 110V-120V | A= AC | Y= UL, CSA, VDE |
| G= 52mm Ø 13 | | | 14= 14W | 230= 230V-240V | D= AC | |

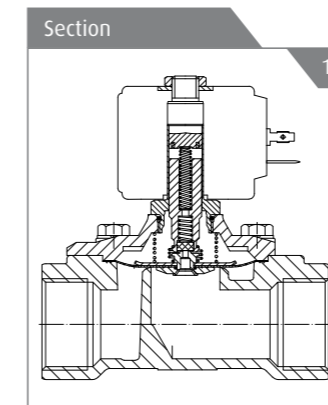
| PIPE | Ø (mm) | Kv (l/min) | MAX VISCOSITY cSt (°E) | PRESSURE min | PRESSURE MAX MOPD (bar) | | | | | | GAS CODE | NPT CODE | DRAWING REFERENCE |
|------|--------|------------|------------------------|--------------|-------------------------|--|--|----|--|--|----------|----------|-------------------|
| | | | | | COIL TYPE | | | | | | | | |
| | | | | | AC | | | DC | | | | | |
| B | U | G | B | U | G | | | | | | | | |

Normally Closed (1) For DC only

| | | | | | | | | | | | | | | |
|-------|----|-----|-------|---|----|----|----|-----|-----|----|--|-------------------|----------------|---|
| 1/4 | 11 | 20 | 12(2) | 0 | 14 | 14 | 14 | 5 | 14 | 14 | | 21HN2K0Y110-HT | 1 | |
| 3/8 | 11 | 20 | 12(2) | 0 | 14 | 14 | 14 | 5 | 14 | 14 | | 21HT3K0Y110 | 21HN3K0Y110-HT | 1 |
| 3/8 | 11 | 6,5 | 12(2) | 0 | - | - | - | 14 | - | - | | 21HT3K0Y110-S (1) | | 1 |
| 1/2 | 16 | 40 | 12(2) | 0 | 14 | 14 | 14 | 2,5 | 11 | 14 | | 21HT4K0Y160 | 21HN4K0Y160-HT | 1 |
| 1/2 | 16 | 40 | 12(2) | 0 | - | - | - | 10 | - | - | | 21HT4K0Y160-S (1) | | 1 |
| 3/4 | 16 | 40 | 12(2) | 0 | 14 | 14 | 14 | 1,5 | 11 | 14 | | 21HT5K0Y160 | 21HN5K0Y160-HT | 1 |
| 3/4 | 20 | 120 | 12(2) | 0 | 16 | 16 | 16 | 6 | 16 | 16 | | 21HF5K0V200 | | 3 |
| 3/4 | 16 | 30 | 12(2) | 0 | - | - | - | 10 | - | - | | 21HT5K0Y160-S (1) | | 1 |
| 1 | 25 | 120 | 12(2) | 0 | 8 | 14 | 14 | - | 1,5 | 6 | | 21HT6K0Y160 | 21HN6K0Y160-HT | 1 |
| 1 | 25 | 90 | 12(2) | 0 | - | - | - | 1 | 6 | 12 | | 21HT6K0Y160-S (1) | | 1 |
| 1 | 25 | 140 | 12(2) | 0 | 16 | 16 | 16 | 5 | 16 | 12 | | 21HF6K0V250 | | 3 |
| 1 1/4 | 35 | 270 | 12(2) | 0 | 16 | 16 | 16 | - | - | 6 | | 21HF7K0V350 | | 3 |
| 1 1/2 | 40 | 280 | 12(2) | 0 | 16 | 16 | 16 | - | - | 6 | | 21HF8K0V400 | | 3 |

Normally Open (2) To use in AC, DC coil will be supplied with a bridge rectifier

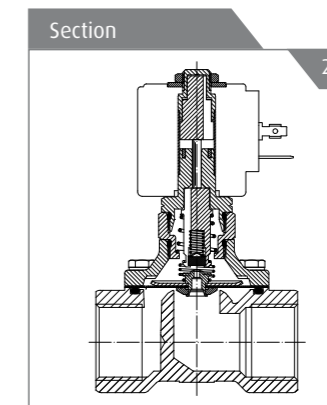
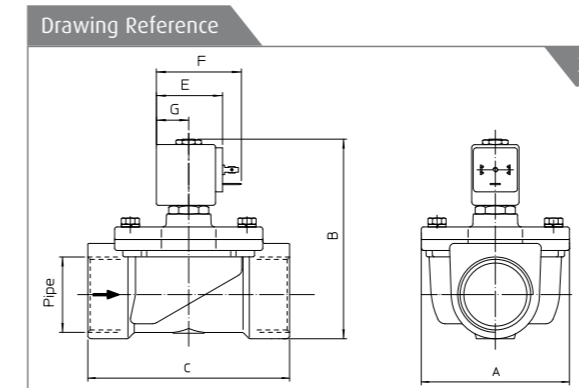
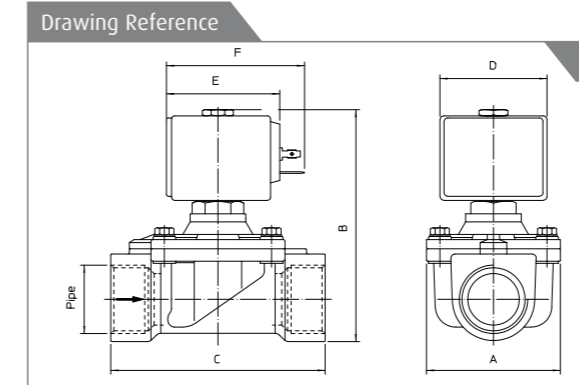
| | | | | | | | | | | | | | | |
|-----|----|----|-------|---|----|---|---|----|---|---|--|-------------------|-------------------|---|
| 1/4 | 11 | 20 | 12(2) | 0 | 10 | - | - | 10 | - | - | | 21HN2Z0Y110-HT(*) | 2 | |
| 3/8 | 11 | 20 | 12(2) | 0 | 10 | - | - | 10 | - | - | | 21HT3Z0Y110(*) | 21HN3Z0Y110-HT(*) | 2 |
| 1/2 | 16 | 40 | 12(2) | 0 | 10 | - | - | 10 | - | - | | 21HT4Z0Y160(*) | 21HN4Z0Y160-HT(*) | 2 |
| 3/4 | 16 | 40 | 12(2) | 0 | 10 | - | - | 10 | - | - | | 21HT5Z0Y160(*) | 21HN5Z0Y160-HT(*) | 2 |



- REPAIR KIT**
Normally Closed
21HN - 21HT
For 1/4+3/8 KTGH3K0Y11
For 1/2+3/4 KTGH4K0Y16
For 1 KTGH6K0Y25
21HF
For 1 KTGH5K0V20
For 1 1/4+1 1/2 KTGH7K0V35

RELATED ITEMS

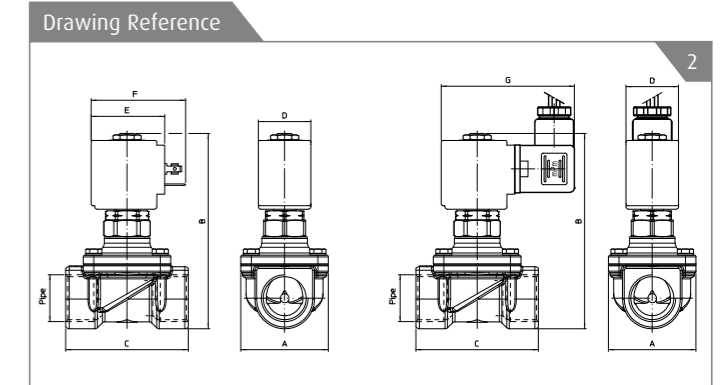
- ▶ P990305: Electrical plug EN 175301-803 Pg9
- ▶ P990306: Electrical plug EN 175301-803 Pg11
- ▶ P992126: Electrical plug EN 175301-803 Pg9 (with OR screw)
- ▶ P992127: Electrical plug EN 175301-803 Pg11 (with OR screw)
- ▶ P992128: Electrical plug EN 175301-803 cable 2 wires, 53cm
- ▶ R452714: Antihumidity kit (up to IP67 protection together with plugs P992126, P992127; P992128 & H coil class)
- ▶ P992087: Timer for automatic switch



- REPAIR KIT**
Normally Open
21HN - 21HT
For 1/4+3/8 KTGH3Z0Y11
For 1/2+3/4 KTGH4Z0Y16
For 1 KTGH6Z0Y25

INSTALLATION

- ▶ The solenoid valves can be mounted in any position
- ▶ Other port connections available on request
- ▶ Maintenance and instruction sheet available in each solenoid valve box
- ▶ Availability of repair kit and coils as spares



Dimensionale Table

| Figure | Coil Type | D mm | E mm | F mm | G mm |
|--------|-----------|------|------|------|------|
| 1-2-3 | B | 30 | 42 | 54 | 20,5 |
| | U | 36 | 48 | 60 | 23,5 |
| | G | 52 | 55 | 67 | 25 |

