

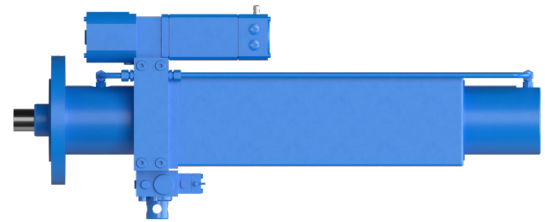
Data Sheet EHS-DC

Nominal size DN200 - 1200

Description

The electro-hydraulic linear actuator in the EHS-DC series, offers a standalone actuator solution. Compared to conventional hydraulic power packs, with an offset hydraulic cylinder, costs and effort are considerably reduced.

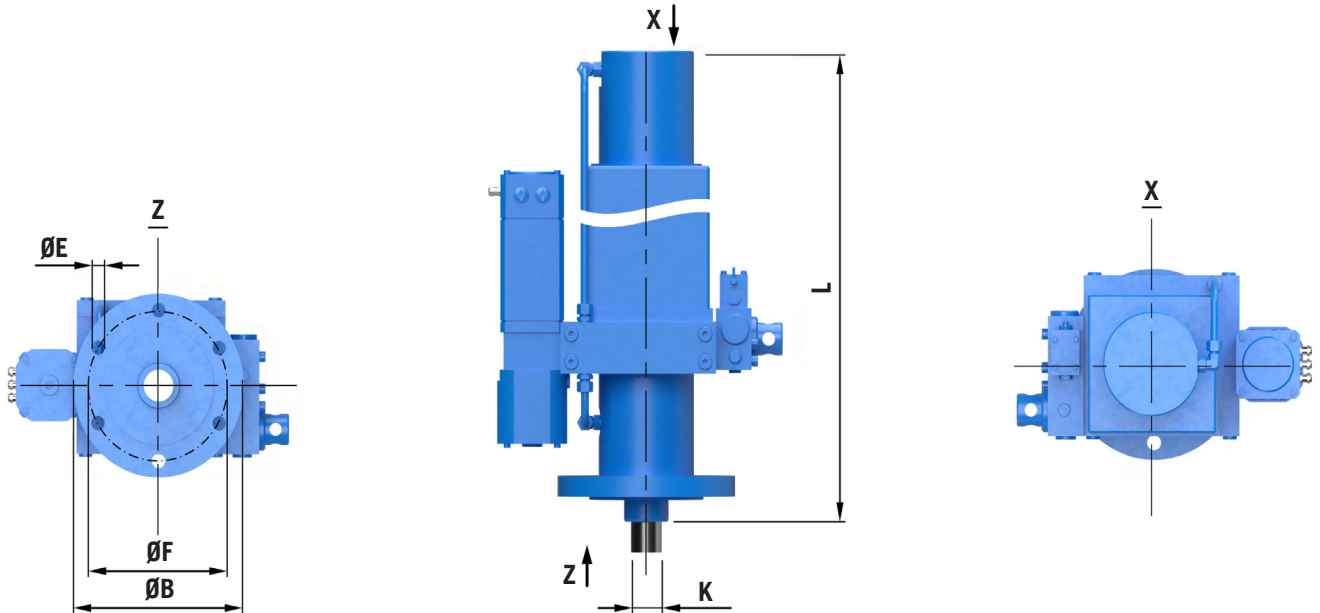
Combine the benefits of electrical and hydraulic actuators, and dispense with time-consuming installation works and commissioning. The combination of a hydraulic cylinder with fitted pump-motor-tank (PMT) unit enables a compact design with high power density with all hydraulic components already included, and keeps hydraulic pipework and connections to a minimum.



General Data

Maximum force:	107 000 N
Maximum operating pressure:	150 bar
Material housing:	Steel, aluminium (others on request)
Ambient temperature:	-20 to 60 °C (others on request)
Possible installation location:	Dry, temporarily submerged, permanent submerged
Protection class:	IP67, IP68
Position feedback:	optional open/closed or analog (4-20mA)
Nominal voltage:	230/400 V
Explosion protection:	ATEX, IECEx (both on request)
Fail-safe-function:	On request
Emergency Operation:	Directly attached hand pump, Portable handpump
Connecting dimensions:	Different types available

Data Sheet EHS-DC



Technical Specifications *

		Nominal diameter in mm													
		200	250	300	350	400	450	500	600	700	800	900	(1000)	(1200)	
Force in kN at 150 bar	OP	11	17	17	27	44	44	44	69	69	69	107	107	107	
	CL	16	25	25	40	64	64	64	100	100	100	156	156	156	
Positioning time in s 1~230V at 50 Hz	0,4 kW	OP	12	22	26	48	88	98	110	205	240	290	-	-	-
		CL	17	32	38	71	130	145	160	295	344	395	-	-	-
	0,8 kW	OP	-	-	9	16	30	33	36	67	78	97	150	175	210
		CL	-	-	13	24	43	48	53	98	115	135	230	255	310
Positioning time in s 3~400V at 50 Hz	0,6 kW	OP	-	-	11	20	37	41	45	84	100	115	200	220	265
		CL	-	-	16	30	54	60	66	125	145	165	285	315	385
	1,1 kW	OP	-	-	-	-	15	17	20	35	40	46	80	90	110
		CL	-	-	-	-	22	25	28	50	60	68	120	130	160
	2x 1,1 kW	OP	-	-	-	-	-	-	-	18	20	23	40	45	55
		CL	-	-	-	-	-	-	-	26	30	34	60	65	80

* Configurations with individually adapted running times/forces available on request.

Dimensions

	Nominal diameter in mm												
	200	250	300	350	400	450	500	600	700	800	900	1000	1200
L	338	402	452	530	610	660	710	847	947	1047	1170	1270	1470
ØB	110	130	130	160	210	210	210	240	240	240	280	280	280
ØE	9	11	11	13	17	17	17	22	22	22	22	22	22
ØF	90	106	106	130	175	175	175	200	200	200	230	230	230
K	M16x1,5	M22x1,5	M22x1,5	M27x2	M33x2	M33x2	M33x2	M42x2	M42x2	M42x2	M48x2	M48x2	M48x2

The technical data given are solely for the purpose of product and function description and are not to be understood as warranted properties under German law.