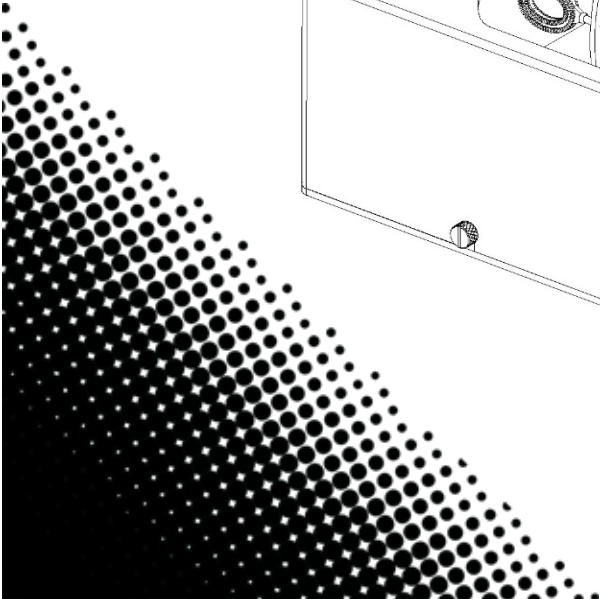
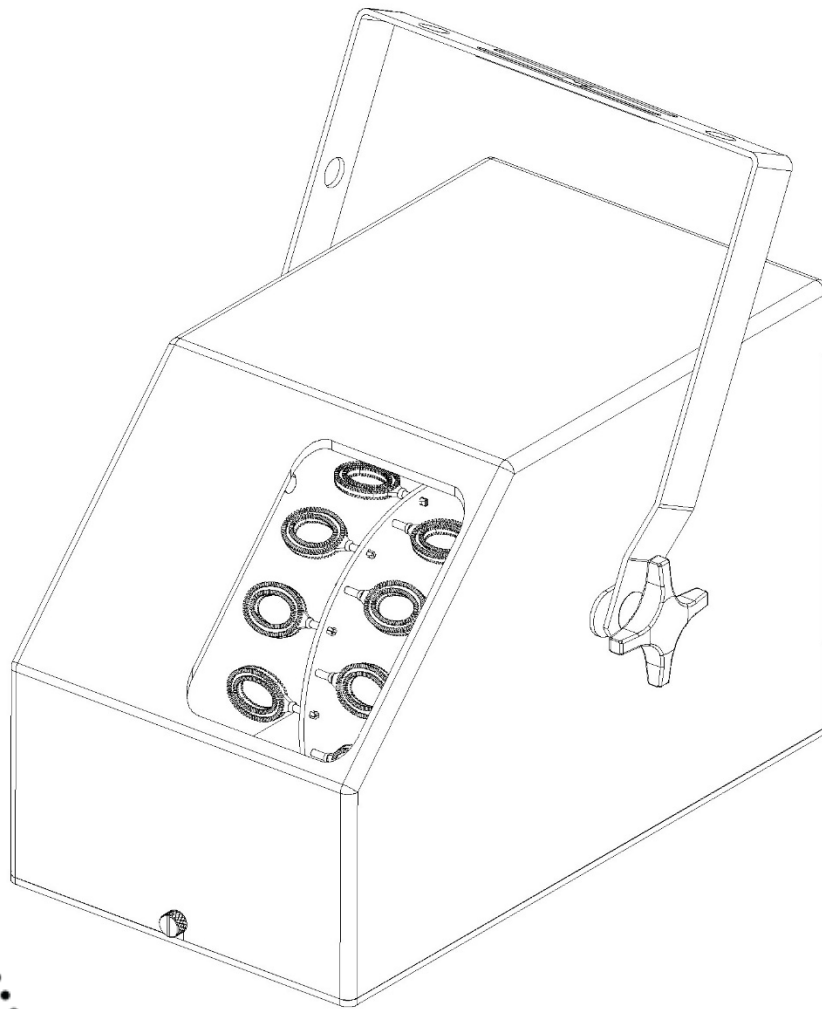


Bubble Machine

User Manual




CHAUVET 

TABLE OF CONTENTS

1. Before You Begin.....	3
What Is Included	3
Unpacking Instructions	3
Claims	3
Text Conventions	3
Symbols	3
Disclaimer	3
Safety Notes	4
2. Introduction.....	5
Product Overview.....	5
3. Setup	6
AC Power.....	6
Fuse Replacement.....	6
Mounting.....	7
Orientation.....	7
Rigging.....	7
4. Operation	8
Fill/ Replace Bubble Fluid.....	8
Operation	8
5. Technical Information	9
Product Maintenance	9
6. Technical Specifications	9
Returns	10
RMA.....	10
Contact Us	11

1. BEFORE YOU BEGIN

What Is Included

- B-250 Bubble Machine
- Hanging Bracket with Mounting Hardware
- Power Cord
- Quick Reference Guide

Unpacking Instructions

Immediately upon receipt, carefully unpack the product and check the container to make sure you have received all the parts indicated above in good condition.

Claims




If the container or the material inside the container (the product and included accessories) appear damaged from shipping, or show signs of mishandling, notify the carrier immediately, not Chauvet, upon receipt. Failure to do so in a timely manner may invalidate your claim with the carrier. In addition, keep the container and all the packing material for inspection.

For other issues such as missing components or parts, damage not related to shipping, or concealed damage, file a claim with Chauvet within 7 days of receiving the merchandise.

Text Conventions

Convention	Meaning
1–512	A range of values
50/60	A set of values of which only one can be chosen
Settings	A menu option not to be modified
Menu > Settings	A sequence of menu options to be followed
<ENTER>	A key to be pressed on the product's control panel
ON	A value to be entered or selected

Symbols

Icon	Meaning
	Critical installation, configuration, or operation information. Failure to comply with this information may render the product partially or completely inoperative, cause damage to the product, or cause harm to the user.
	Important installation or configuration information. Failure to comply with this information may keep the product from working.
	Useful information.

Disclaimer

Chauvet believes that the information contained in this manual is accurate in all respects. However, Chauvet assumes no responsibility and specifically disclaims any and all liability to any party for any loss, damage or disruption caused by any errors or omissions in this document, whether such errors or omissions result from negligence, accident or any other cause. Chauvet reserves the right to revise the content of this document without any obligation to notify any person or company of such revision, however, Chauvet has no obligation to make, and does not commit to make, any such revisions. Download the latest version from www.chauvetlighting.com.

The works of authorship contained in this manual, including, but not limited to, all design, text and images are owned by Chauvet.

© Copyright 2019 Chauvet & Sons, Inc. All rights reserved.

Electronically published by Chauvet in the United States of America.

CHAUVET, the Chauvet logo, Gobo Zoom USB, D-Fi, and D-Fi USB are registered trademarks or trademarks of Chauvet & Sons Inc. (d/b/a Chauvet and Chauvet Lighting) in the United States and other countries. Other company and product names and logos referred to herein may be trademarks of their respective companies.

Safety Notes

These notes include important information about the mounting, usage, and maintenance of this product; read before using the product.



- Always connect the product to a grounded circuit to avoid the risk of electrocution.
- Always disconnect the product from the power source before cleaning or replacing the fuse.
- Make sure the power cord is not crimped or damaged.
- Never disconnect the product from power cord by pulling or tugging on the cord.
- If mounting the product overhead, always secure to a fastening device using a safety cable.
- Make sure there are no flammable materials close to the product when operating.



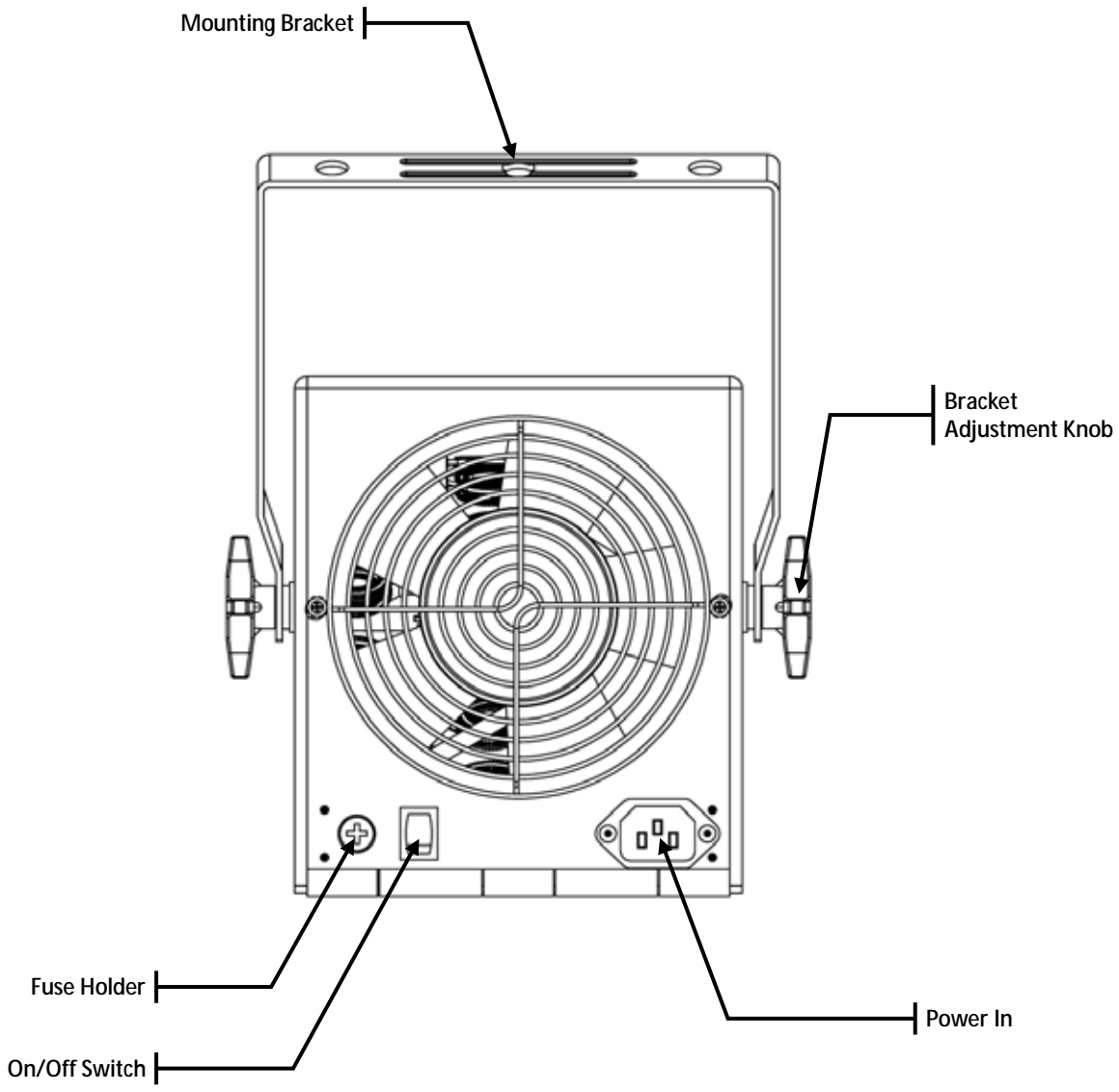
- Always make sure that the voltage of the outlet to which you are connecting the product is within the range stated on the decal or rear panel of the product.
- The product is for indoor use only! (IP20) To prevent risk of fire or shock, do not expose the product to rain or moisture.
- Always install the product in a location with adequate ventilation, at least 20 in (50 cm) from adjacent surfaces.
- Be sure that no ventilation slots on the product's housing are blocked.
- Never connect the product to a dimmer.
- Make sure to replace the fuse with another of the same type and rating.
- Never carry the product from the power cord or any moving part. Always use the hanging/mounting bracket.
- The maximum ambient temperature is 104 °F (40 °C). Do not operate the product at higher temperatures.
- **Do not leave unused fluid in the reservoir for an extended period. The fluid may thicken in the reservoir.**
- In the event of a serious operating problem, stop using the product immediately.
- For best results, use CHAUVET DJ bubble fluid
- Never try to repair the product. Repairs carried out by unskilled people can lead to damage or malfunction. Please contact the nearest authorized technical assistance center.
- To eliminate unnecessary wear and improve its lifespan, during periods of non-use completely disconnect the product from power via breaker or by unplugging it.



- Keep this User Manual for future consultation. If you sell the product to another user, be sure that they also receive this document.

2. INTRODUCTION

Product Overview



3. SETUP

AC Power The B-250 Bubble Machine has a fixed voltage power supply and can work with an input voltage of either 120 VAC, 60 Hz or 230 VAC, 50 Hz, depending on the specific model.

To determine the product's power requirements (circuit breaker, power outlet, and wiring), use the current value listed on the label affixed to the product's back panel, or refer to the product's specification chart. The listed current rating indicates the product's average current draw under normal conditions.

Always connect the product to a protected circuit (circuit breaker or fuse). Make sure the product has an appropriate electrical ground to avoid the risk of electrocution or fire.



To eliminate unnecessary wear and improve its lifespan, during periods of non-use completely disconnect the product from power via breaker or by unplugging it.



Never connect the product to a rheostat (variable resistor) or dimmer circuit, even if the rheostat or dimmer channel serves only as a 0 to 100% switch.

Fuse Replacement



Disconnect the product from power before replacing the fuse.

1. Disconnect the product from power.
2. With a Phillips #2 head screwdriver, unscrew the fuse holder cap from the housing.
3. Remove the blown fuse and replace with a good fuse of the same type and rating.
4. Screw the fuse holder cap back in place and reconnect power.



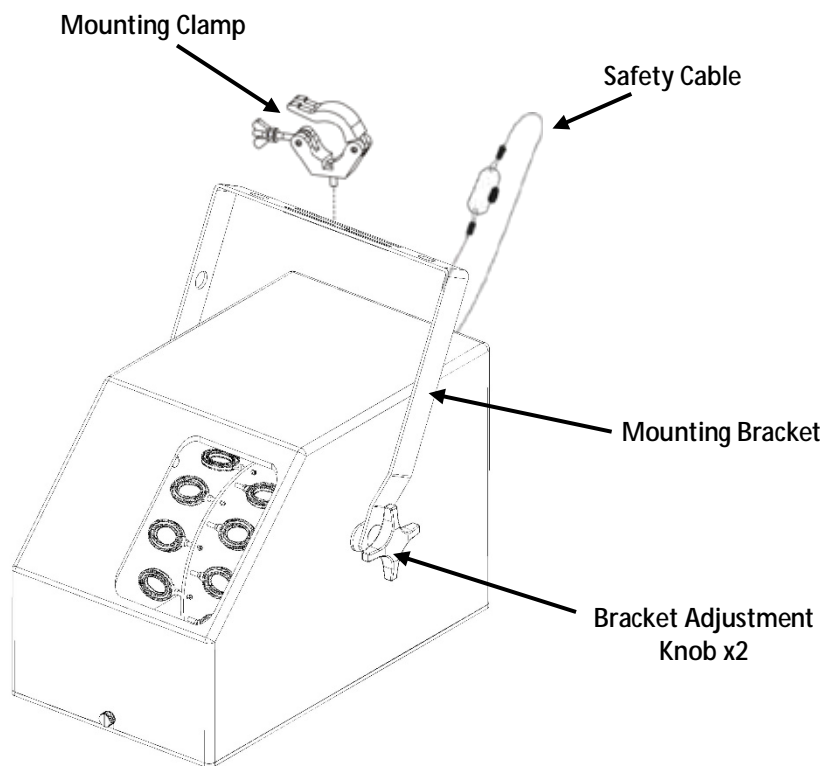
Always replace a blown fuse with the same type and rating.

Mounting Before mounting the product, read and follow the safety recommendations indicated in the [Safety Notes](#) section.

Orientation The Bubble Machine may be mounted in any position; however, make sure adequate ventilation is provided around the product.

- Rigging**
- Before deciding on a location for the product, always make sure there is easy access to the product for maintenance and fluid replenishment purposes.
 - Make sure that the structure or surface onto which you are mounting the product can support the product's weight. See the [Technical Specifications](#) section of this manual for weight information.
 - When mounting the product overhead, always use a safety cable. Mount the product securely to a rigging point, whether an elevated platform or a truss.
 - When rigging the product onto a truss, you should use a mounting clamp of appropriate weight capacity. The bracket has 13-mm holes, which are appropriate for this purpose.
 - The bracket adjustment knobs allow for directional adjustment when aiming the product to the desired angle. Only loosen or tighten the bracket knobs manually. Using tools could damage the knobs.

Mounting Diagram



4. OPERATION

Fill/ Replace Bubble Fluid

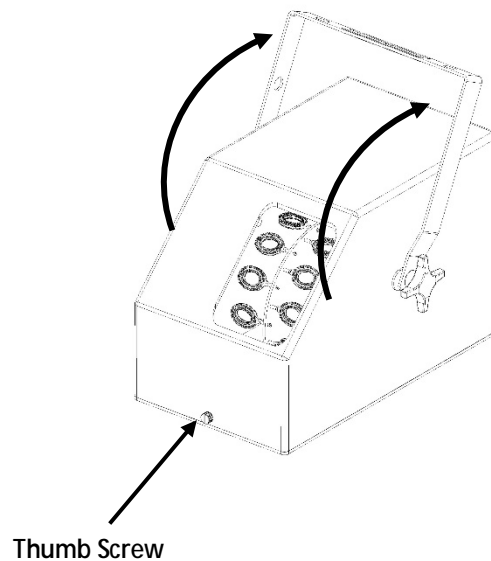
1. Place the Bubble Machine on a level surface.
2. Loosen the thumb screw on the front of the Bubble Machine.
3. Lift the cover.
4. Fill the tank with bubble fluid.

Note: We recommend using CHAUVET bubble fluid (BJU or BJG) which has been specially formulated for use with CHAUVET bubble machines. The tank capacity is 24 oz (0.7 l).

5. Lower the cover.
6. Reinsert and tighten the thumb screw.

Operation

1. Plug the Bubble Machine into a suitable wall outlet.
2. Turn on the Bubble Machine.



Do not leave unused fluid in the reservoir for an extended period. The fluid may thicken in the reservoir. Remove all fluid before packing or shipping.

5. TECHNICAL INFORMATION

Product Maintenance

Dust build-up reduces output performance and can cause overheating. This can lead to reduction of the product's life and mechanical wear. To maintain optimum performance and minimize wear, you should clean your products frequently. However, be aware that usage and environmental conditions could be contributing factors to increase the cleaning frequency.

After every 40 hours of continuous operation or when the machine will be idle for a long time it is recommended to rinse the bubble wands and fluid tank with warm water to prevent a build-up of residue which could reduce performance.

To clean the product, follow the instructions below:

1. Unplug the product from power
2. Loosen the thumbscrew from the front of the unit.
3. Lift the cover to reveal the fluid tank.
4. Empty all bubble fluid from the tank and replace with warm water.
5. Plug the product in and allow it to run as usual until all wands appear to be free of residue.



Always dry the surfaces carefully after cleaning them.



Do not spin the fan using compressed air because you could damage it.

6. TECHNICAL SPECIFICATIONS

Dimensions and Weight	Length	Width	Height	Weight
	12.5 in (318 mm)	7 in (178 mm)	6.5 in (165 mm)	6.8 lb (3.1 kg)
Note: Dimensions in inches rounded to the nearest decimal digit.				
Tank Capacity Consumption	U.S.	UK/Europe		
	24 oz. 108 ml/hr	0.7 l 108 ml/hr		
Power	Power Supply Type	Range	Voltage Selection	
	Model specific	120 VAC, 60 Hz or 230 VAC, 50 Hz	Fixed voltage	
	Parameter	120 V, 60 Hz	230 V, 50 Hz	
	Consumption Operating current Fuse	42 W 0.5 A F 1 A, 250 V	41 W 0.2 A F 1 A, 250 V	
Power I/O	Power I/O	US/Worldwide	UK/Europe	
	Power Cord plug	Edison (US)	Local plug	
Thermal	Maximum External Temp.			
	104 °F (40 °C)			
Ordering	Product Name	Item Code	UPC Number	
	Bubble Machine (120 V)	09071038	781462213862	
	Bubble Machine (230 V)	09071039	781462213879	



Returns

To get support or return a product:

- If you are located in the US, contact Chauvet World Headquarters.
- If you are located in the UK or Ireland, contact Chauvet Europe Ltd.
- If you are located in France, contact Chauvet France.
- If you are located in Germany, contact Chauvet Germany.
- If you are located in Mexico, contact Chauvet Mexico.
- If you are located in Benelux, contact Chauvet Europe BVBA.
- If you are located in any other country, DO NOT contact Chauvet. Instead, contact your local distributor. See www.chauvetlighting.com for distributors outside the US, UK, Ireland, Mexico, or Benelux.



If you live outside the US, UK, Ireland, France, Germany, Mexico, or Benelux, contact your distributor of record and follow their instructions on how to return Chauvet products to them. Visit our website www.chauvetlighting.com for contact details.

RMA Call the corresponding Chauvet Tech Support office and request a Return Merchandise Authorization (RMA) number before shipping the product. Be prepared to provide the model number, serial number, and a brief description of the cause for the return.

You must send the merchandise prepaid, in its original box, and with its original packing and accessories. Chauvet will not issue call tags.

Clearly label the package with the RMA number. Chauvet will refuse any product returned without an RMA number.



Write the RMA number on a properly affixed label. DO NOT write the RMA number directly on the box.

Before sending the product, clearly write the following information on a piece of paper and place it inside the box:

- Your name
- Your address
- Your phone number
- RMA number
- A brief description of the problem

Be sure to pack the product properly. Any shipping damage resulting from inadequate packaging will be your responsibility. As a suggestion, proper UPS packing or double-boxing is always a safe method to use.



Chauvet reserves the right to use its own discretion to repair or replace returned product(s).

CONTACT Us

WORLD HEADQUARTERS – Chauvet

General Information

Address: 5200 NW 108th Avenue
Sunrise, FL 33351
Voice: (954) 577-4455
Fax: (954) 929-5560
Toll free: (800) 762-1084

Technical Support

Voice: (844) 393-7575
Fax: (954) 756-8015
Email: chauvetcs@chauvetlighting.com

Website: www.chauvetlighting.com

UNITED KINGDOM AND IRELAND – Chauvet Europe Ltd.

General Information

Address: Unit 1C
Brookhill Road Industrial Estate
Pinxton, Nottingham, UK
NG16 6NT
Voice: +44 (0)1773 511115
Fax: +44 (0)1773 511110

Technical Support

Email: uktech@chauvetlighting.eu

Website: www.chauvetdj.eu

CHAUVET EUROPE – Chauvet BVBA

General Information

Address: Stokstraat 18
9770 Kruishoutem
Belgium
Voice: +32 9 388 93 97

Technical Support

Email: BNLtech@chauvetlighting.eu

Website: www.chauvetdj.eu

CHAUVET FRANCE

General Information

Address: S3, Rue Ampère
91380 Chilly-Mazarin
France
Voice: +33 1 78 85 33 59

Technical Support

Email: FRtech@chauvetlighting.fr

Website: www.chauvetdj.eu

CHAUVET GERMANY

General Information

Address: Bruno-Bürgel-Str. 11
28759 Bremen
Germany
Voice: +49 421 62 60 20

Technical Support

Email: DEtech@chauvetlighting.eu

Website: www.chauvetdj.eu

MEXICO - Chauvet Mexico

General Information

Address: Av. de las Partidas 34 - 3B
(Entrance by Calle 2)
Zona Industrial Lerma
Lerma, Edo. de México,
CP 52000
Voice: +52 (728) 690-2010

Technical Support

Email: Servicio@chauvet.com.mx

Website: www.chauvetdj.mx

Visit the applicable website above to verify our contact information and instructions to request support. Outside the US, United Kingdom, Ireland, Mexico, France, Germany, or Benelux, contact the dealer of record.