



CW Laser Pumping Source

PH120-CW to PH300-CW

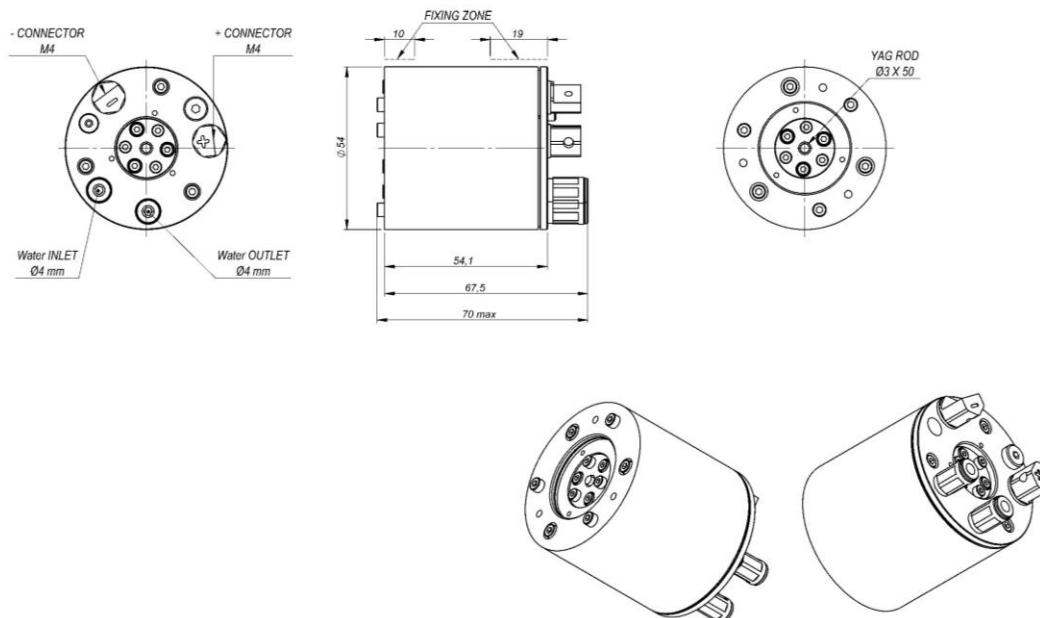
Features:

- CW operation mode
- Free rotation of the pumping chamber
- Solder-free clamping technology inside
- Longer lifetime

Intended for:

- Oscillators
- Regenerative amplifiers
- Multi-pass amplifiers

PH120-CW to PH300-CW | outline



CW Laser Pumping Source
PH120-CW to PH300-CW

Version: 1.0.0.0

Product specification are subject to change without notice.

For complete details, please contact your local MONOCROM sales representative.

UNE EN ISO 9001:2015

MONOCROM S.L.

C/Vilanoveta 6

08800 Vilanova i la Geltrú (Barcelona)

Spain

T. +34 938 149 450

F. +34 938 143 767

E. sales@monocrom.com

www.monocrom.com

PH120-CW to PH300-CW | TECH Specifications

Laser Parameters ^(1,2,3,4)	PH120-6	PH120-3	PH150	PH240	PH300
Type	QCW pumping head				
Wavelength ⁽⁵⁾ [nm]	806 ± 3				
Spectral width [nm]	< 4				
Pump power ^(4,6) [W]	120	120	150	240	300
Temperature coefficient [nm/K]	0.27				
Electrical parameter					
Operating current [A]	20	40	50	40	50
Differential slope efficiency [W/A]	0.97				
Voltage @ connectors ⁽⁷⁾ [V]	12	6	6	12	12
Optical parameter					
Rod material	YAG				
Nd doping concentration [%]	0.3 – 0.8				
Rod dimensions ⁽⁸⁾ , dia. × length [mm × mm]	3 × 50				
Emission wavelength [nm]	1064				
Body					
Coolant flow [l/min]	1.5 – 2.0				
Coolant pressure [bar]	2.0 – 2.5				
Coolant temperature [°C]	20 – 40				
Operating temperature [°C]	non-condensing to 45				
Recommended coolant	90% DI water + 10% ethyleneglycol				
Electrical connections	2× M4 threads				
Water connections, push-in	2× Ø 4 mm				
Laser class product (EN-60825)	4				
Diode lifetime [h]	20000				

1. This is a preliminary specification sheet; validation of specification is in process.
2. If any other requirements are needed, please contact us.
3. Specifications at 20 °C, at the beginning of the lifetime.
4. Specification are subjected to chips availability.
5. Other wavelengths on request.
6. Expected output power per laser stack. Can varies based on current and temperature.
7. Voltage from the power supply must be higher, as due to high current there will be a voltage drop in the cables.
8. Rod diameters up to 8 mm are available up on request.

CW Laser Pumping Source

PH120-CW to PH300-CW

Version: 1.0.0.0

Product specification are subject to change without notice.

For complete details, please contact your local MONOCROM sales representative.

MONOCROM S.L.

C/Vilanoveta 6

08800 Vilanova i la Geltrú (Barcelona)

Spain

T. +34 938 149 450

F. +34 938 143 767

E. sales@monocrom.com

www.monocrom.com