

TYPE 501

Pressure switch with changeover switch

Height 70mm
Thread length 9mm
Diameter 49



	ADJUSTMENT RANGE [mbar]	OVERPRESSURE SAFETY	ELECTRICITY MAX.	ORDER NUMBER
DIAPHRAGM	10 – 50	1 bar	2 Amp.	501-50-ABC
	10 – 100			501-100-ABC
	20 – 200	2 bar	5 Amp.	501-200-ABC
	50 – 500			501-500-ABC
	100 – 1000	5 bar	501-1000-ABC	

REPRODUCIBILITY	~ 3-5%	VOLTAGE	250 Volt
HYSTERESIS	~ 5-10%	TYPE OF PROTECTION	IP 55
SWITCHING ELEMENT	Change over contact	PERMISSIBLE TEMP.	-20° to +80° C
SWITCHING FREQUENCY	200/min	WEIGHT	0,185 kg

A Thread

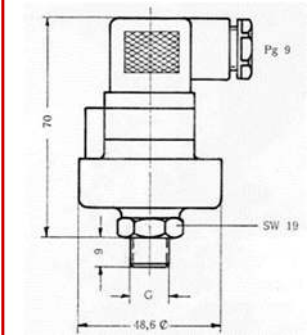
	A	B	APPLICATION
G 1/8	1	DIAPHRAGM	NBR 1 Hydraulic oil, Machine oil, Heating oil, sea water
G 1/4	2		FKM (VITON) 2 Hydraulic fluids, Petrol, Alcohol, Salt and Sulphuric acid
			EPDM (APTK) 3 Hydrogen, Brake fluid, Acetylene, etc.
			SILICONE 4 Food, Water etc.

C Body material

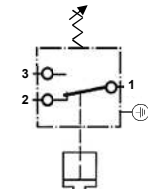
	C	D
BRASS / ZINC DIE CAST	6	MICROSWITCH WITH GOLD PLATED CONTACTS 5
		WATERPROOF MICROSWITCH WITH GOLD PLATED CONTACTS 6

The Open, Close or Change function refers to increasing pressure.

A Kant pressure switch Type 501 has an integrated electric change over switch. When pressure is applied, a diaphragm is deformed or a piston is displaced via a lifting movement. The deformation or movement depends on an adjustable spring preload. When the switching point is reached, the diaphragm or piston has undergone a defined movement which actuates the switch and opens or closes the electrical circuit. Specific pressure values can be monitored via the switching signal.



CONNECTION:



→ Order Number Example:

ABCD
501-XX-1260

- Customized version
- Material
- Sealing element
- Thread
- Setting range
- Type