

PRODUCT inductive proximity switch
flush

design 77 x 20 x 23mm

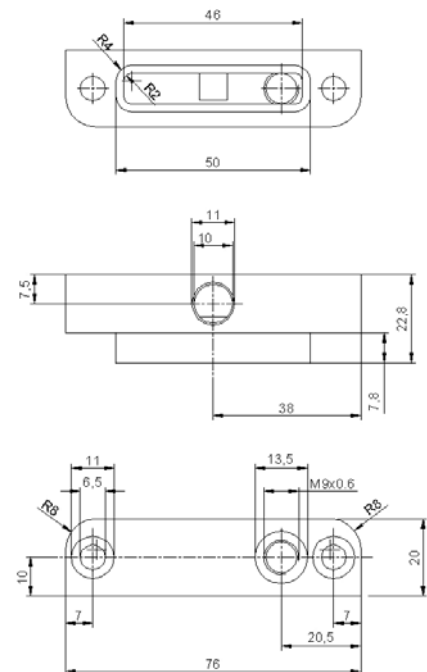


- ✓ special device for mounting into tools
- ✓ robust aluminium housing
- ✓ integrated amplifier
- ✓ short-circuit and reverse polarity protection
- ✓ connection with lemo-connector

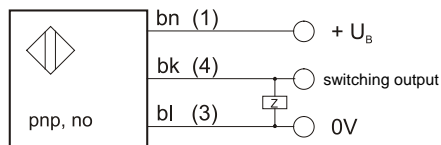
technical data

operating voltage	10 ... 30V DC
voltage drop (max. load)	< 2.5V DC
current consumption	< 10 mA
current load	120mA
switching output	pnp, no
nominal sensing range Sn	0.9mm
real sensing range Sr	Sn ±0.2mm
operating temperature	0 ... +140 °C
system of protection	IP65
connection	lemo-connector 3-pin
housing material	AlMg4.5Mn0.7
housing color	red anodized
design	(L x W x H) 77x20x23mm
fitting cable socket	VK12A422

design



electrical connection:



bn=brown, bk=black, bl=blue
terminal markings of the cable socket in brackets

article-no.: **IB98A330**

notes: Never use these devices in applications where the safety depends on their functionality!