



Size Range

110 x 80 x 25 mm
AC AXIAL FAN

4,33 x 3,15 x 1 "

TECHNICAL DATA

Characteristics

- Weight: 0,3 Kg / 0,66 Lb
- Housing in ZAMAK
- Impeller in plastic UL 94 V-0
- L-10 life expectancy at 40°C: 80.000 hours
- Operating temperature range: -10 / +70°C
- Storage temperature: -54 / +85°C
- Connection: Leads
- Impedance protected
- IP20

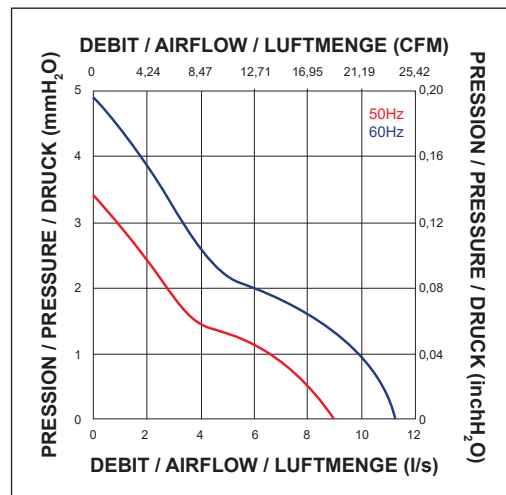
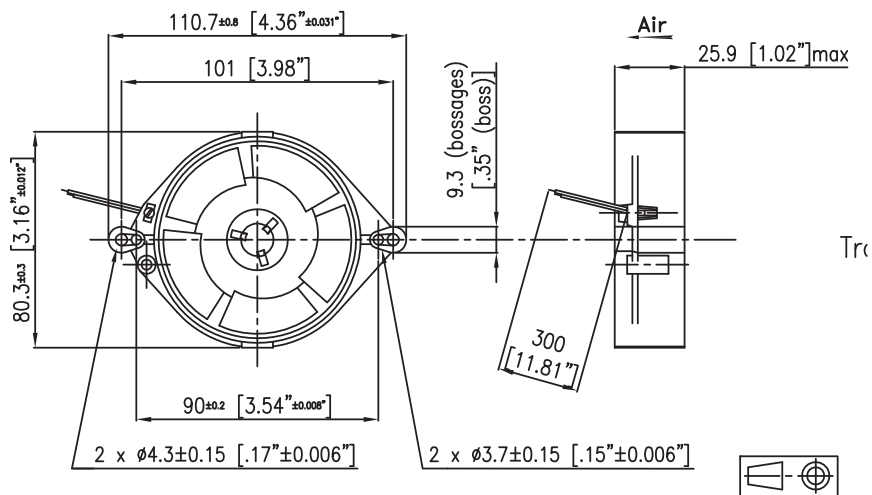
Options

- Other IP levels
- Salt spray protection
- Shocks and vibrations protection
- Marine application
- Wide temperature range
- Other voltages

ELECTRICAL AND AERAILIC DATA

Part Number	Voltage Frequency		Nb Phases	Airflow		Pressure		Nominal speed RPM	Noise level LP dBA	Nominal current mA	Starting current mA	power W	Capacitor μF
	V	Hz		l/s	CFM	mm H _o	inch H _o						
146DF0182001	115	50	1	9,00	19,08	3,30	0,13	2500	26	105	120	10,00	
	115	60	1	11,00	23,32	4,80	0,19	3100	32	90	110	8,00	
146DF0181001	220	50	1	9,00	19,08	3,30	0,13	2500	26	60	70	11,00	
	220	60	1	11,00	23,32	4,80	0,19	3100	32	50	60	9,00	

DRAWING AND AIRFLOW CURVE



Non contractual document. All specifications are subject to change without prior notice. For professional use only. Please refer to the conditions of use of our catalogue.