



AC 12P



SIZE :

120x120x25mm (4.72"x4.72"x0.98")

CONSTRUCTION :

- Die-cast aluminum housing
- Glass fiber reinforced plastic:
Impeller are UL 94V-0 rating
- Impedance protected
- Leader wire or Terminal is available

OPERATING TEMPERATURE :

Ball bearing - 30°C to +75°C
Sleeve bearing - 10°C to +70°C

WEIGHT :

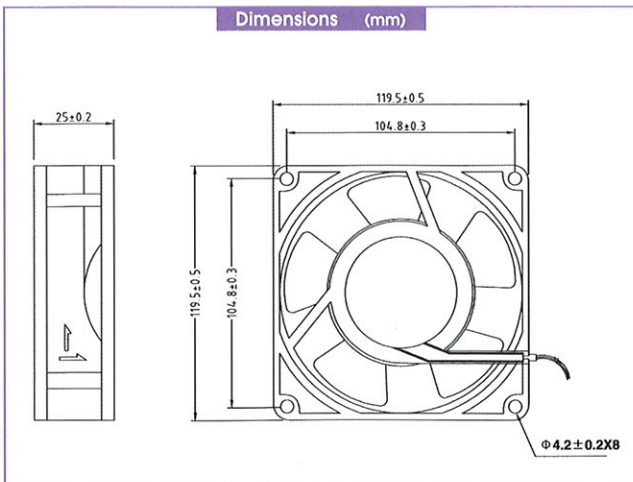
330 grams

Specifications

Specifications are subject to change without notice

MODEL NO.	BEARING	RATED VOLTAGE	FREQUENCY	MAX. RATED CURRENT	MAX. INPUT POWER	SPEED	MAX. AIR FLOW		MAX. AIR PRESSURE		NOISE
		VAC	Hz	mA	W	R.P.M.	m ³ /min	CFM	mmH ₂ O	IN H ₂ O	
12P-115LB 12P-115LS	Ball Sleeve	115	50/60	150/130	14/13	1600±15% /2000	1.3/1.5	46.3/52.7	1.9/2.1	0.1/0.1	29/34
12P-115HB 12P-115HS	Ball Sleeve	115	50/60	170/150	16/14	2000/2400	1.6/1.7	55.0/60.4	2.7/2.5	0.1/0.1	39/42
12P-230LB 12P-230LS	Ball Sleeve	230	50/60	90/80	18/16	1600/2000	1.3/1.5	46.3/52.7	1.9/2.1	0.1/0.1	29/34
12P-230HB 12P-230HS	Ball Sleeve	230	50/60	95/85	18/16	2200/2600	1.6/1.7	55.0/60.4	2.7/2.5	0.1/0.1	39/42

Dimensions (mm)



Performance Curve

